

STATE	PROJECT NO.	YEAR	SHEET NO.	TOTAL SHEETS
KANSAS	87 N-0361-01	2011	132	169

MKEC
ENGINEERING
CONSULTANTS, INC.
411 N. WEBB ROAD
WICHITA, KS. 67206
316-684-9600

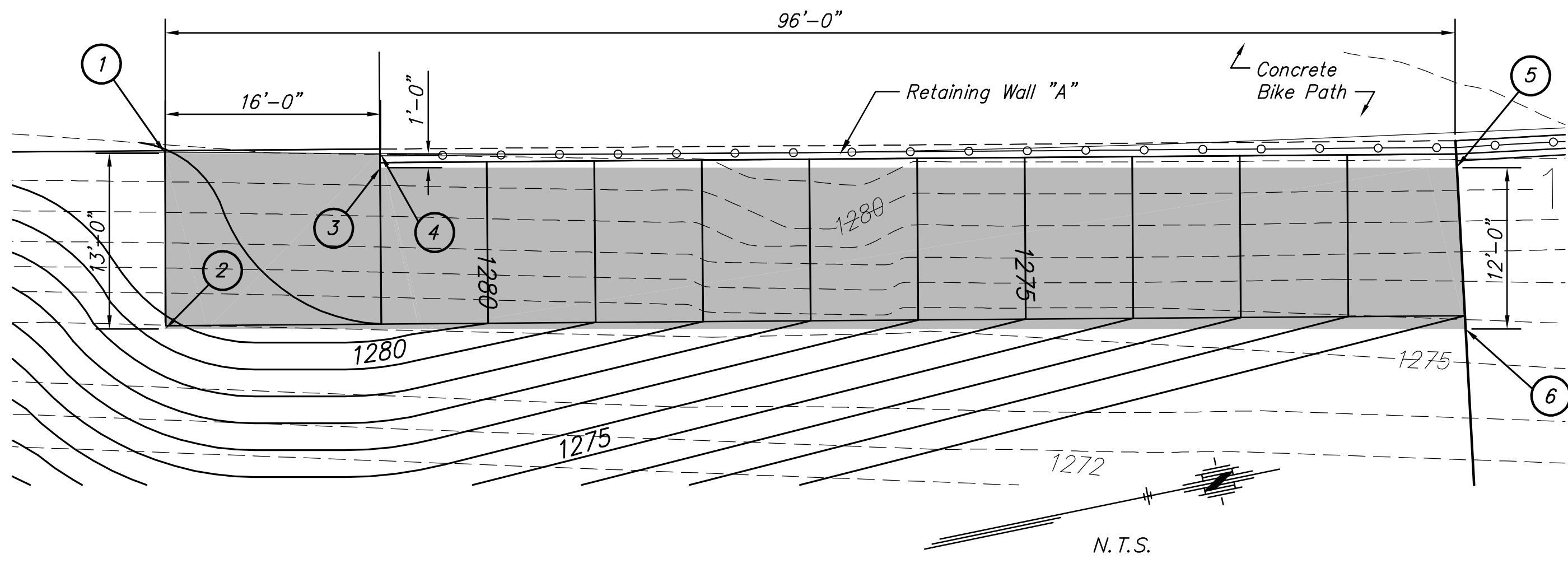
**LINCOLN STREET BRIDGE AND
DAM IMPROVEMENTS OVER
ARKANSAS RIVER**

**ARTICULATED
CONCRETE
BLOCK
REVTMENT**
SHEET TITLE
472-84883
PROJECT NUMBER

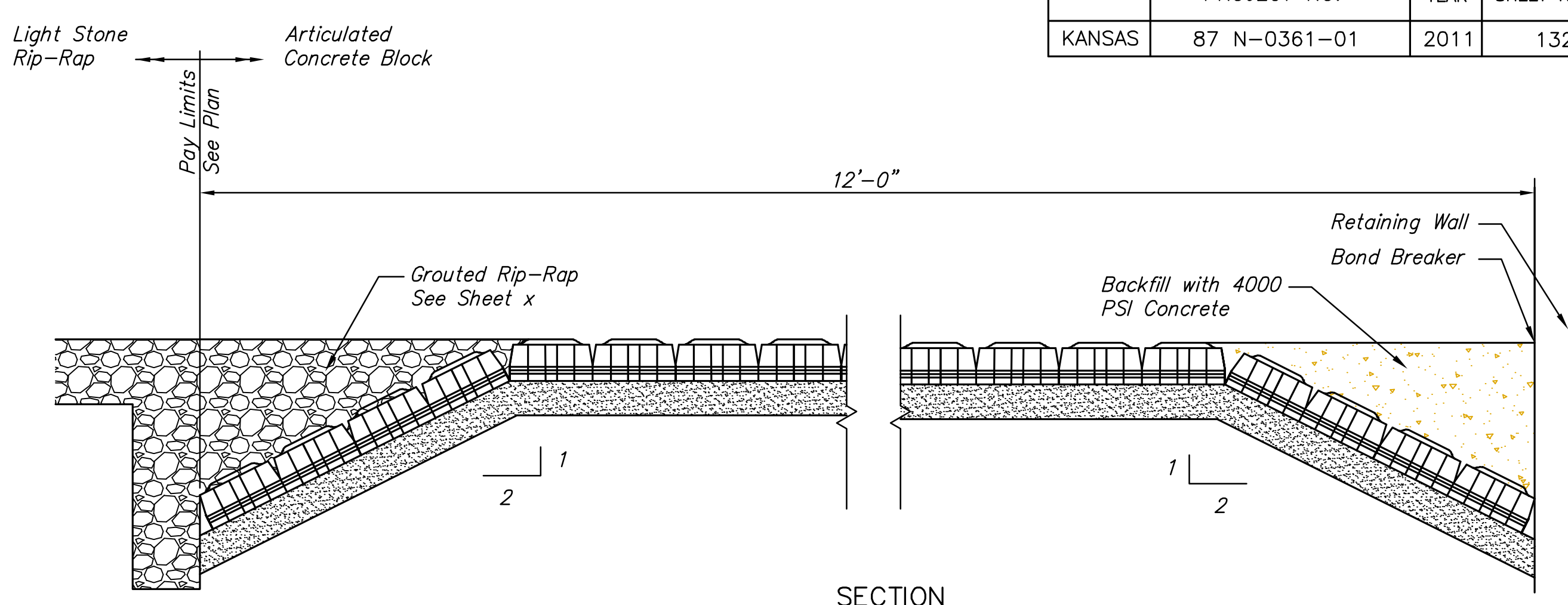
JRA
DESIGN BY
DPG
DRAWN BY
KJS
CHECKED BY

ISSUED
1/24/2011
REVISED

SHEET NO.
132 of 169



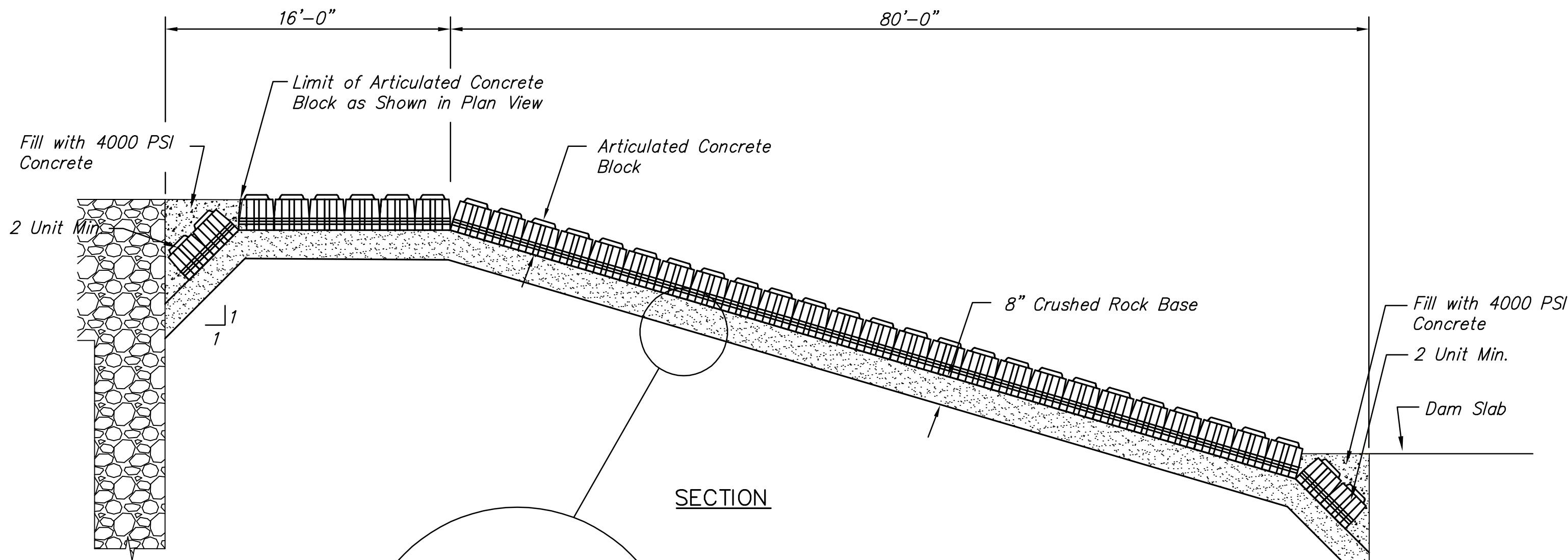
PLAN



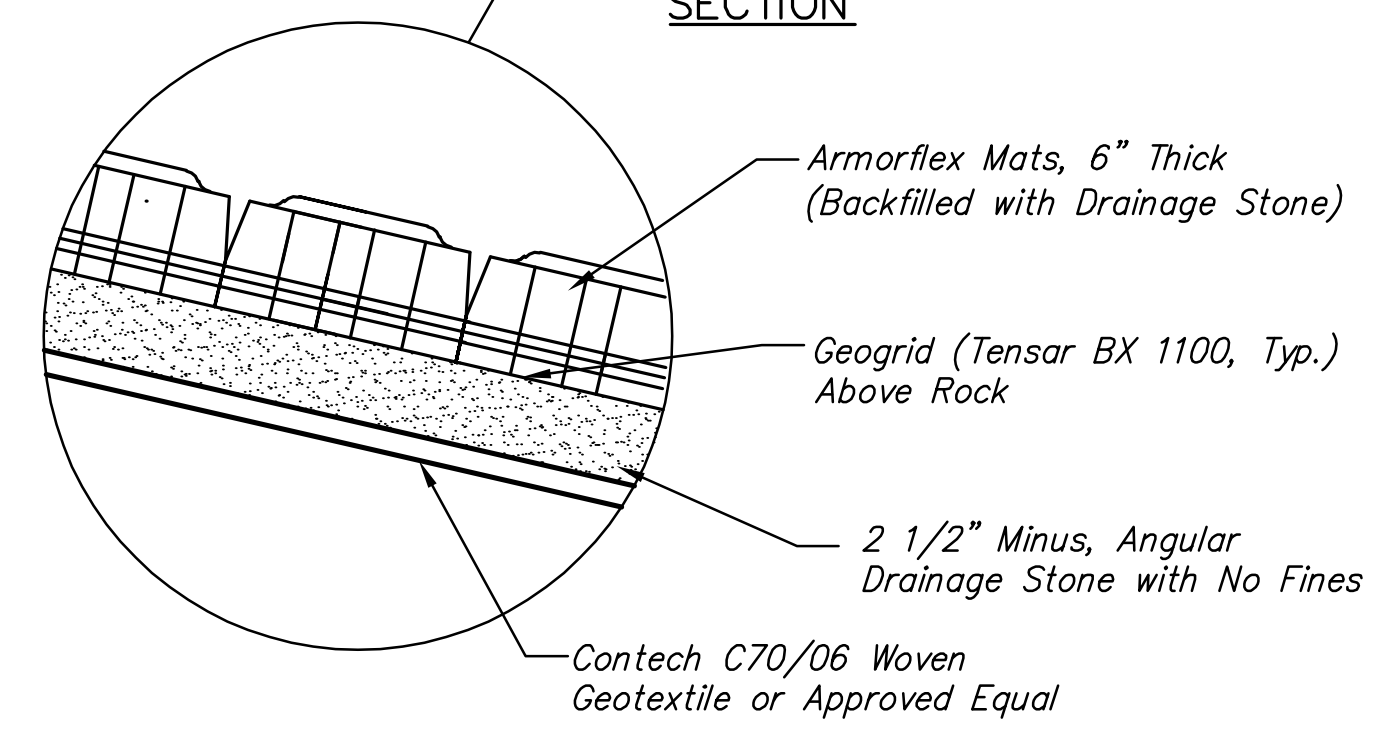
SECTION

SUMMARY OF QUANTITIES						
POINT NO.	DAM STATION/OFFSET	NORTHING	EASTING	ELEVATION	AREA (S.Y.)	PROJECT
1	48+66.66 / 156.52' Rt.	1680263.6549	1646984.0454	1281.00	130.5	Dam
2	48+79.71 / 157.24' Rt.	1680260.5940	1646996.7598	1280.00		
3	48+68.61 / 140.56' Rt.	1680279.0013	1646988.8484	1281.00		
4	48+67.61 / 140.50' Rt.	1680279.2354	1646987.8762	1281.00		
5	48+85.01 / 60.62' Rt.	1680356.8047	1647007.5858	1271.00		
6	48+73.00 / 60.65' Rt.	1680354.6632	1647019.4064	1271.00		

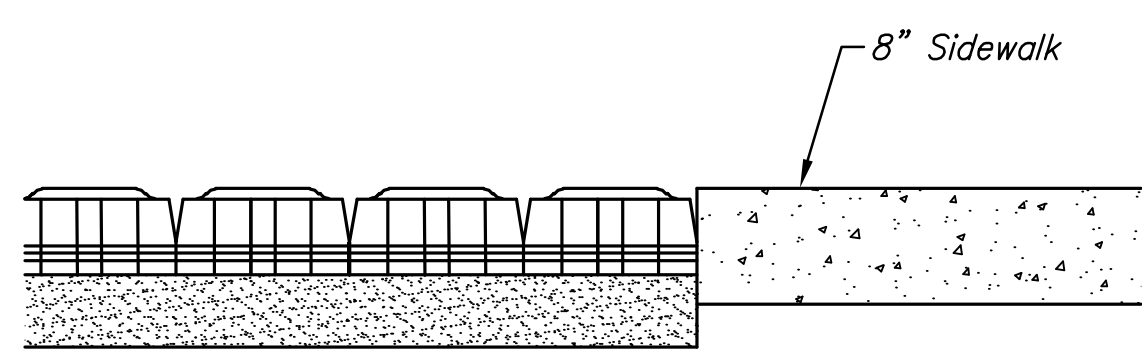
PLAN VIEW ON ARTICULATED CONCRETE BLOCK



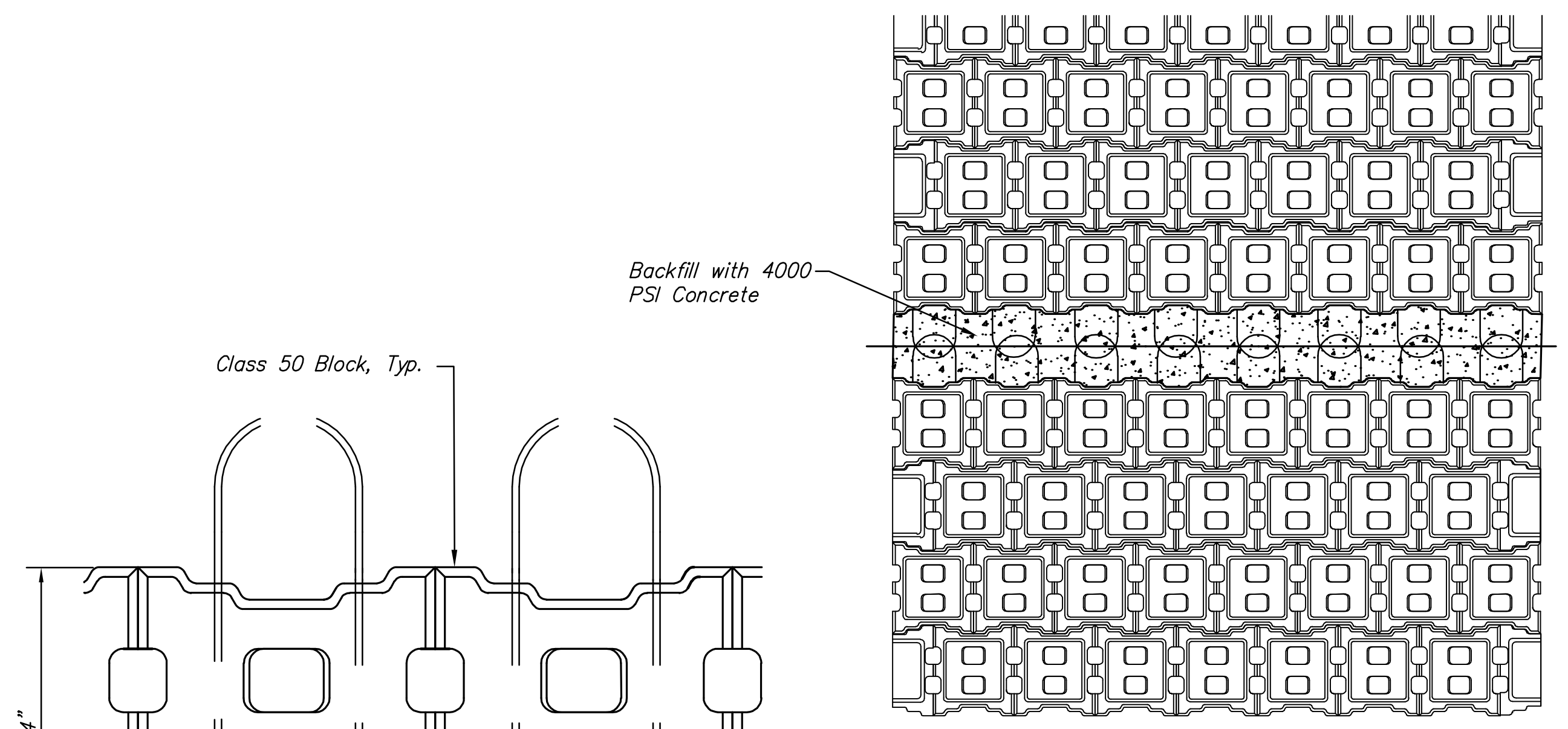
SECTION



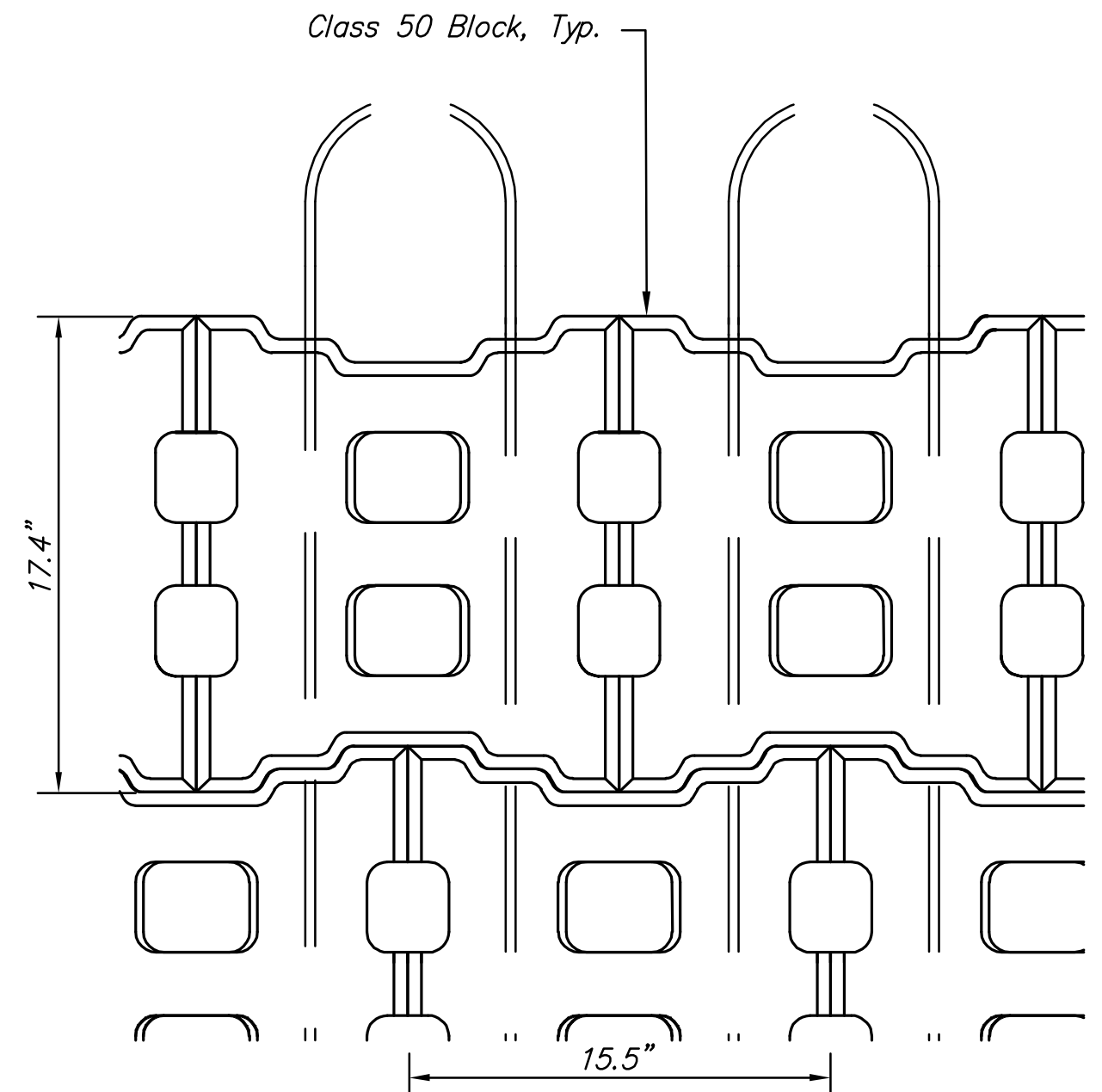
ELEVATION



SECTION ABUTTING SIDEWALK

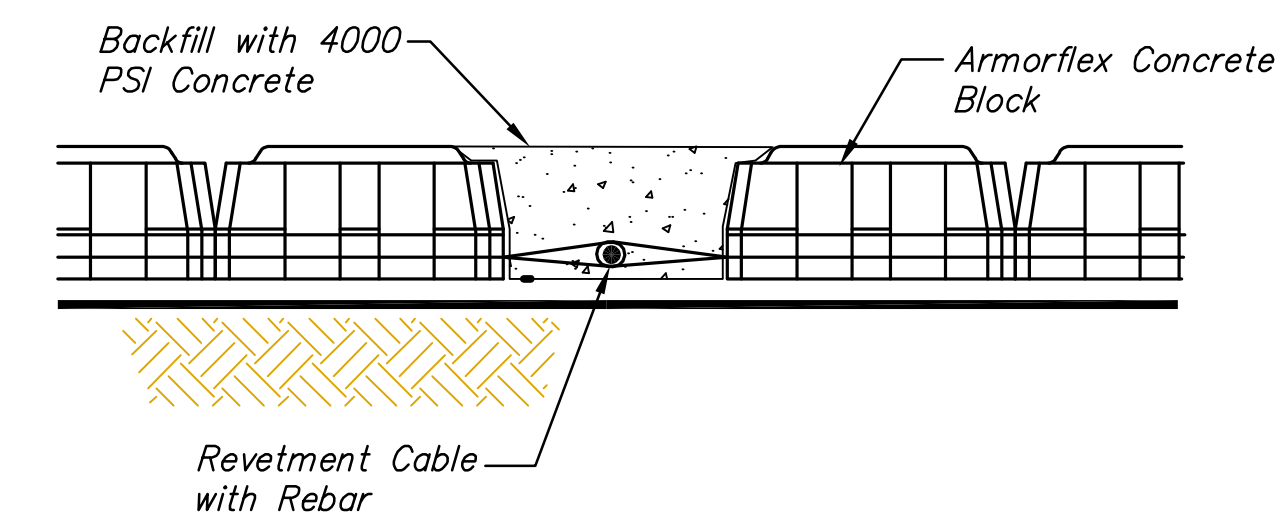


PLAN



ELEVATION

BLOCK DETAIL



SECTION

MAT SPLICE DETAIL

PLOTTED: Tuesday, January 25, 2011 8:58 AM

J:\CIVIL\07433\DWG\07433\DWG\DETAILS\07433 ART CONC BLK DTL.DWG