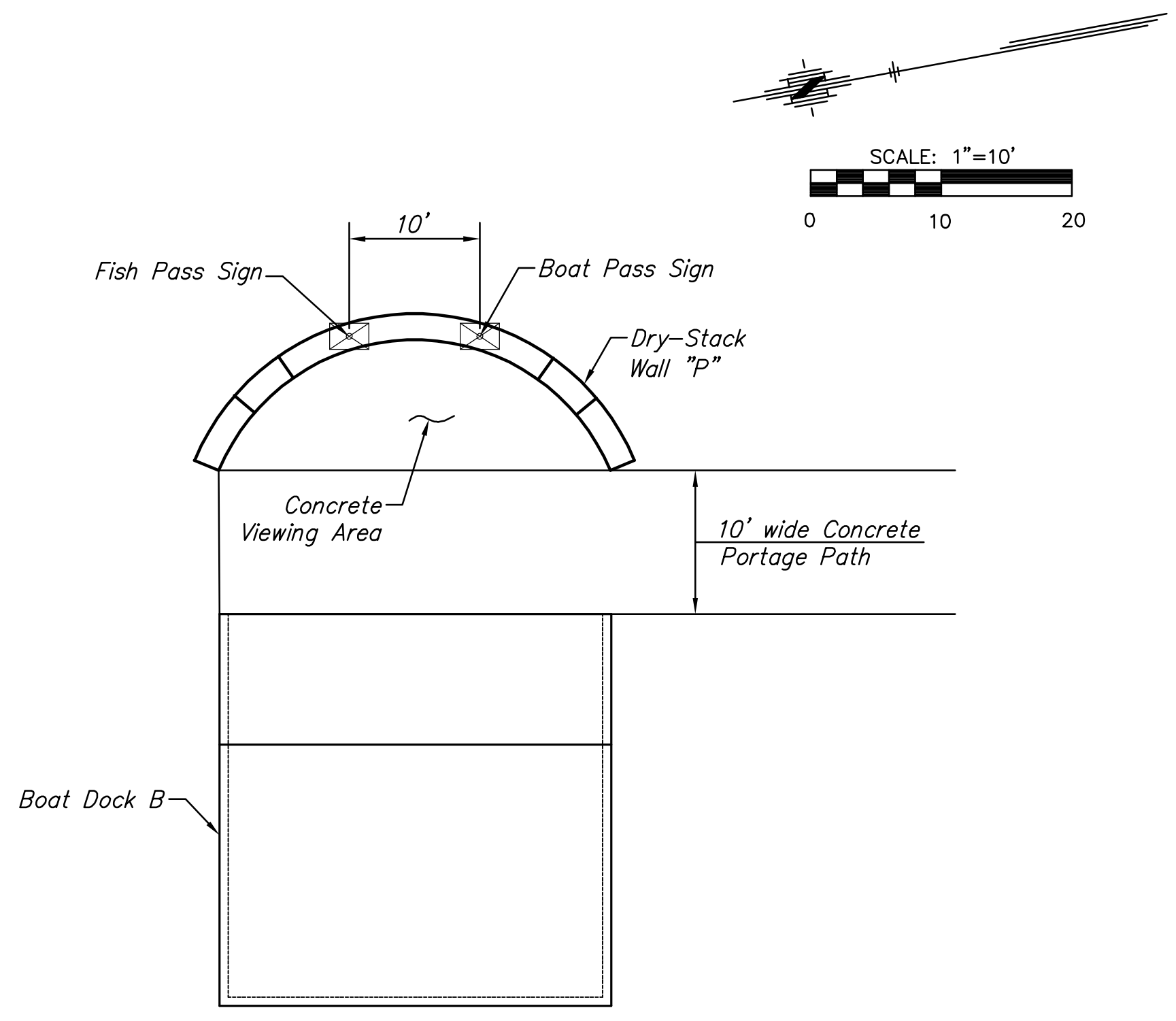


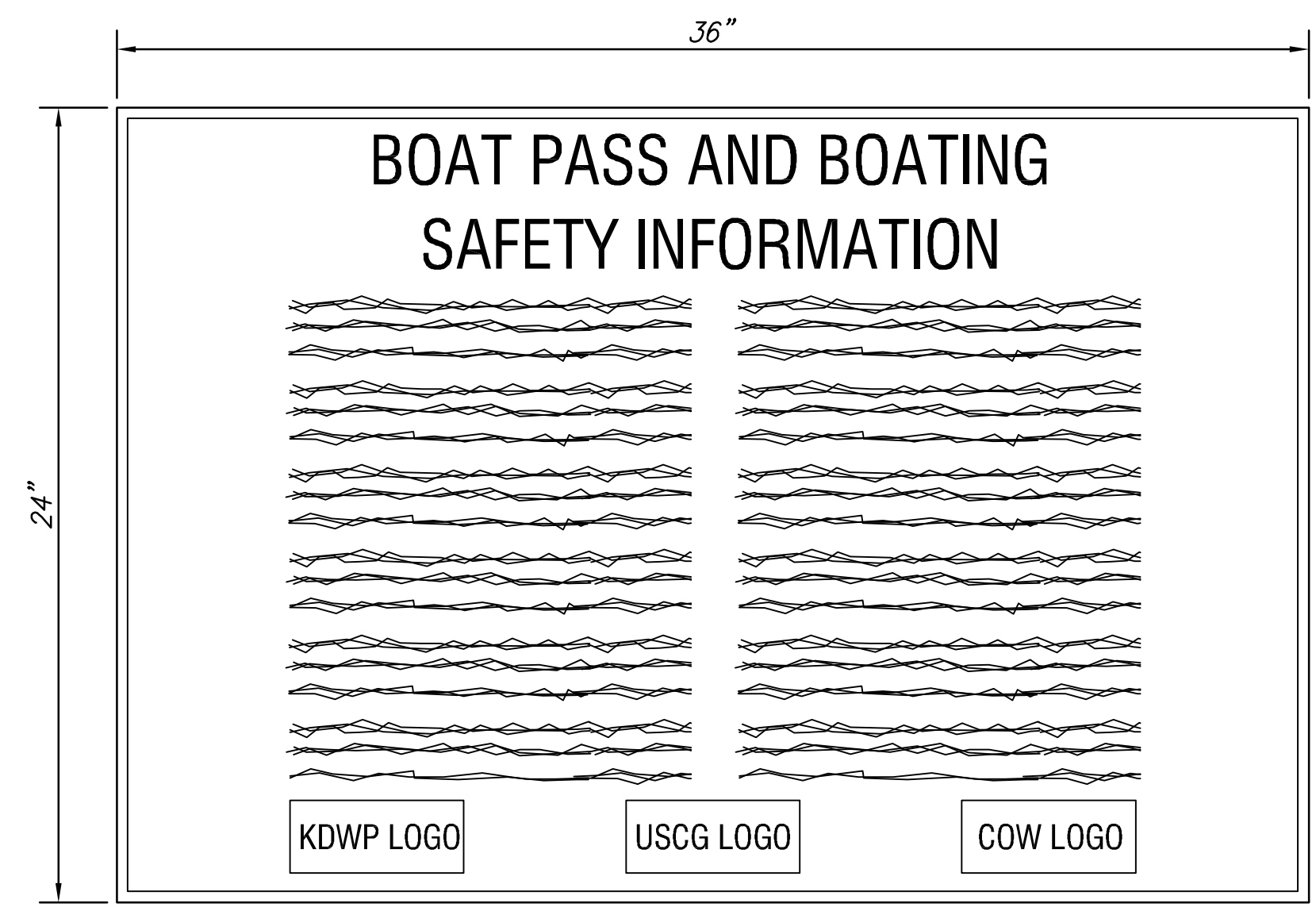
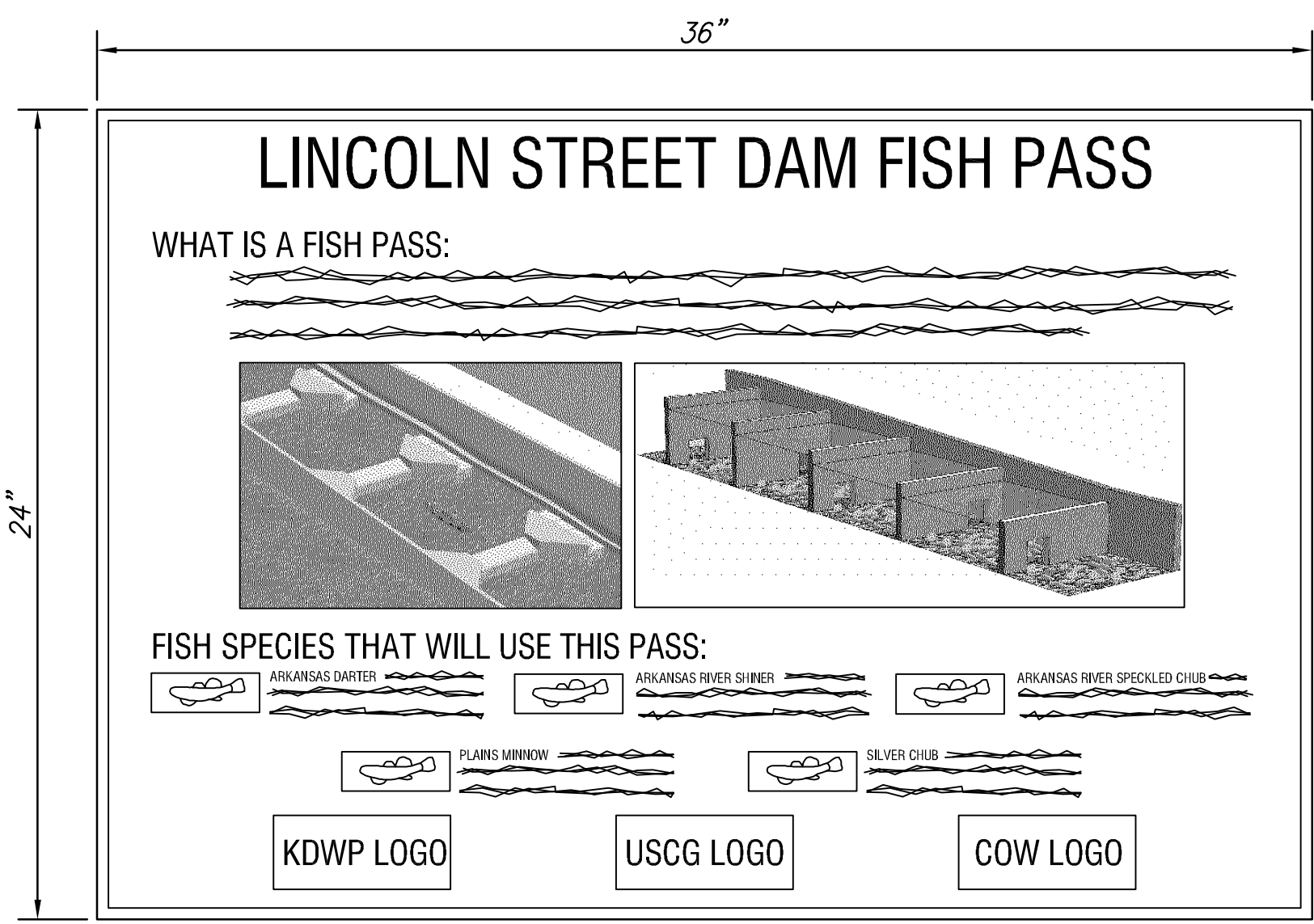
STATE	PROJECT NO.	YEAR	SHEET NO.	TOTAL SHEETS
KANSAS	87 N-0361-01	2011	139	169

MKEC
ENGINEERING
CONSULTANTS, INC.
411 N. WEBB ROAD
WICHITA, K.S. 67206
316-684-9600

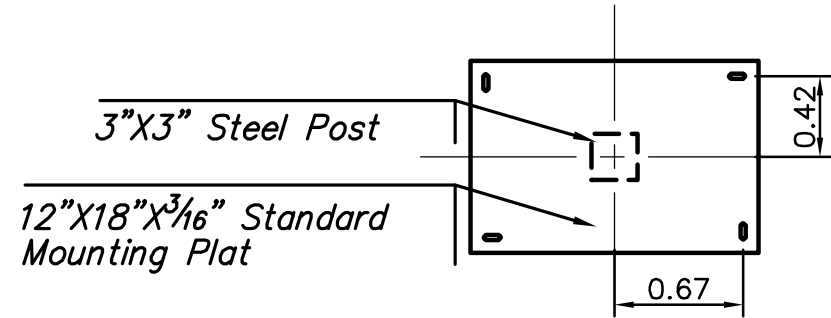
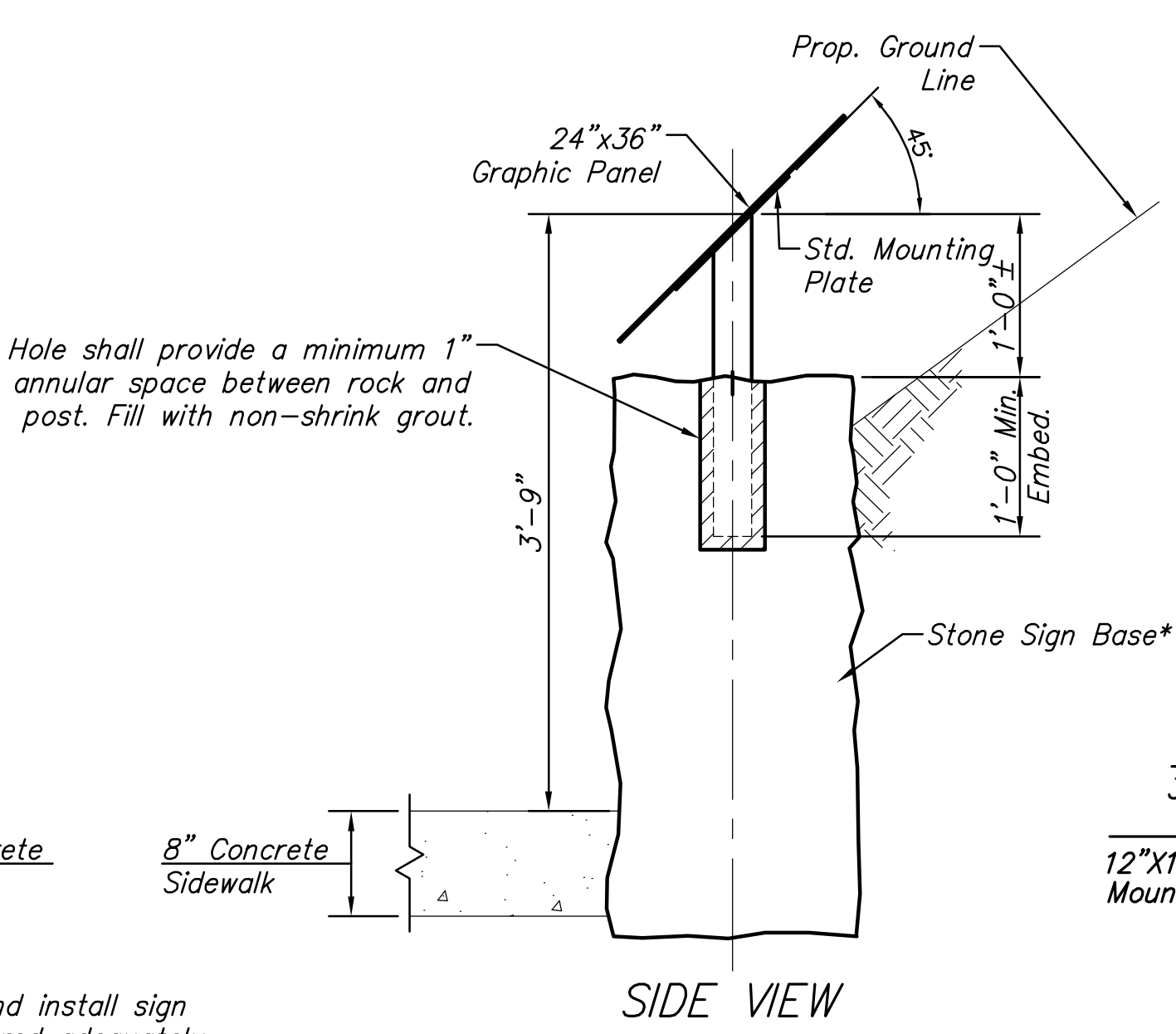
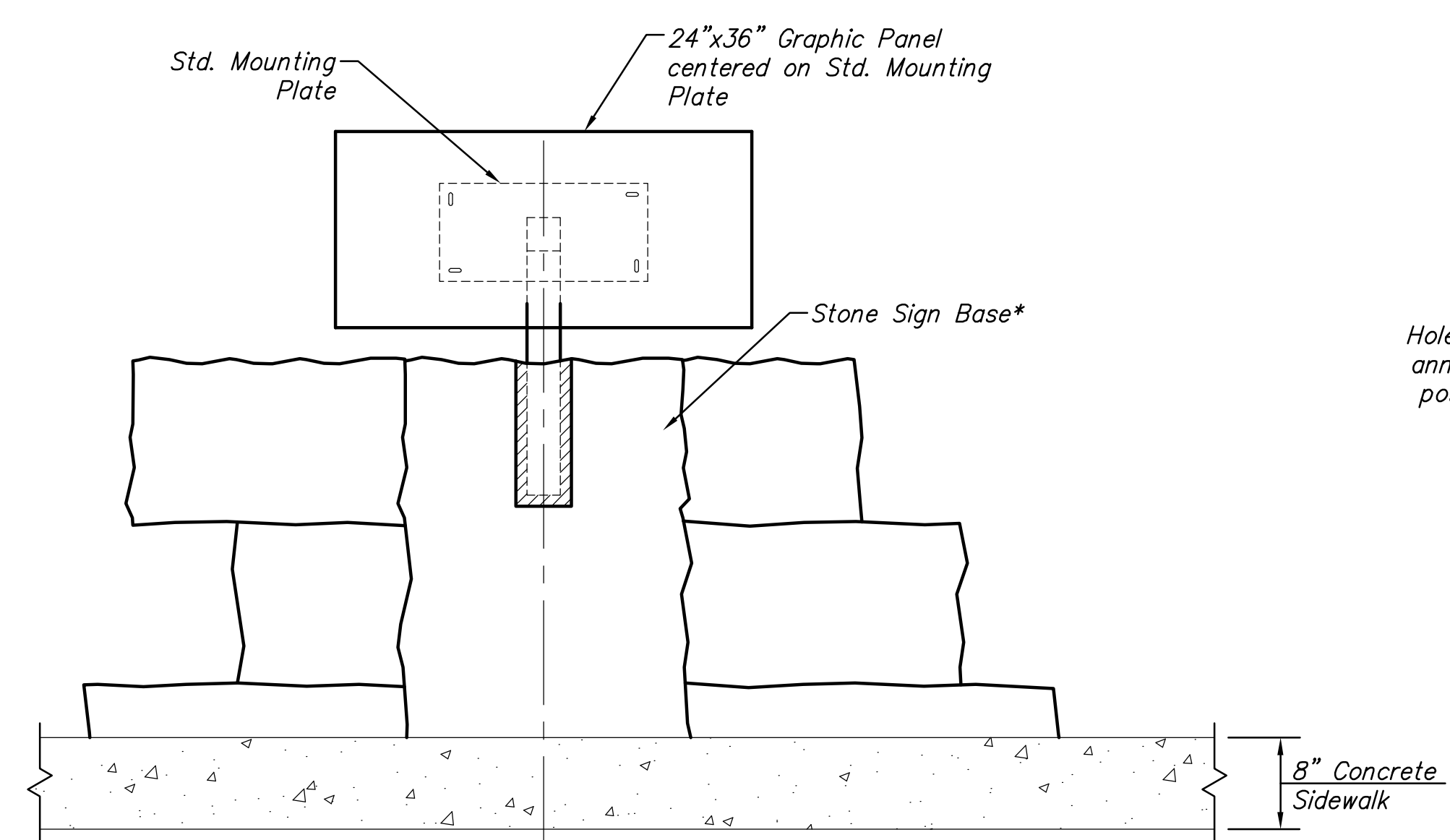
**LINCOLN STREET BRIDGE AND
DAM IMPROVEMENTS OVER
ARKANSAS RIVER**



INFORMATION SIGNING PLAN



GRAPHIC PANEL LAYOUT



STD. MOUNTING PLATE

GENERAL NOTES FOR INFORMATIONAL SIGNING

1. FINAL GRAPHICS FOR INFORMATIONAL SIGNS TO BE COORDINATED THROUGH THE ENGINEER.
2. INFORMATIONAL SIGNS SHOULD BE MANUFACTURED BY FOSSIL INDUSTRIES. CONTACT MARK DECASARE, PHONE NUMBER - 631-254-9200.
3. GRAPHIC DESIGN FOR INFORMATIONAL SIGNS SHOULD BE BY FOSSIL INDUSTRIES. CONTACT MARK DECASARE, PHONE NUMBER - 631-254-9200.
4. THE STEEL POLE AND MOUNTING PLATE SHALL BE PREPARED AND PAINTED IDENTICALLY TO THE PEDESTRIAN RAIL.

* Place one stone (per sign) vertical and install sign in center of stone. Stone shall be secured adequately through interlock with adjacent horizontal stones and depth of bury.

INFORMATION SIGNING PLAN

PLOTTED: Tuesday, January 25, 2011 8:58 AM

J:\CIVIL\07433\DWG\PLANS\07433 INFO SIGNING DTLS.DWG

INFORMATION SIGNING DETAILS

SHEET TITLE	
PROJECT NUMBER	472-84883

DESIGN BY	JRA
DRAWN BY	PJD
CHECKED BY	JRA

ISSUED	1/24/2011
REVISED	

SHEET NO.	139 of 169
-----------	------------