

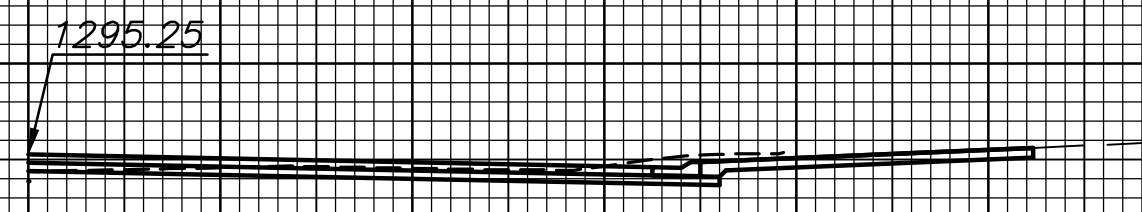
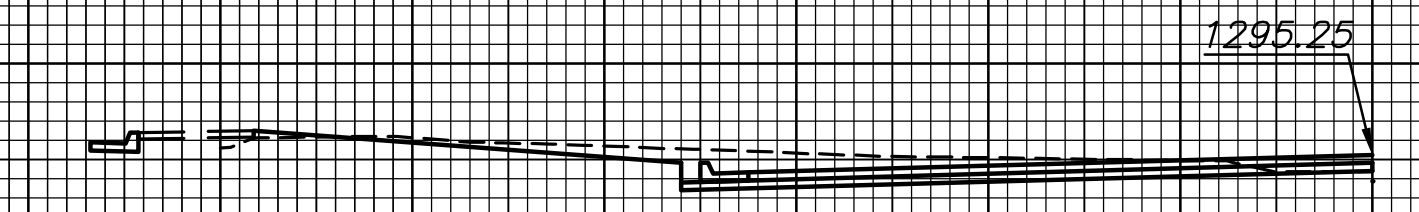
100 80 60 40 20 0 0 20 40 60 80

STATE	PROJECT NO.	YEAR	SHEET NO.	TOTAL SHEETS
KANSAS	87 N-0361-01	2011	155	169

**MKEC**  
ENGINEERING  
CONSULTANTS, INC.  
411 N. WEBB ROAD  
WICHITA, K.S. 67206  
316-684-9600

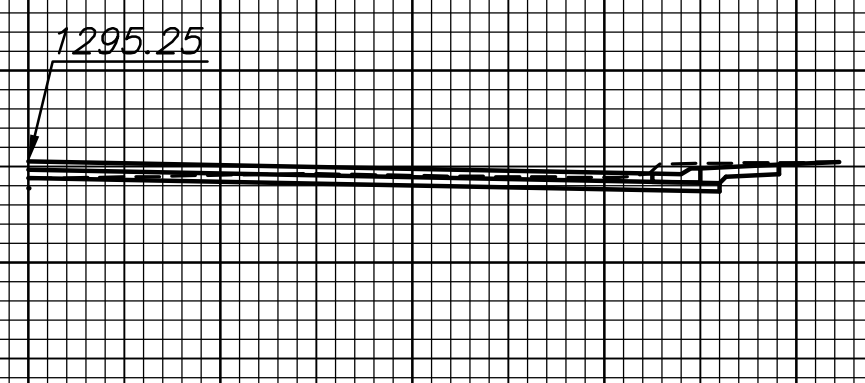
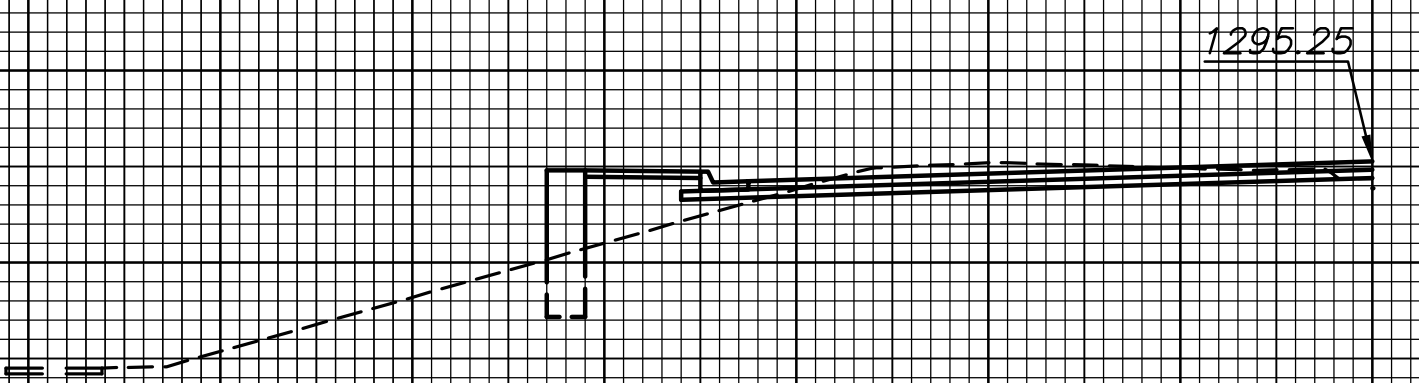
**LINCOLN STREET BRIDGE AND  
DAM IMPROVEMENTS OVER  
ARKANSAS RIVER**

1300  
1290  
STA "D" CUL-DE-SAC



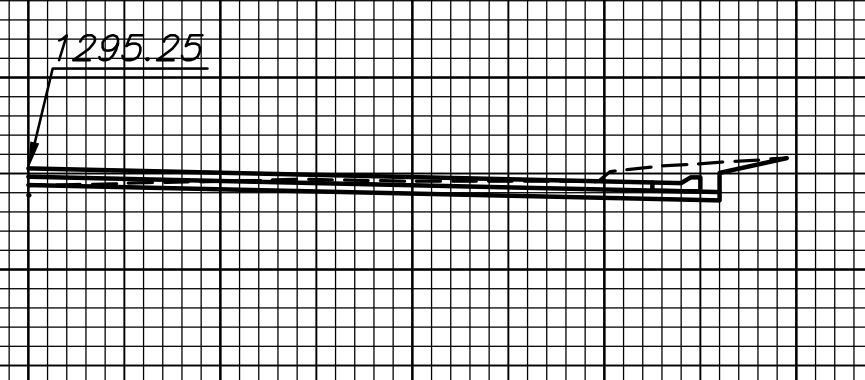
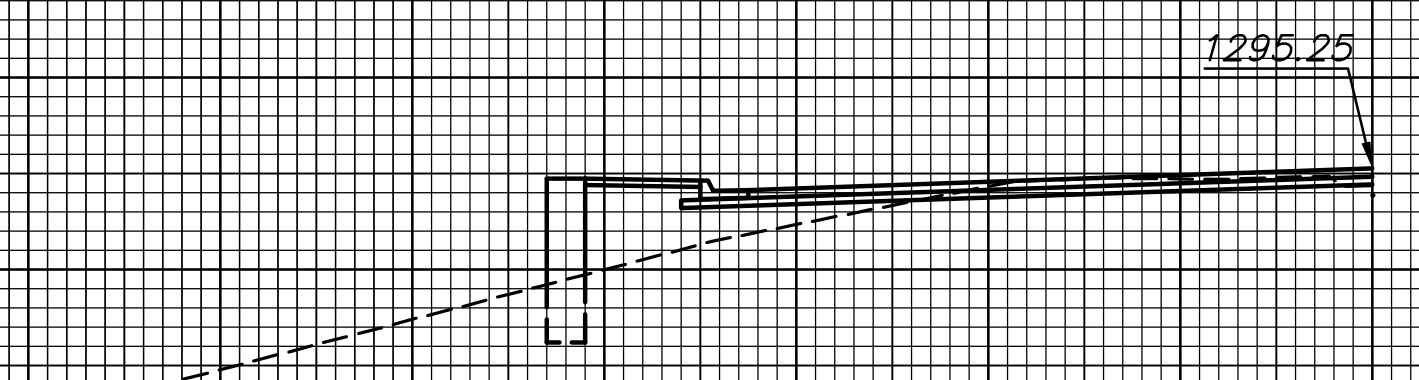
1300  
1290  
STA "G" CUL-DE-SAC  
HO. ENT.

1300  
1290  
1280  
STA "C" CUL-DE-SAC



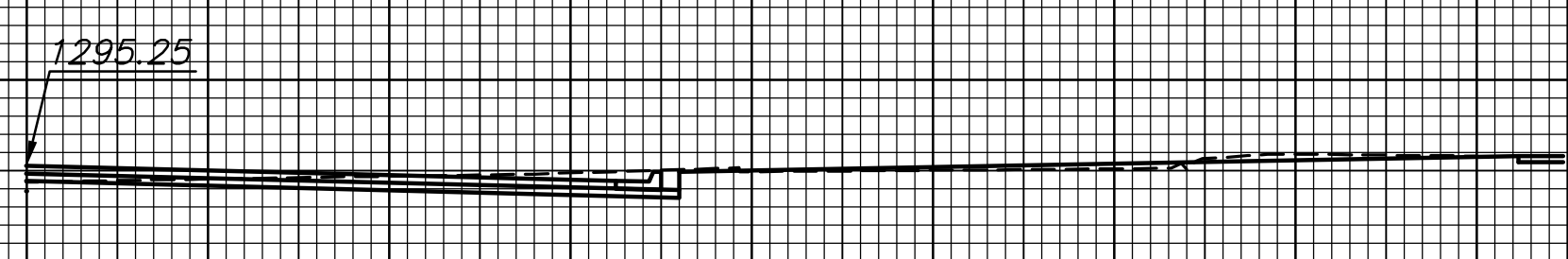
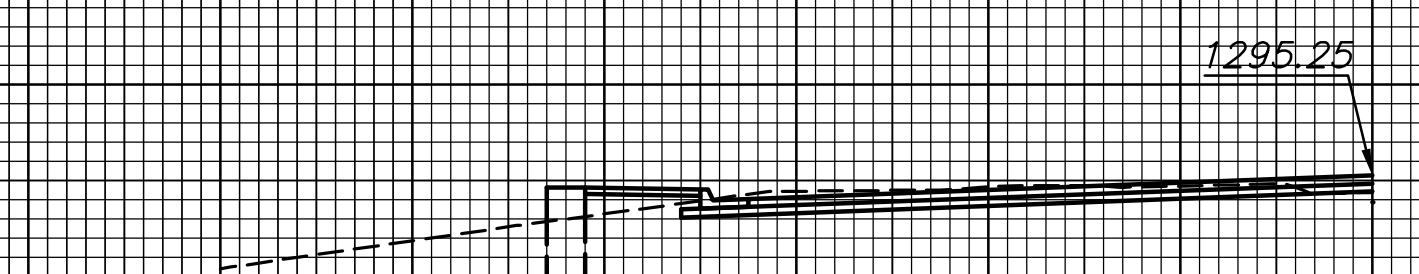
1300  
1290  
STA "H" CUL-DE-SAC

1300  
1290  
1280  
STA "B" CUL-DE-SAC



1300  
1290  
STA "F" CUL-DE-SAC

1300  
1290  
STA "A" CUL-DE-SAC



1300  
1290  
STA "F" CUL-DE-SAC

STA. "A" TO STA. H  
PALISADE STREET  
SCALE: 1"=10'

**BRIDGE  
CROSS-  
SECTIONS  
PALISADE ST.**  
SHEET TITLE  
472-84883  
PROJECT NUMBER

DESIGN BY JRA  
DRAWN BY DPG  
CHECKED BY KJS

ISSUED 1/24/2011  
REVISED

SHEET NO.  
**155 of 169**

PLotted: J:\mkec\870361\01\11\_08\_11\01.dwg

J:\mkec\870361\01\11\_08\_11\01.dwg