

BENCHMARKS:
 135th St. W. & 13th St. N. - City of
 Wichita Disc at southwest corner of
 intersection, 30.00'± S. of C of 13th
 St. N. 35.00'± W. of C of 135th St. W.
 Elev. = 1355.65 MSL (NGVD 29)

"□" Cut in top of curb north side of
 Westport adjacent to the southeast
 corner of Lot 30, Block D, Silverton
 Addition.
 Elev. = 1364.44 MSL (NGVD 29)

"□" Cut in curb inlet top at the west
 end of Bellick Ct. adjacent to Lot 10 &
 Lot 11, Block D, Silverton Addition.
 Elev. = 1364.12 MSL (NGVD 29)

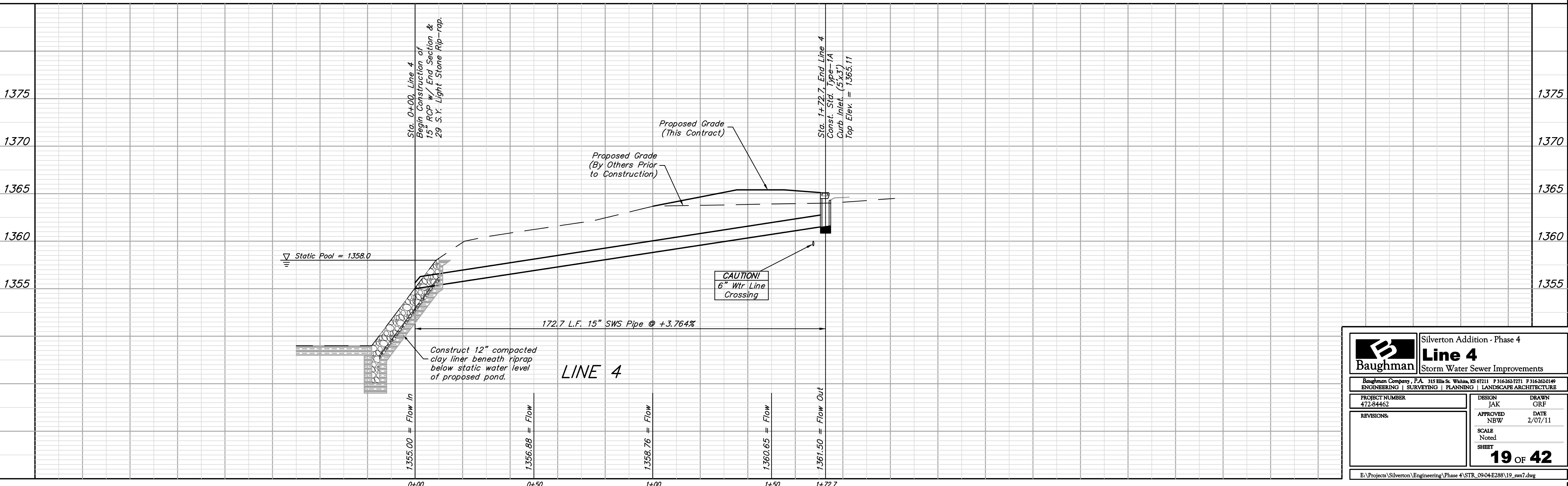
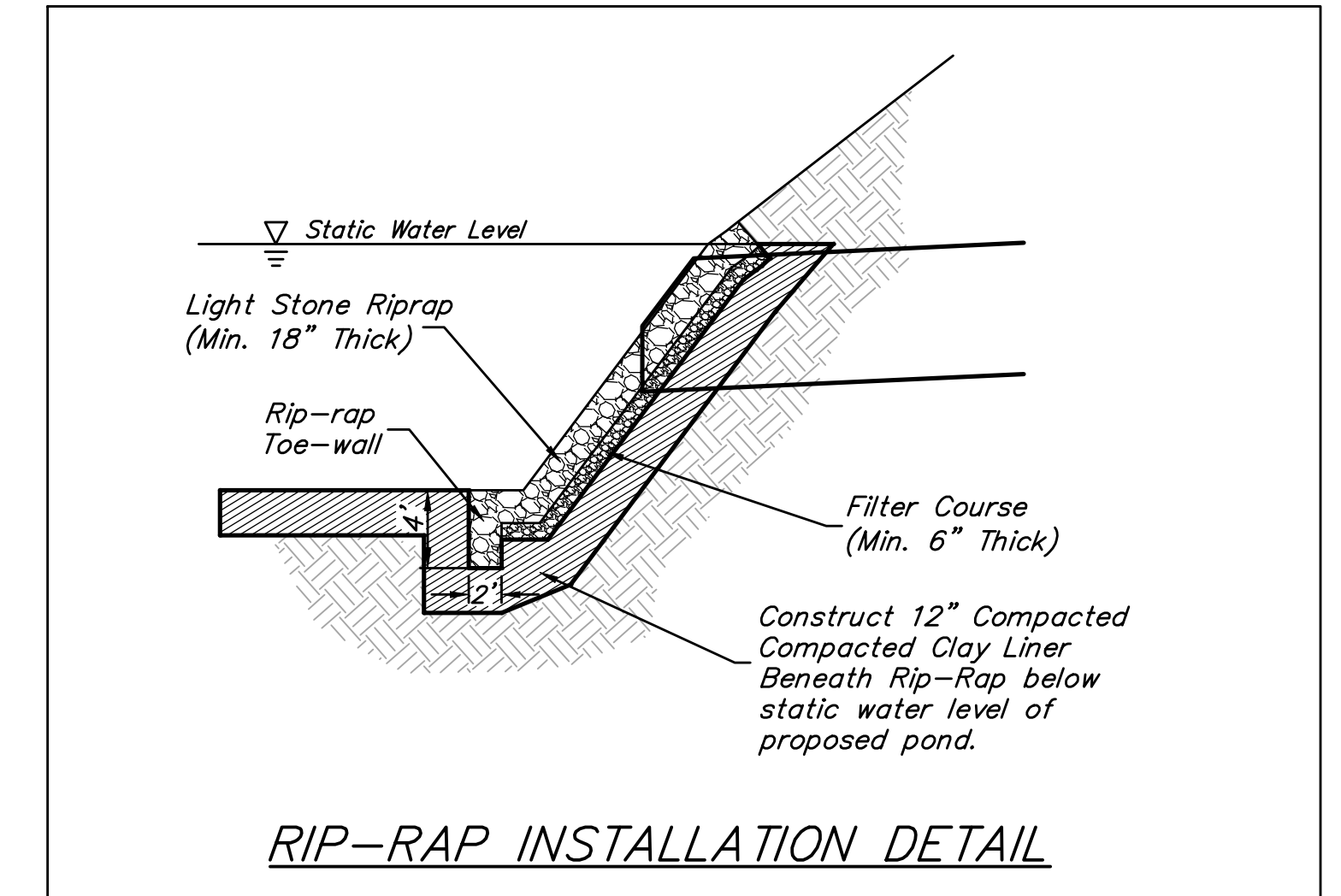
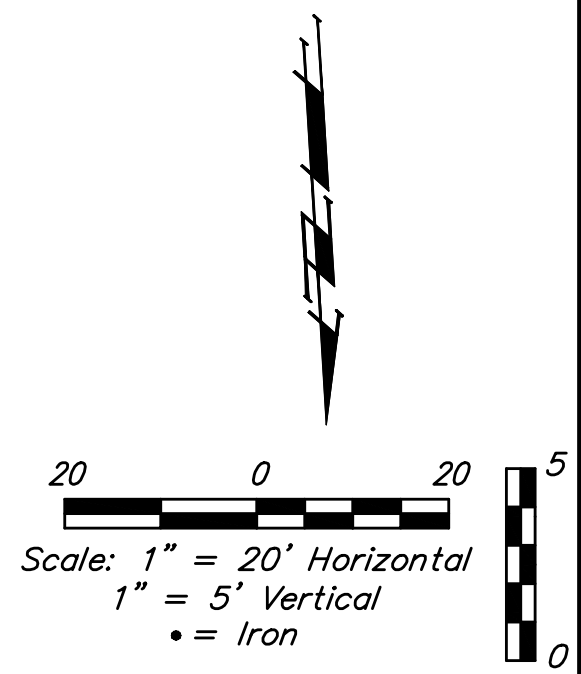
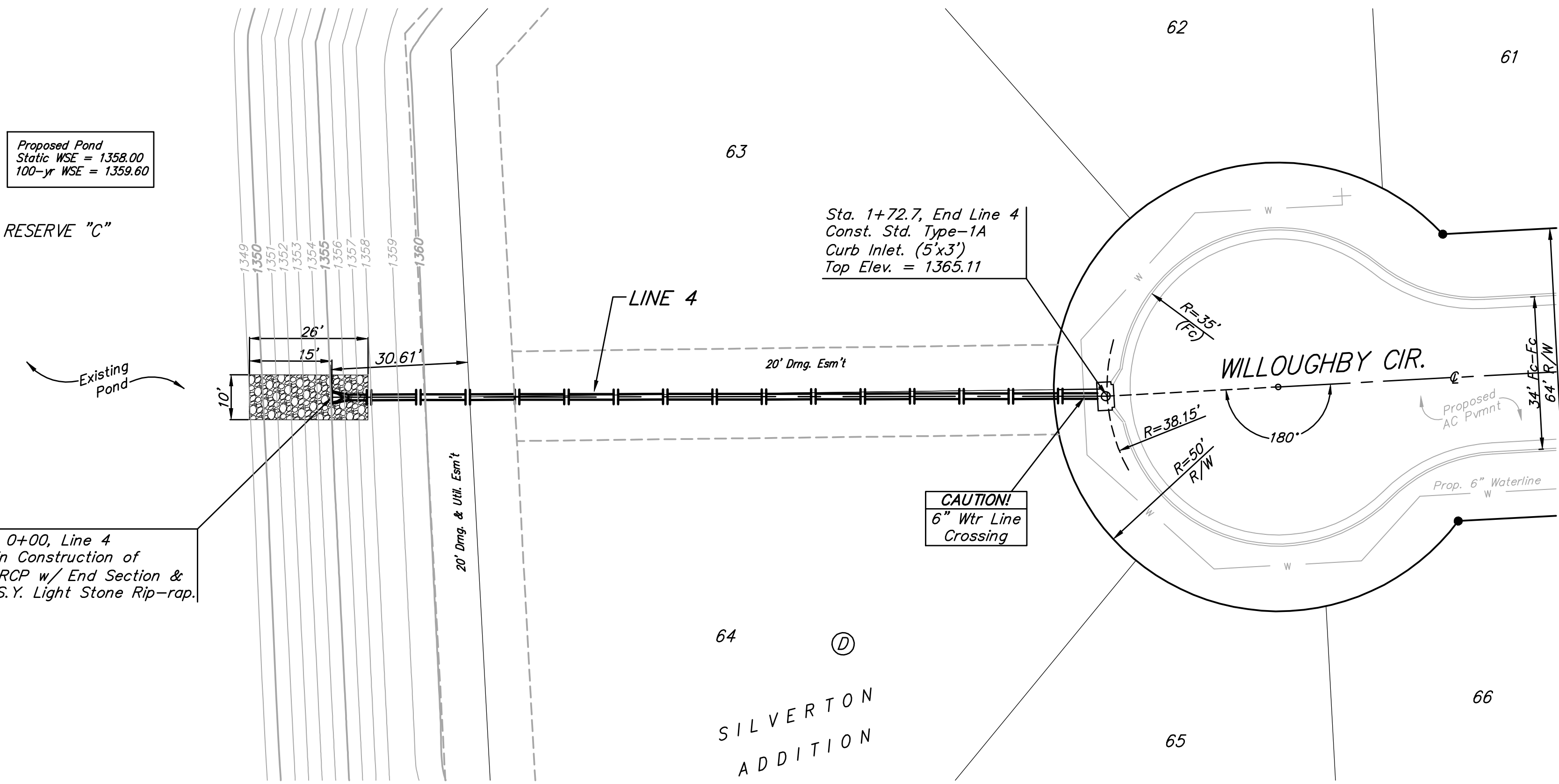
Proposed Pond
 Static WSE = 1358.00
 100-yr WSE = 1359.60

RESERVE "C"

Sta. 0+00, Line 4
 Begin Construction of
 15" RCP w/ End Section &
 29 S.Y. Light Stone Rip-rap.

Sta. 1+72.7, End Line 4
 Const. Std. Type-1A
 Curb Inlet. (5'x3')
 Top Elev. = 1365.11

CAUTION!
 6" Wtr Line
 Crossing



		Silverton Addition - Phase 4	
		Line 4	
ENGINEERING SURVEYING PLANNING LANDSCAPE ARCHITECTURE		Storm Water Sewer Improvements	
PROJECT NUMBER 472-84462		DESIGN JAK	DRAWN GRF
REVISIONS:		APPROVED NBW	DATE 2/07/11
		SCALE Noted	SHEET 19 OF 42
E:\Projects\Silverton\Engineering\Phase 4\STR_09-04-E288\19_sww7.dwg			