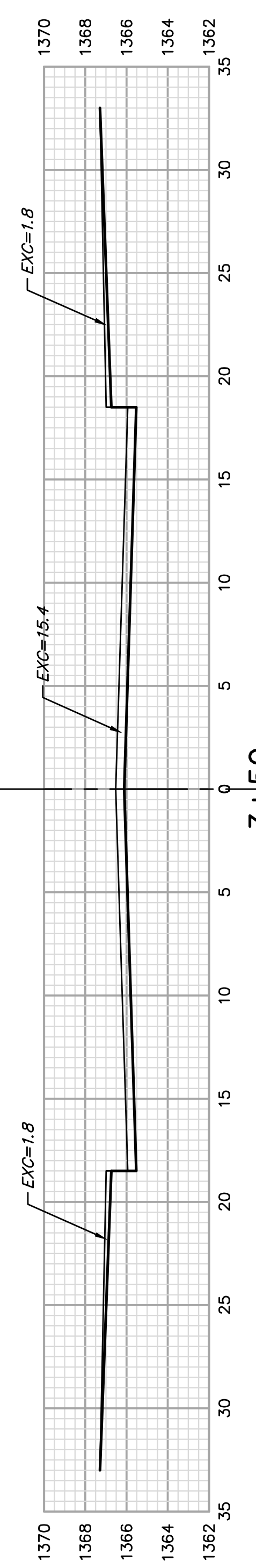
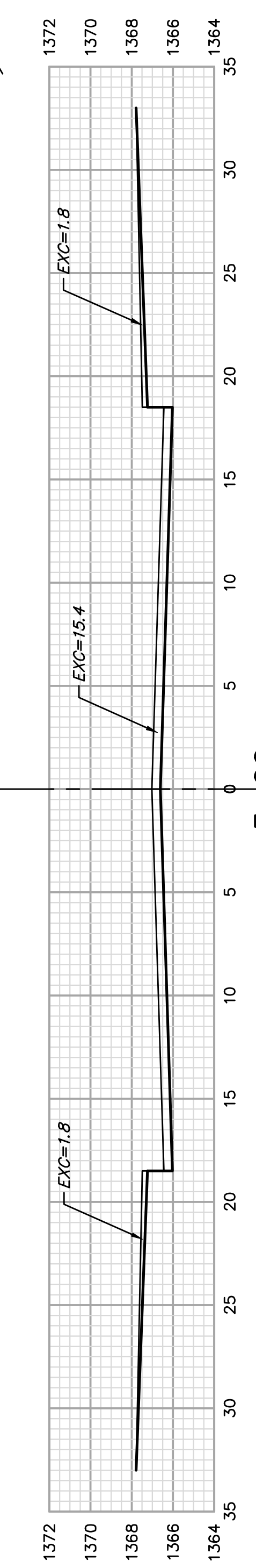


EXC = 33.3
LF = 0.0
CF = 0.0



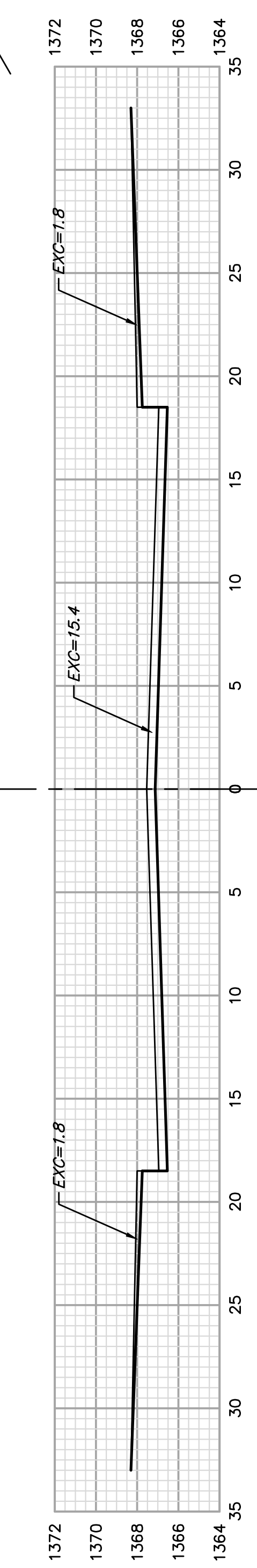
3+50

EXC = 35.2
LF = 0.0
CF = 0.0



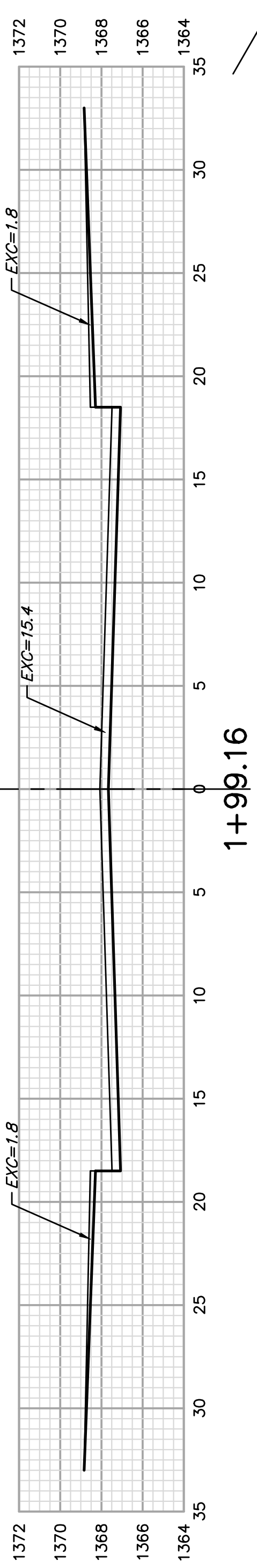
3+00

EXC = 35.2
LF = 0.0
CF = 0.0



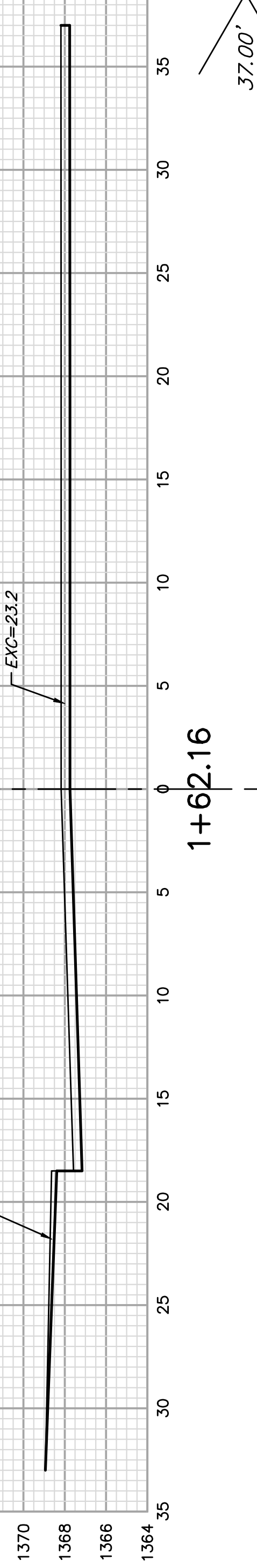
2+50

EXC = 35.8
LF = 0.0
CF = 0.0



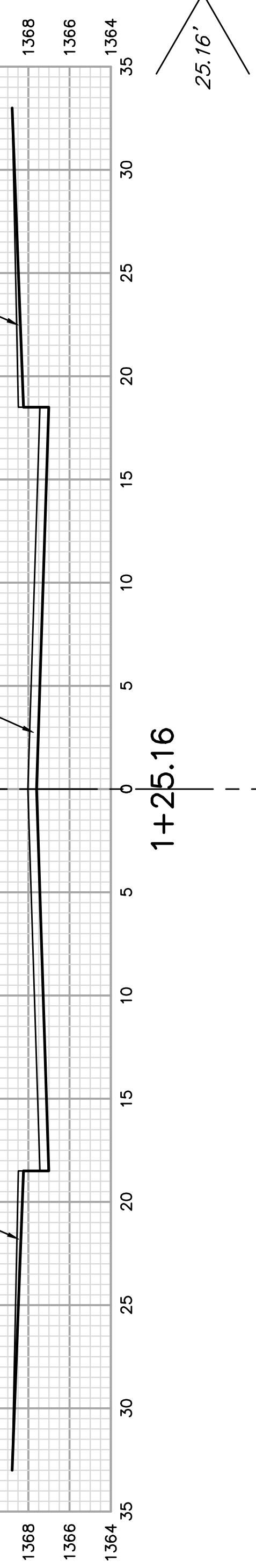
1+99.16

EXC = 30.1
LF = 0.0
CF = 0.0



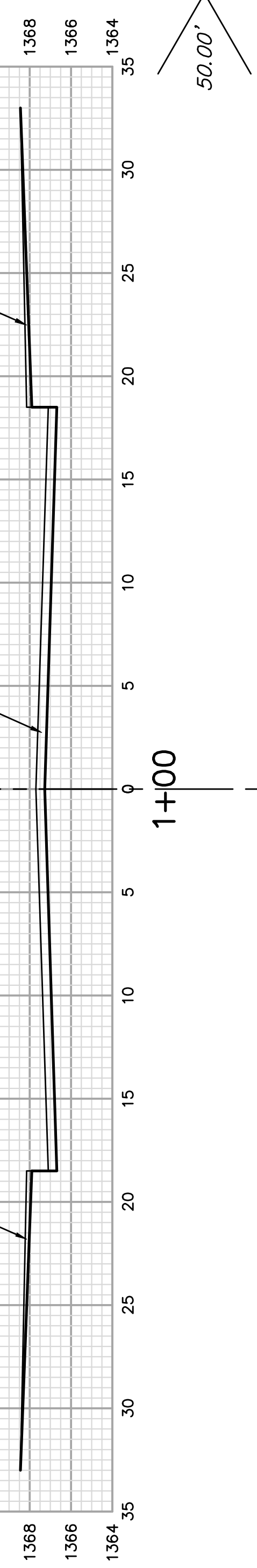
1+62.16

EXC = 30.1
LF = 0.0
CF = 0.0



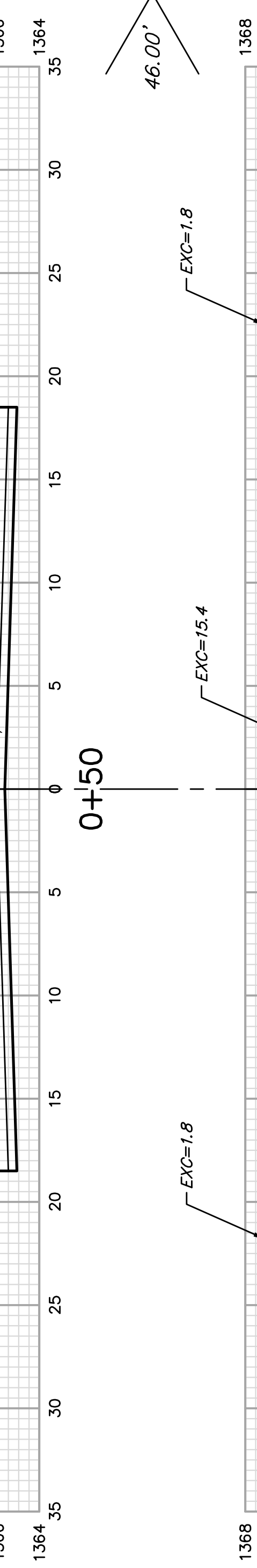
1+25.16

EXC = 17.7
LF = 0.0
CF = 0.0



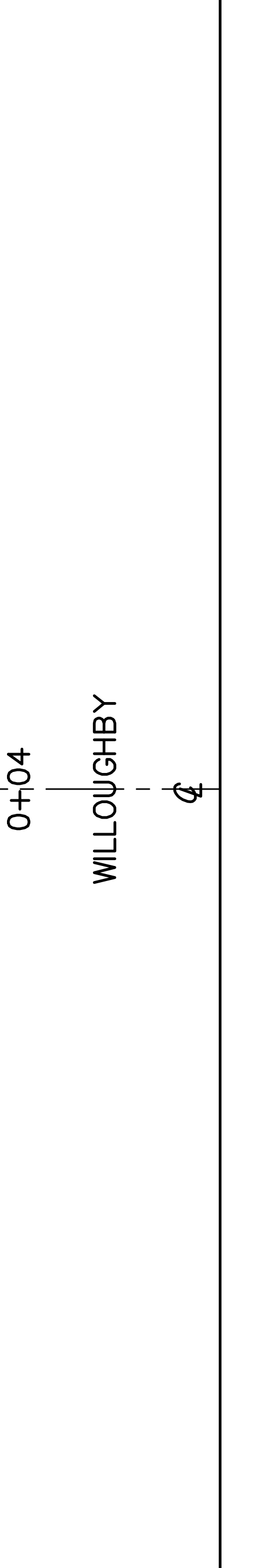
1+00

EXC = 35.2
LF = 0.0
CF = 0.0



0+50

EXC = 32.4
LF = 0.0
CF = 0.0



0+04

WILLOUGHBY CIR.

WILLOUGHBY

4

Sheet Totals
Excavation = 285.0 C.Y.
Loose Fill = 0.0 C.Y.
Compacted Fill = 0.0 C.Y.

