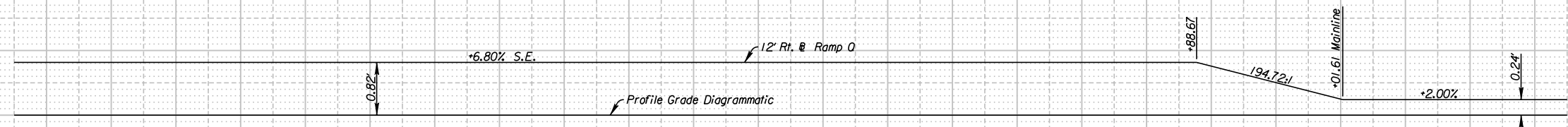


STATE	PROJECT NO.	YEAR	SHEET NO.	TOTAL SHEETS
KANSAS	472 84614	.	87	534

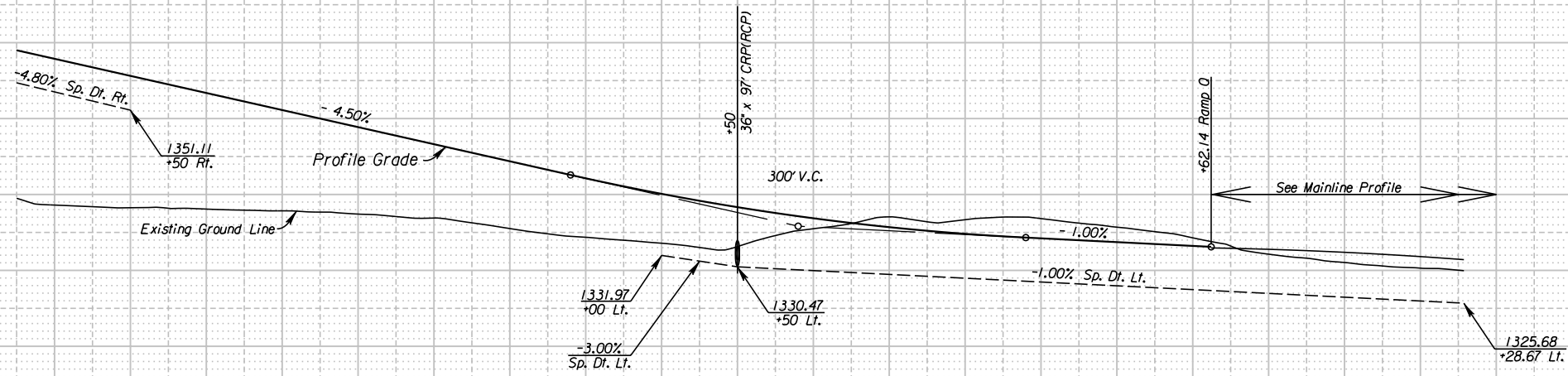
10:42:48 AM
 2/9/2011
 I:\35766A\Cadd\Sheets\Roadway\Details\K2RFP02.dgn
 SURV. - PLOT CADD DES. - DR. - TR. - APP. - CKD.



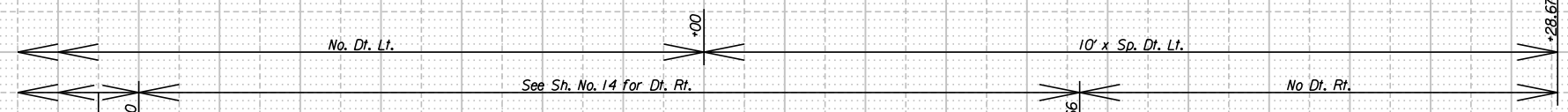
RAMP Q SUPERELEVATION DIAGRAM

From Balance Sta. 20631+46.94 See Sh. No. 14 for Earthwork Balance

1380
1370
1360
1350
1340
1330



Pr. Gr. = 1338.33
 E. Lt. = 1330.60
 E. Rt. = 1331.40



1357.87
 1353.37
 1348.87
 1344.37
 1342.57 P.C. +40
 1340.08
 1337.14 P.I. El. 1335.82 +90
 1336.87
 1334.82
 1334.32 P.T. +40
 1333.72
 1333.10 +62.14 End Ramp Q
 Match Mainline

CITY OF WICHITA
 RAMP Q
 PROFILE
 STA. 20640+00 TO STA. 20649+28.67