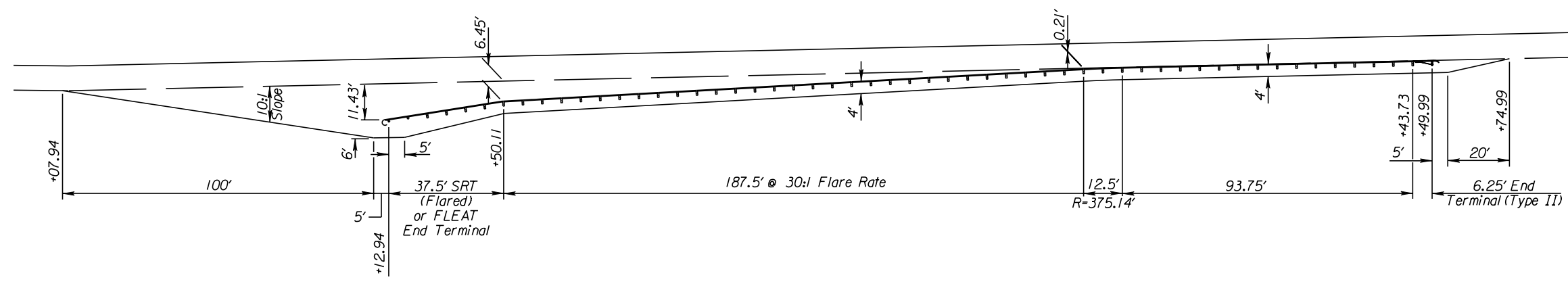
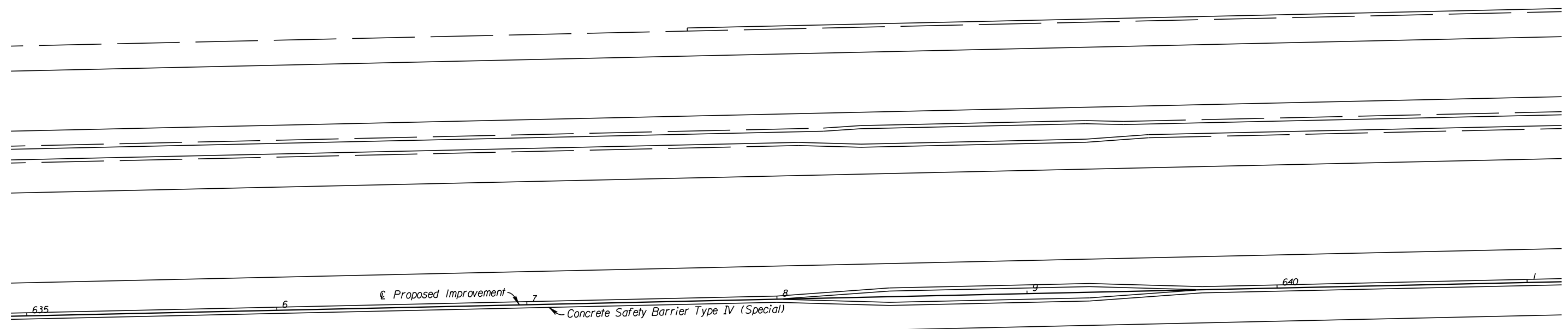
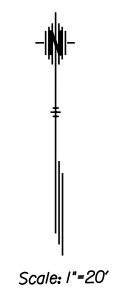


STATE	PROJECT NO.	YEAR	SHEET NO.	TOTAL SHEETS
KANSAS	472 84614	:	163	534



Notes:
Station, Offset, and Radius information for Guardrail is to face of rail.
See Sh. No's. for Guardrail Details.

Plan @ Sta. 638+00.00

CITY OF WICHITA
EAST KELLOGG
GUARDRAIL LAYOUT
EXISTING K96 OVER EAST KELLOGG

10:44:00 AM
 2/9/2011
 T:\35766A\Cadd\Sheets\Roadway\Details\K2GDRO1.dgn
 SURV. PLOT CADD DES. TR. CKD. APP.