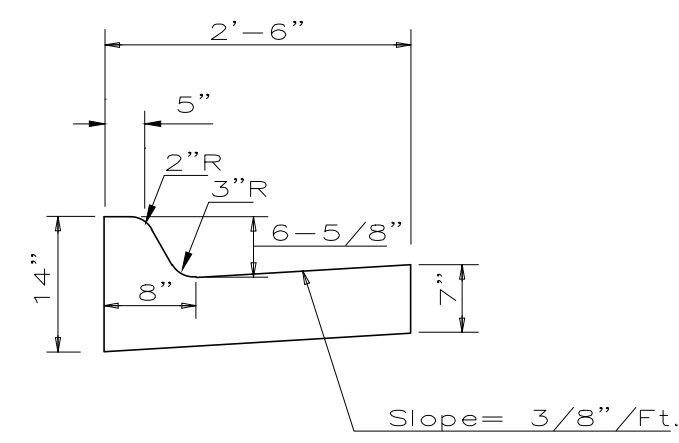
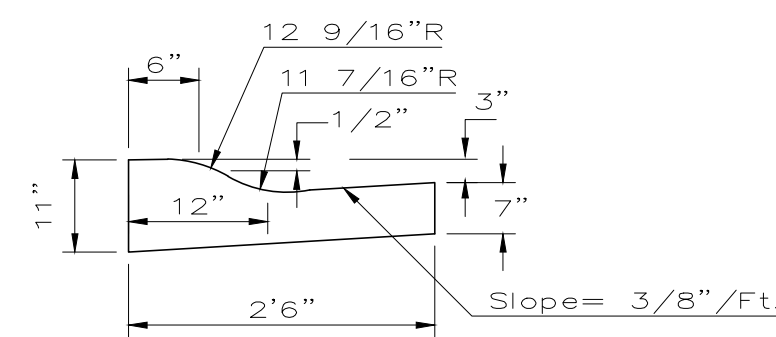


Bus Lane Section

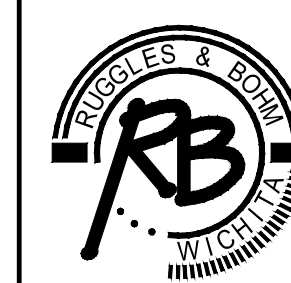


COMBINED CURB & GUTTER



COMBINED ROLL TYPE CURB & GUTTER

North Elementary Streets Typical Section WICHITA, KANSAS



Ruggles & Bohm, P.A.
Engineering, Surveying, Land Planning

924 North Main
Wichita, Kansas 67203
www.rbkansas.com

(316) 264-8008
(316) 264-4621 fax
E-mail: info@rbkansas.com

DRAWING FILE: ENGINEERING BASE {BMP Plan}
PROJECT NUMBER: 472-84901
DATE:

DESIGN	EJG	SHEET 3 OF 30
DRAWN	EJG	
REVIEW	June 4, 2010	
UTILITY		