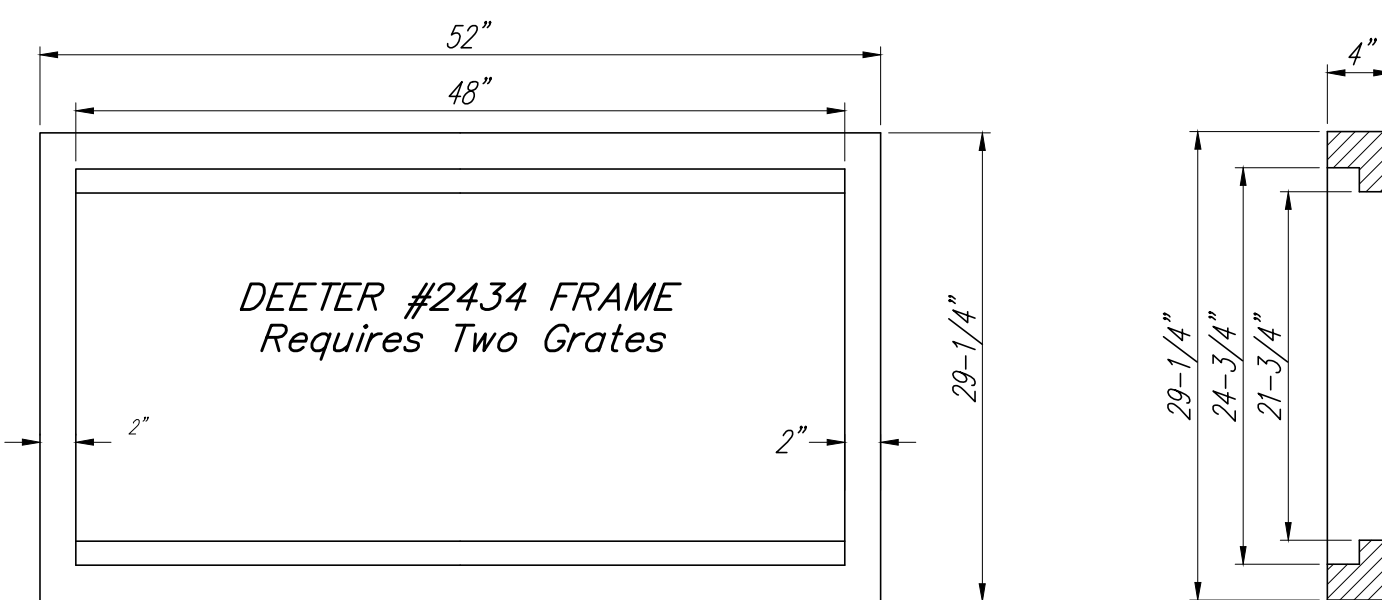


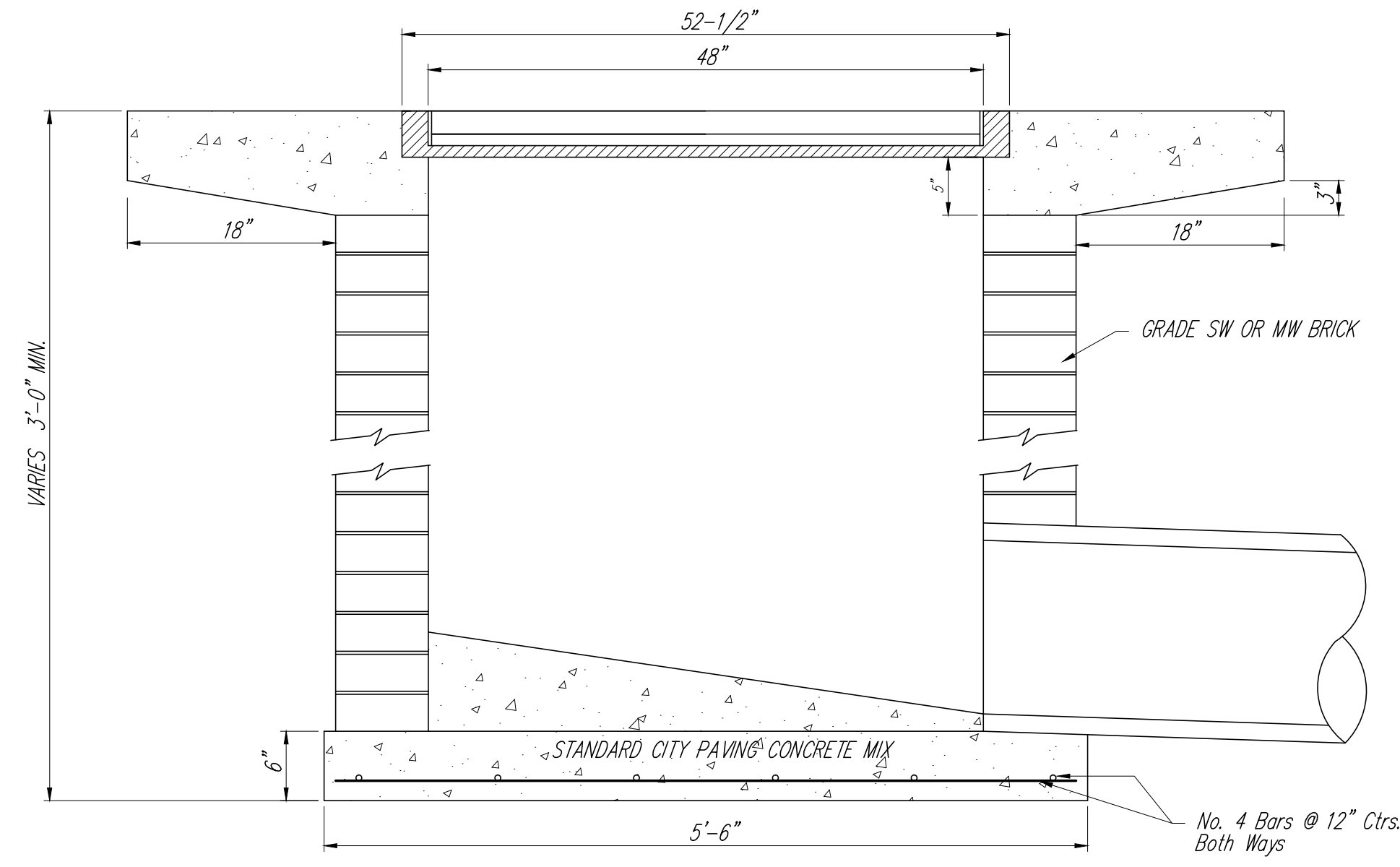
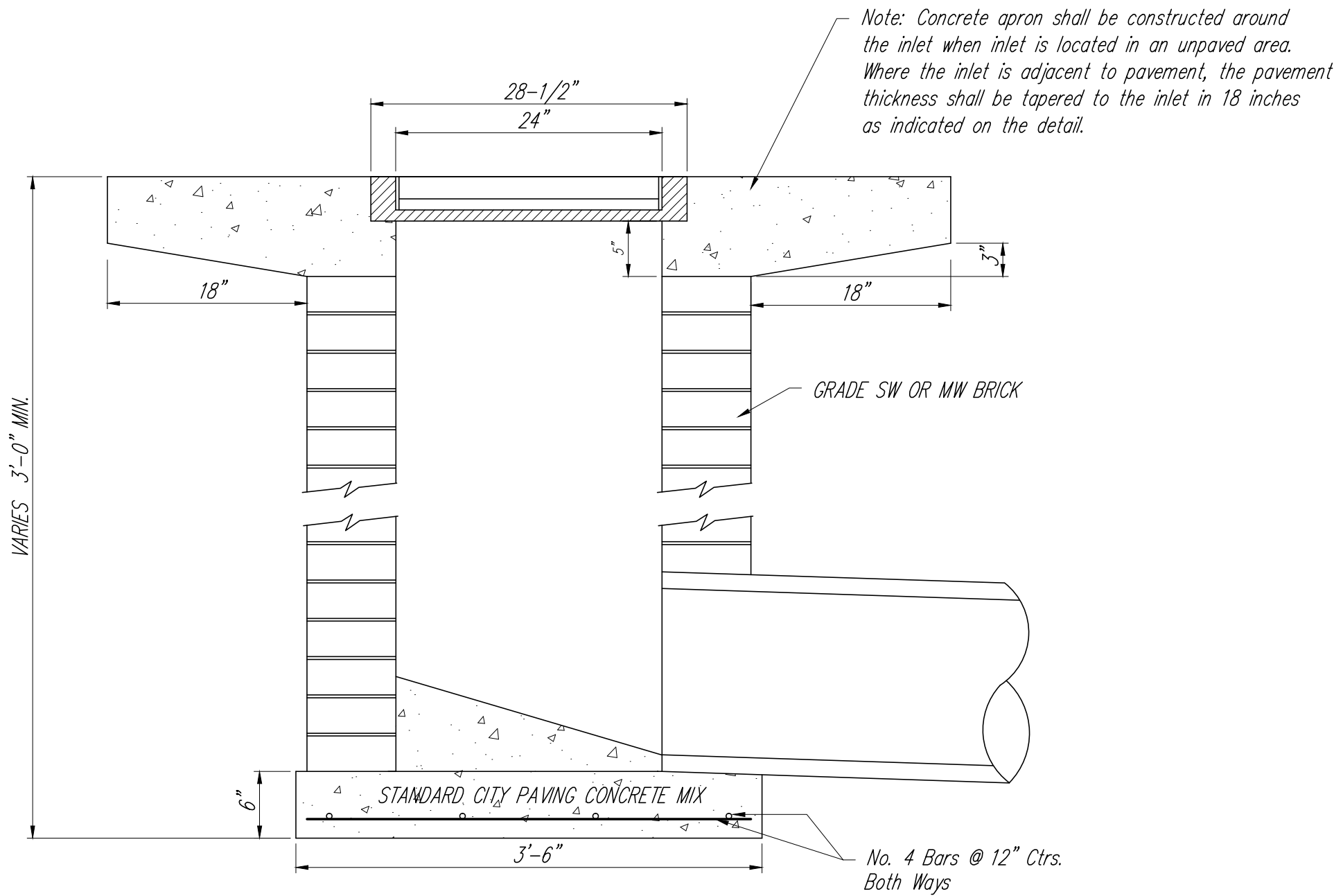
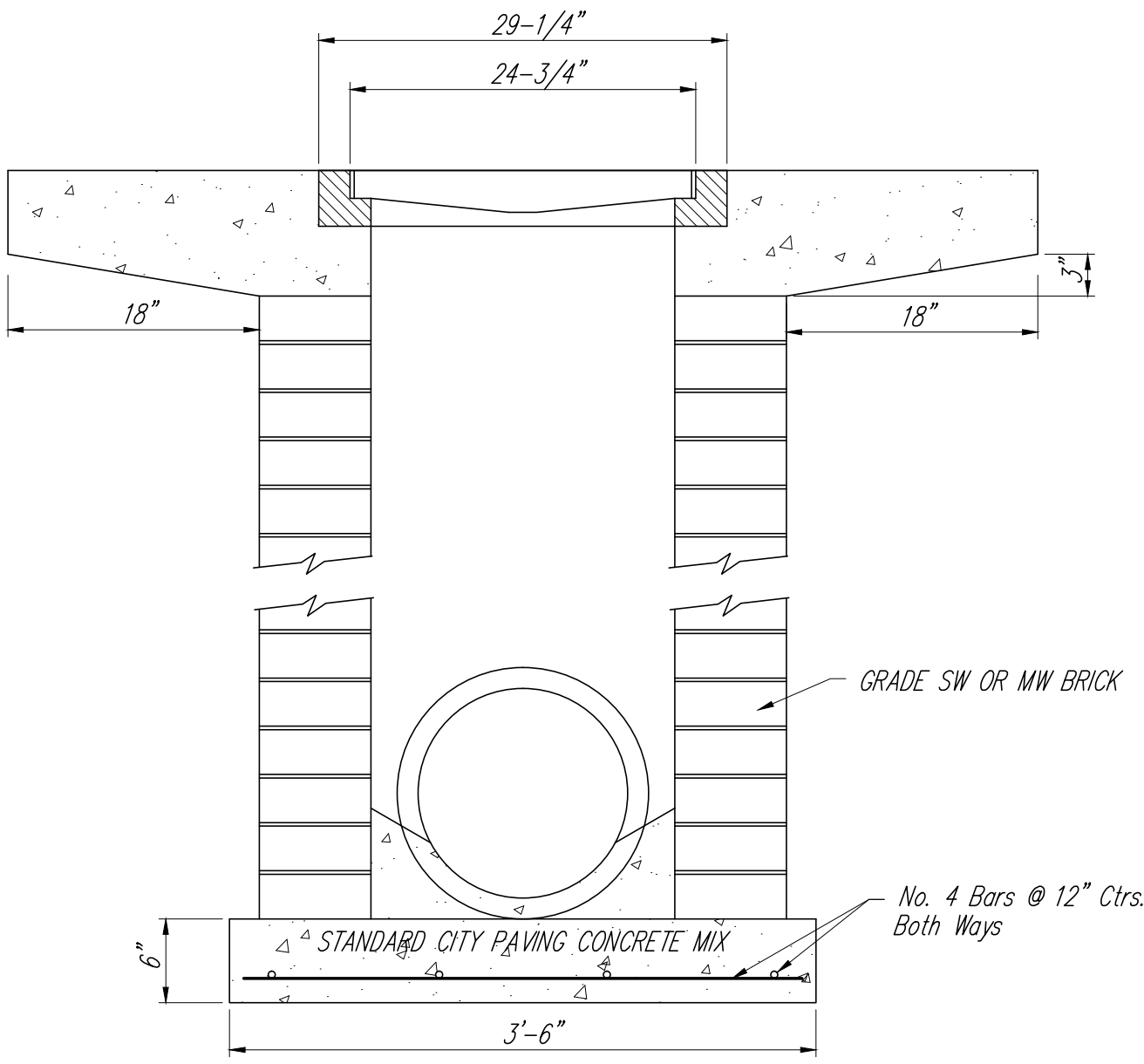
NOTE: Grates shall be imprinted on the top surface with "CITY OF WICHITA" using letters at least 1" in height. Other marking methods may be approved by the engineer.

DEETER #2433 GRATE

24" x 24" Frame and Grate Detail



Double 24" x 24" Frame Detail



THE CITY OF WICHITA

CITY ENGINEER'S OFFICE
 CITY HALL - SEVENTH FLOOR
 455 NORTH MAIN STREET
 WICHITA, KANSAS 67202
 (316) 268-4501
 (316) 268-4114 FAX

DROP INLET 2'x2' / 2'x4'	
PROJECT NUMBER 472-84901	OCA #
DATE MAR 96	SHEET 16 OF 30