

PERIMETER ROAD IMPROVEMENTS
BOTANICA - THE WICHITA GARDENS

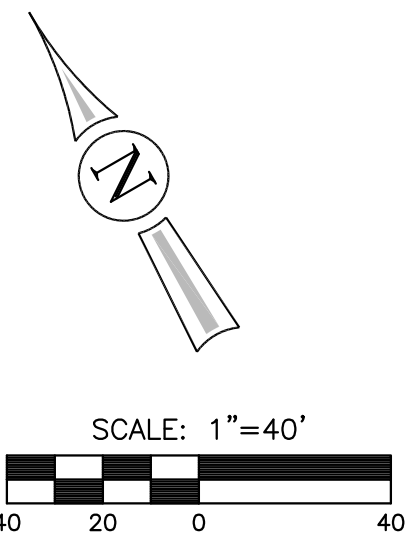
DEMOLITION PLAN

SHEET TITLE
472-84976
PROJECT NUMBER

DFL / DM / JRA
DESIGNED / DRAWN / CHECKED

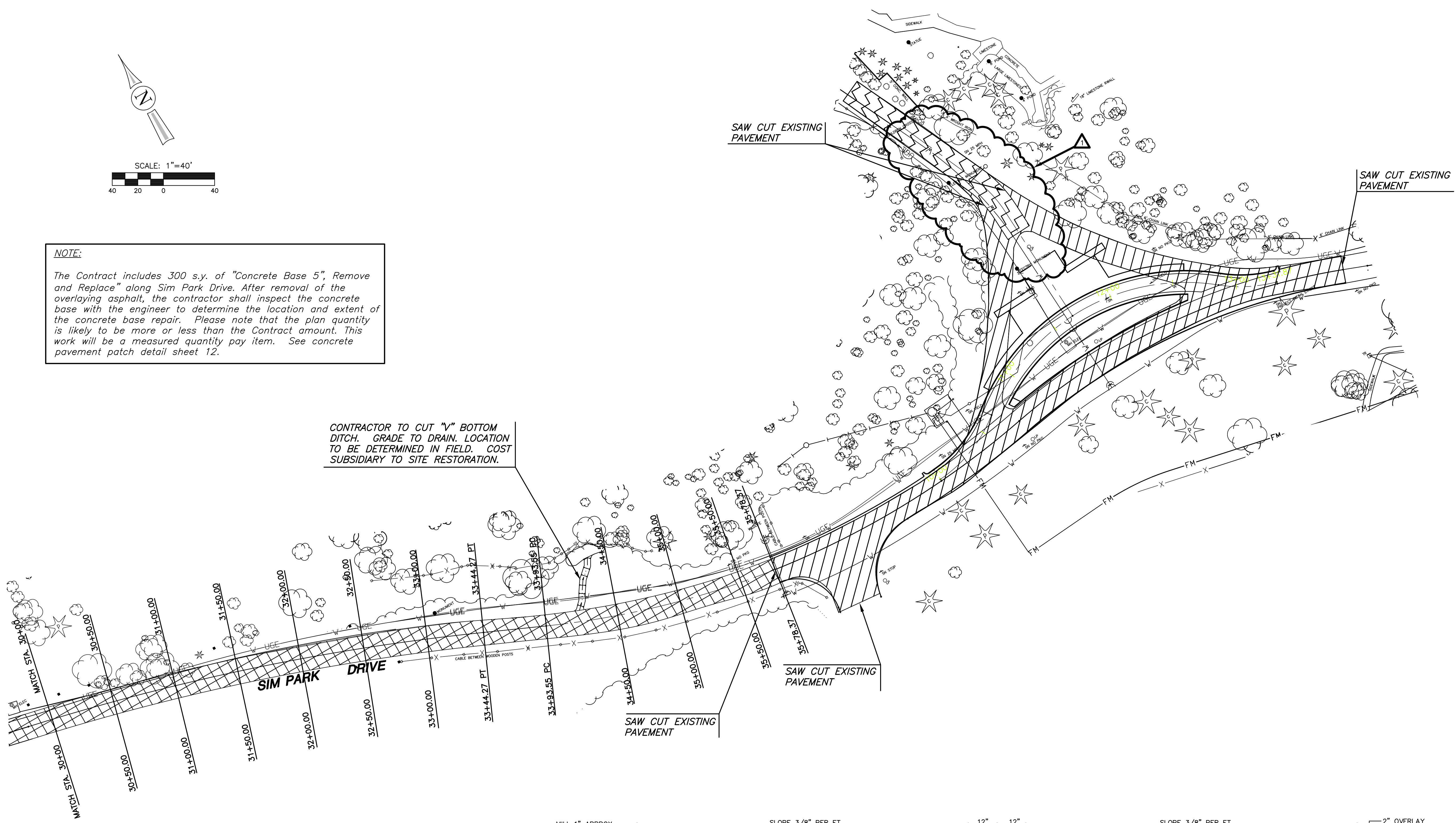
ISSUED
March 2011
REVISED
3-22-11

SHEET NO.
9 of 21



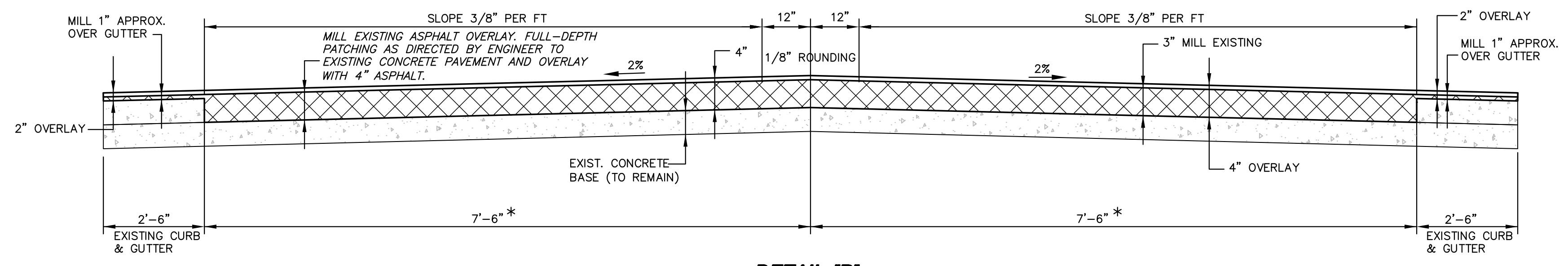
NOTE:
The Contract includes 300 s.y. of "Concrete Base 5", Remove and Replace" along Sim Park Drive. After removal of the overlaying asphalt, the contractor shall inspect the concrete base with the engineer to determine the location and extent of the concrete base repair. Please note that the plan quantity is likely to be more or less than the Contract amount. This work will be a measured quantity pay item. See concrete pavement patch detail sheet 12.

CONTRACTOR TO CUT "V" BOTTOM DITCH. GRADE TO DRAIN. LOCATION TO BE DETERMINED IN FIELD. COST SUBSIDIARY TO SITE RESTORATION.



- REMOVE EXISTING PAVEMENT BETWEEN CURB & GUTTERS. REPLACE WITH 5" ASPHALT ON 5" ROCK BASE. SEE DETAIL "A" SHEET 10.
- MILL EXISTING ASPHALT OVERLAY. OVERLAY WITH 4" ASPHALT. SEE DETAIL "B" SHEET 9.

- LEGEND**
- PAVEMENT DEMOLITION
 - 2" PAVEMENT OVERLAY



DETAIL "B"
MILL EXISTING ASPHALT OVERLAY.
FROM STA. 10+63.53 TO STA. 35+87.37

PLOTTED: Tuesday, March 22, 2011 @ 11:59AM

J:\CIVIL\08603\DWG\PAV\BUS TURNAROUND SHEETS\08603_LEB.DWG