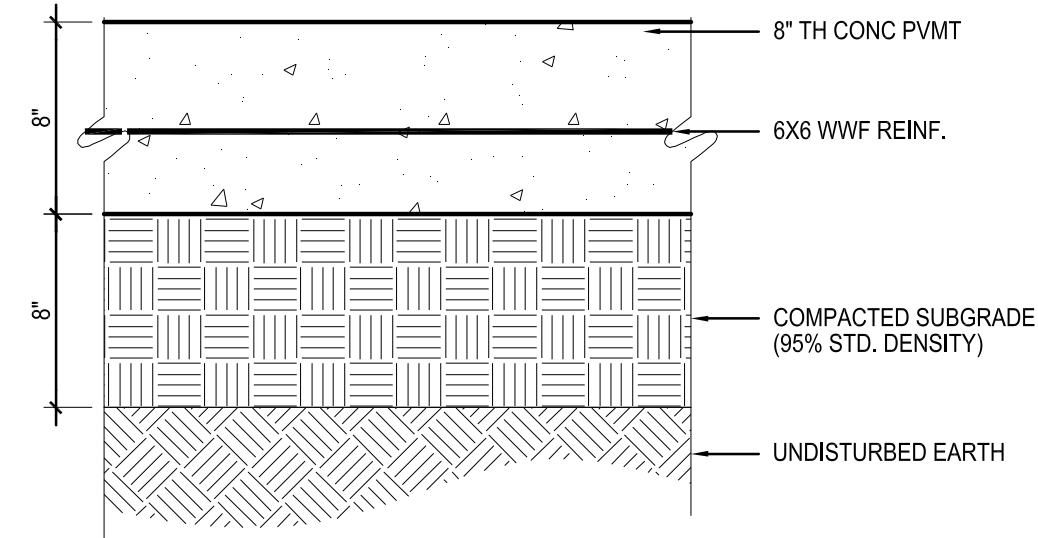


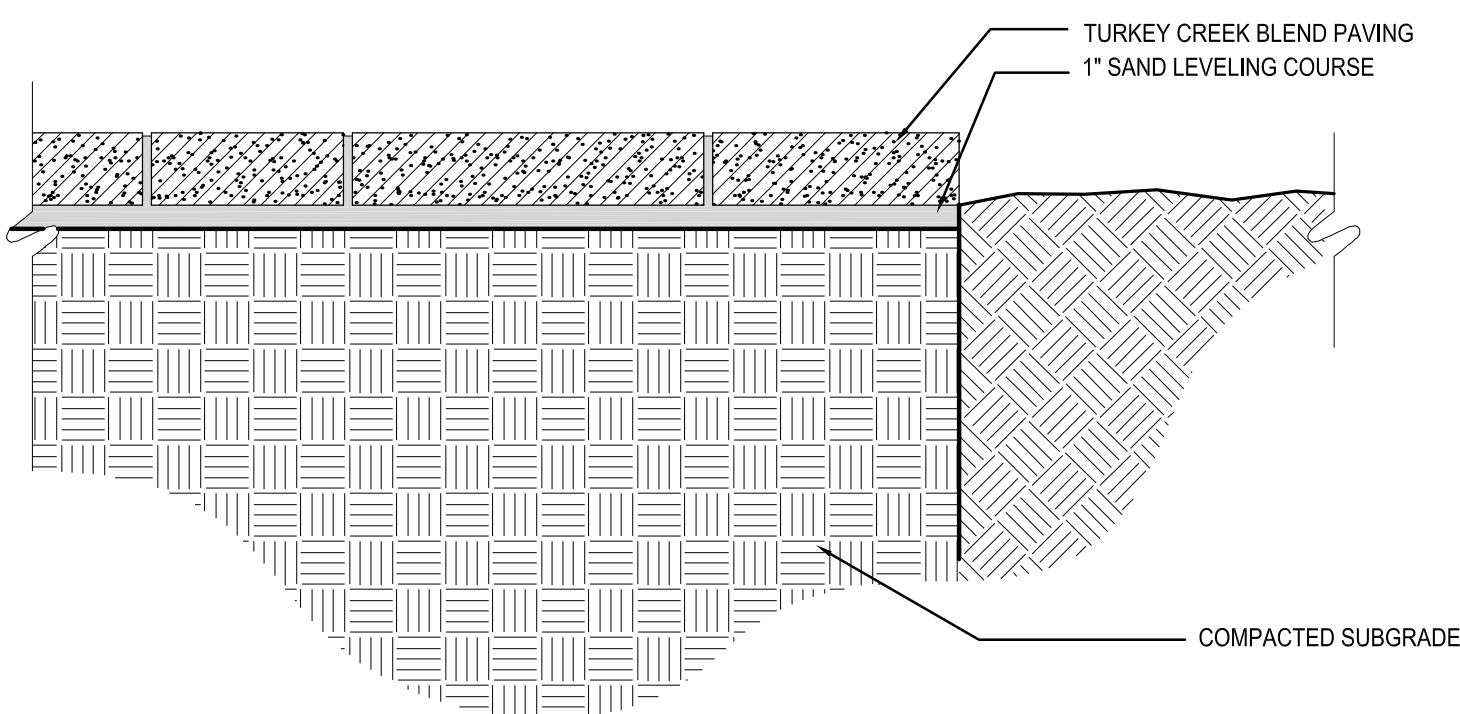
**GENERAL NOTES**

- 1) CONCRETE SHALL HAVE A MINIMUM COMPRESSIVE STRENGTH OF 4,000 PSI AT 28 DAYS. CONTRACTOR SHALL SUBMIT CONCRETE MIX DESIGN TO ENGINEER FOR APPROVAL, PRIOR TO CONSTRUCTION.
- 2) CONCRETE SHALL CONFORM TO THE CURRENT "ACI MANUAL OF CONCRETE PRACTICE."
- 3) PORTLAND CEMENT SHALL CONFORM TO ASTM-C-150, TYPE I OR III.
- 4) AGGREGATE FOR NORMAL WEIGHT CONCRETE SHALL MEET ASTM C33.
- 5) REINFORCING SHALL MEET ASTM A615 OR GR60.
- 6) PAVEMENT SYSTEM MOCK-UP SHALL BE REQUIRED PRIOR TO COMMENCEMENT OF WORK. PAVEMENT SYSTEM MOCK-UP MAY VARY IN LENGTH (TO BE DETERMINED BY LANDSCAPE ARCHITECT).
- 7) PAVEMENT DEPTH ALL DRIVE LANES SHALL BE 8" TH CONC. ALL OTHER AREAS, INCLUDING PARKING, WALKS, PLAZAS, ETC. SHALL BE 5" TH. CONC.
- 8) ALL CONCRETE FORMS SHALL BE APPROVED BY BOTANICA PRIOR TO COMMENCING INSTALLATION.
- 9) INTEGRALLY COLORED CONCRETE PLAZA AREA SHALL BE DECORATED WITH A SANDBLASTED RIVER DESIGN. DESIGN SHALL BE PROVIDED BY BOTANICA. COSTS FOR INSTALLATION OF DECORATIVE CONCRETE ARE SUBSIDIARY TO THIS AREA.

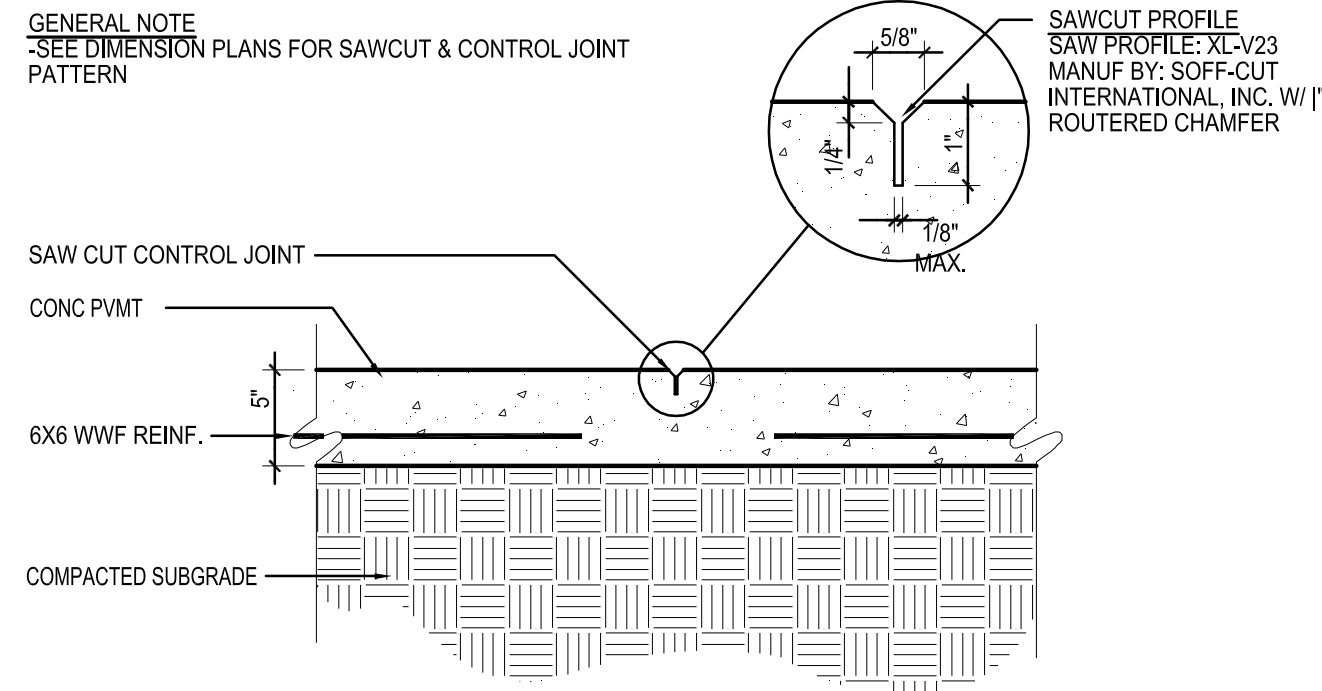
GENERAL NOTE:  
REFER TO DIMENSION PLAN FOR PAVEMENT DEPTHS.



**D TYP SECTION: 8" CONC. PVMT.**  
SCALE: 1 1/2" = 1'-0" TYP. OF DRIVE ISLES

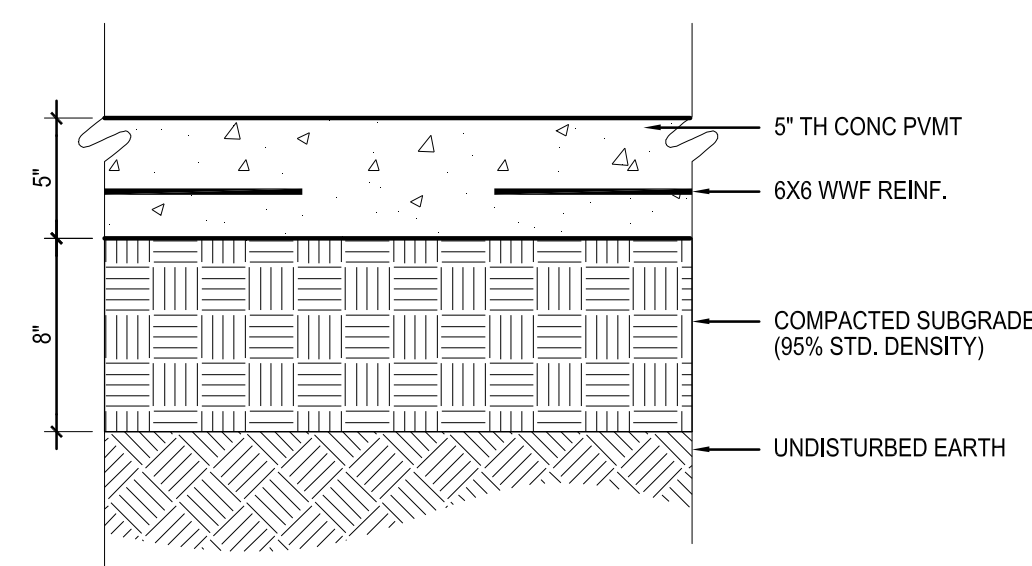


**H TYPICAL STONE PAVING IN TURF AREA**  
SCALE: 1 1/2" = 1'-0"

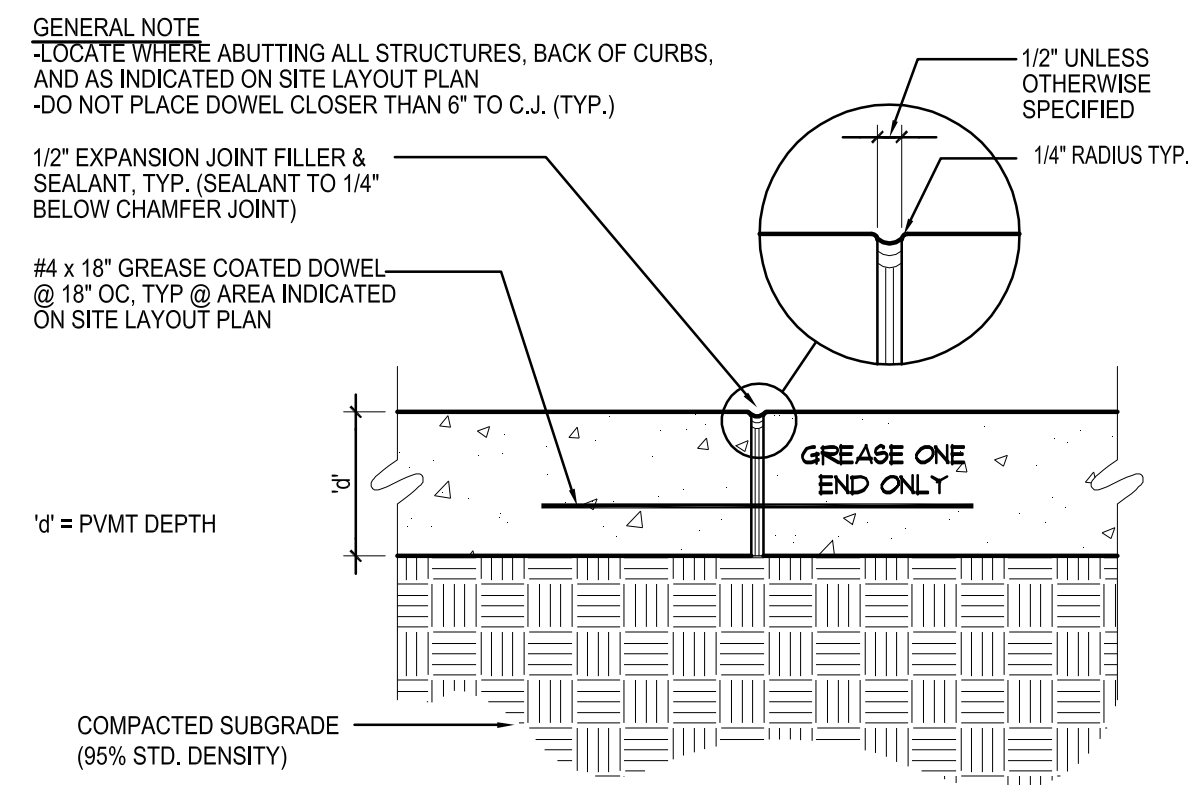


**A CONC. CONTROL JOINT**  
SCALE: 1 1/2" = 1'-0"

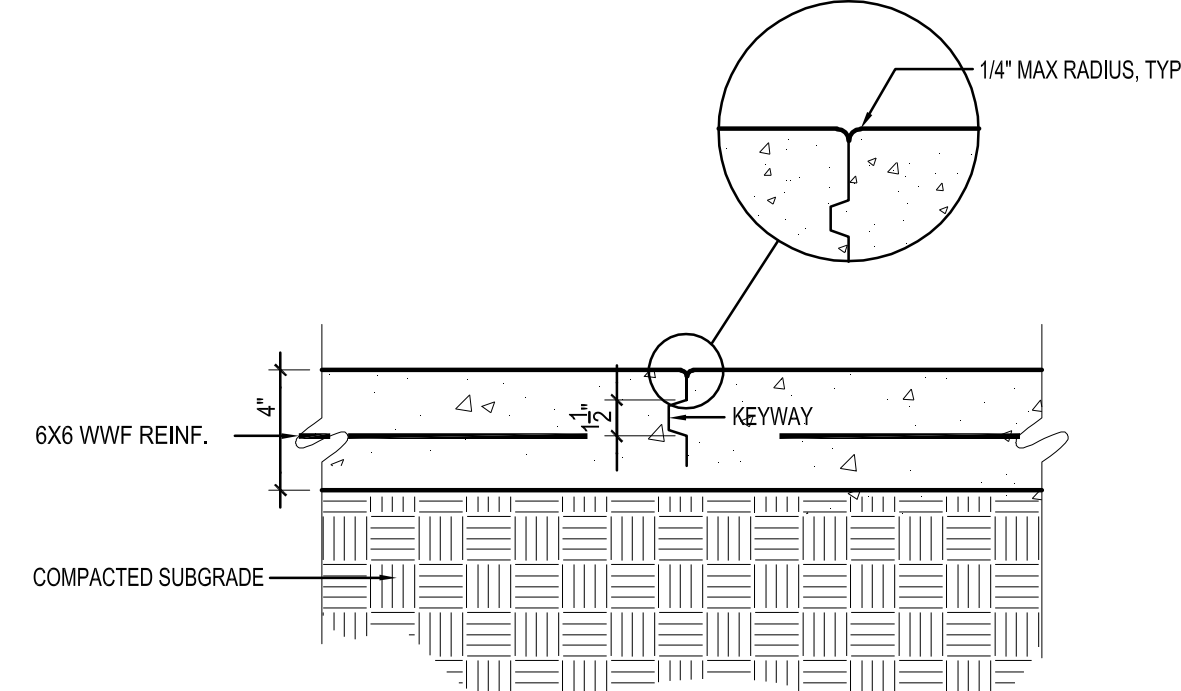
GENERAL NOTE:  
WHERE POSSIBLE A MONOLITHIC POUR INTEGRAL W/ FLATWORK IS PREFERRED OVER EXPANSION JOINT FILLER & SEALANT



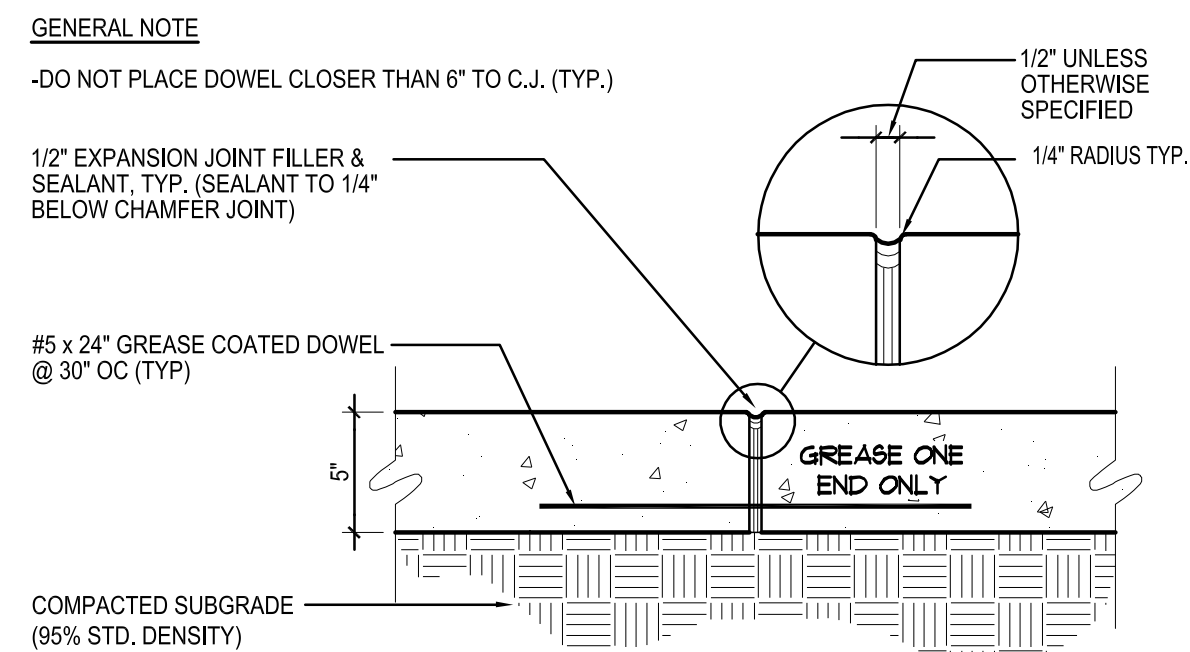
**E TYP SECTION: 5" CONC. PVMT.**  
SCALE: 1 1/2" = 1'-0" TYP. OF PARKING AREAS



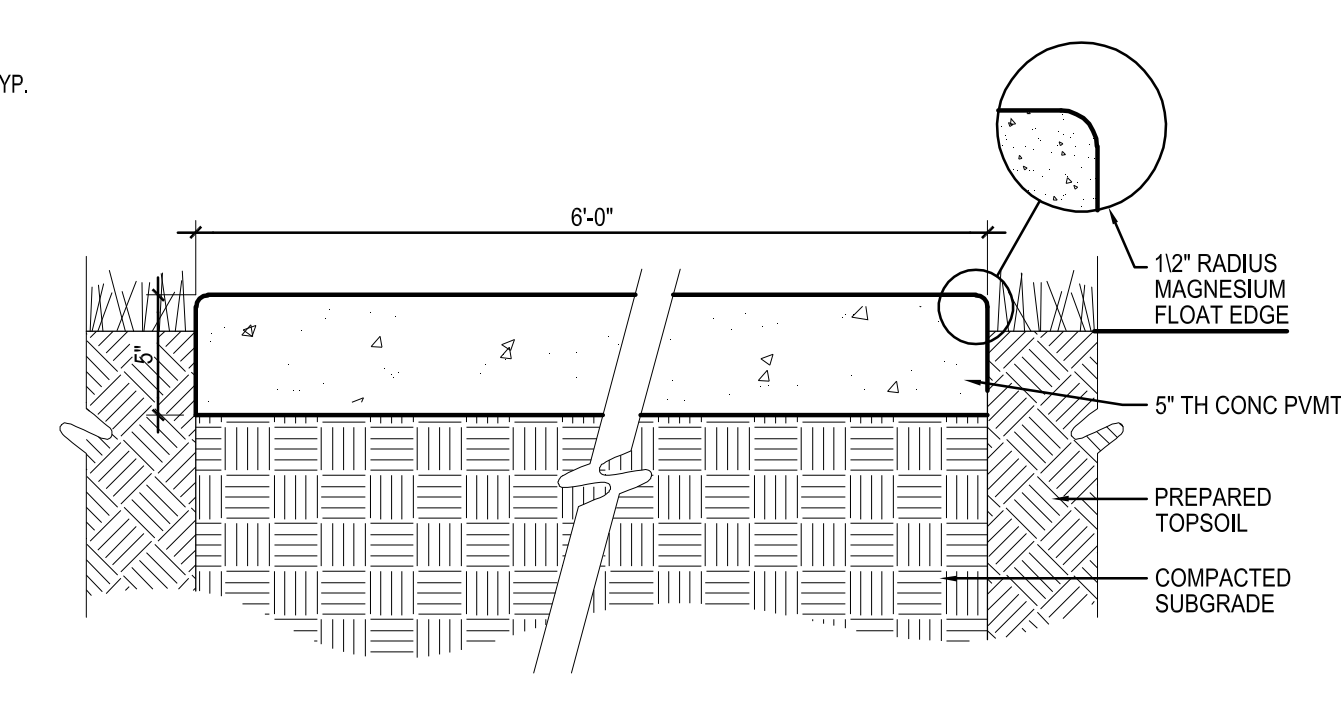
**I GREASED DOWEL @ EXP. JOINT**  
SCALE: 1 1/2" = 1'-0" (INDICATED EJ/DJ ON LAYOUT PLAN)



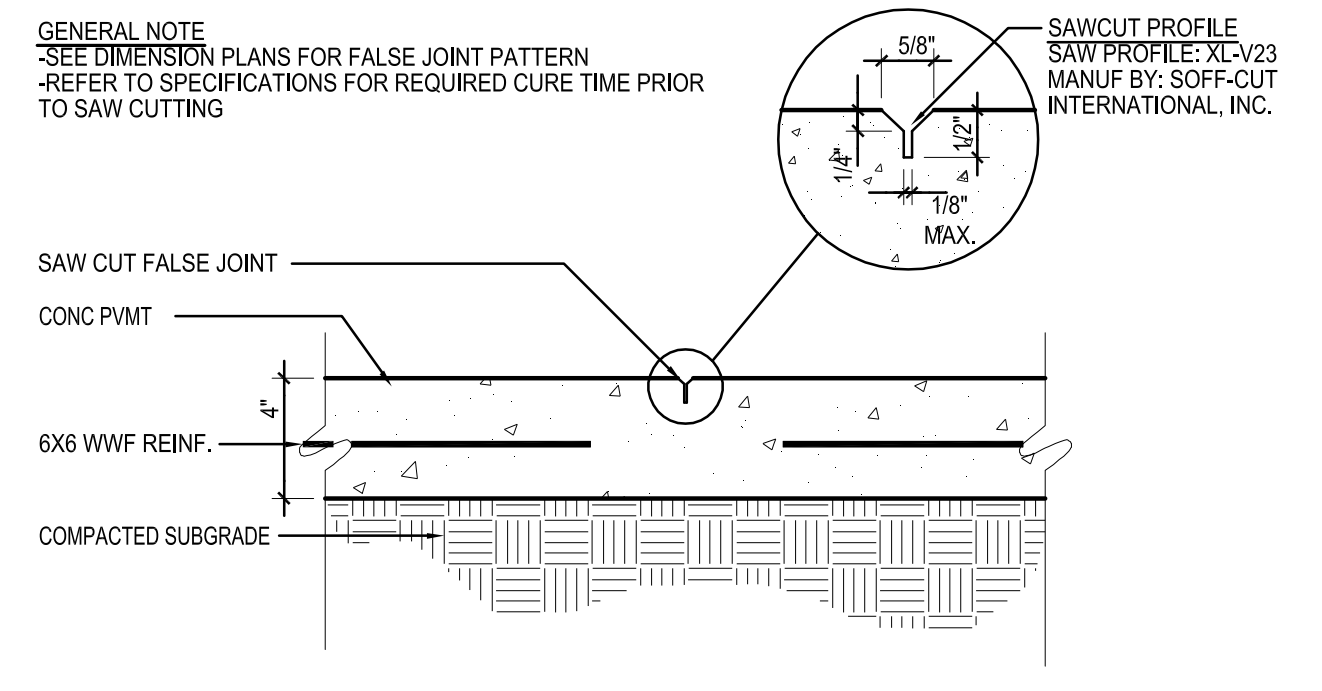
**B CONC. CONSTRUCTION JOINT**  
SCALE: 1 1/2" = 1'-0"



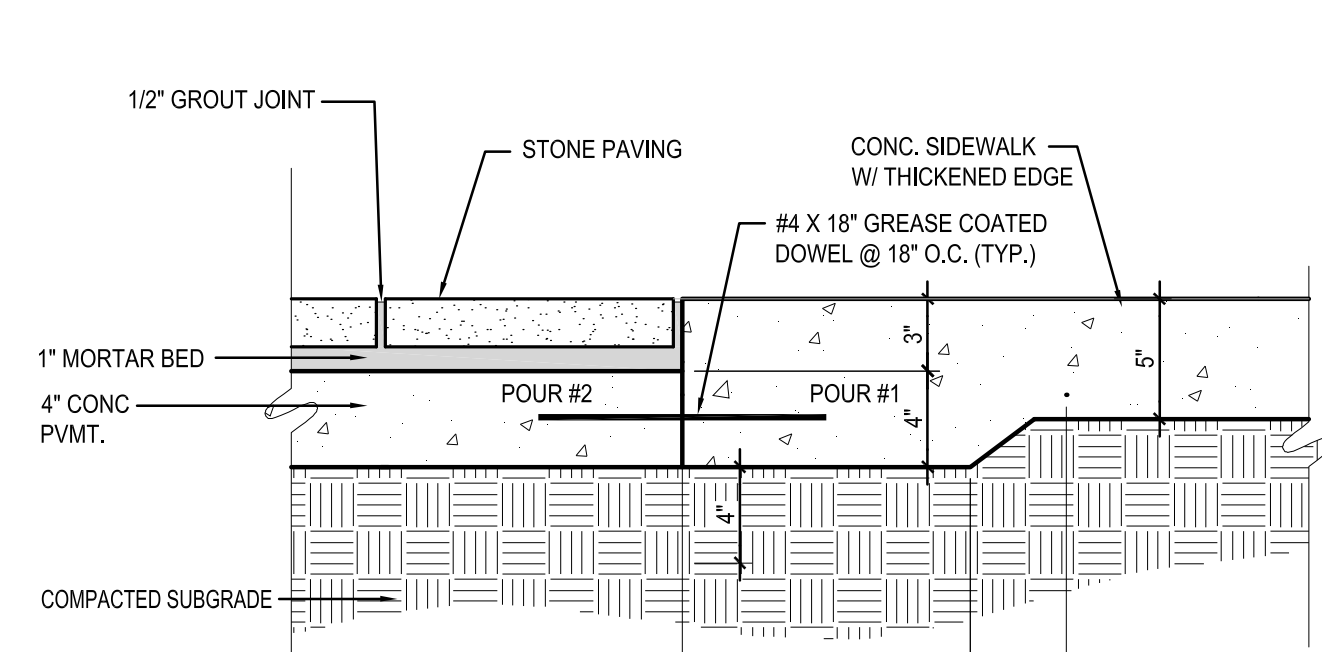
**F INTEGRAL COLOR CONCRETE JOINT DETAIL**  
SCALE: 1 1/2" = 1'-0"



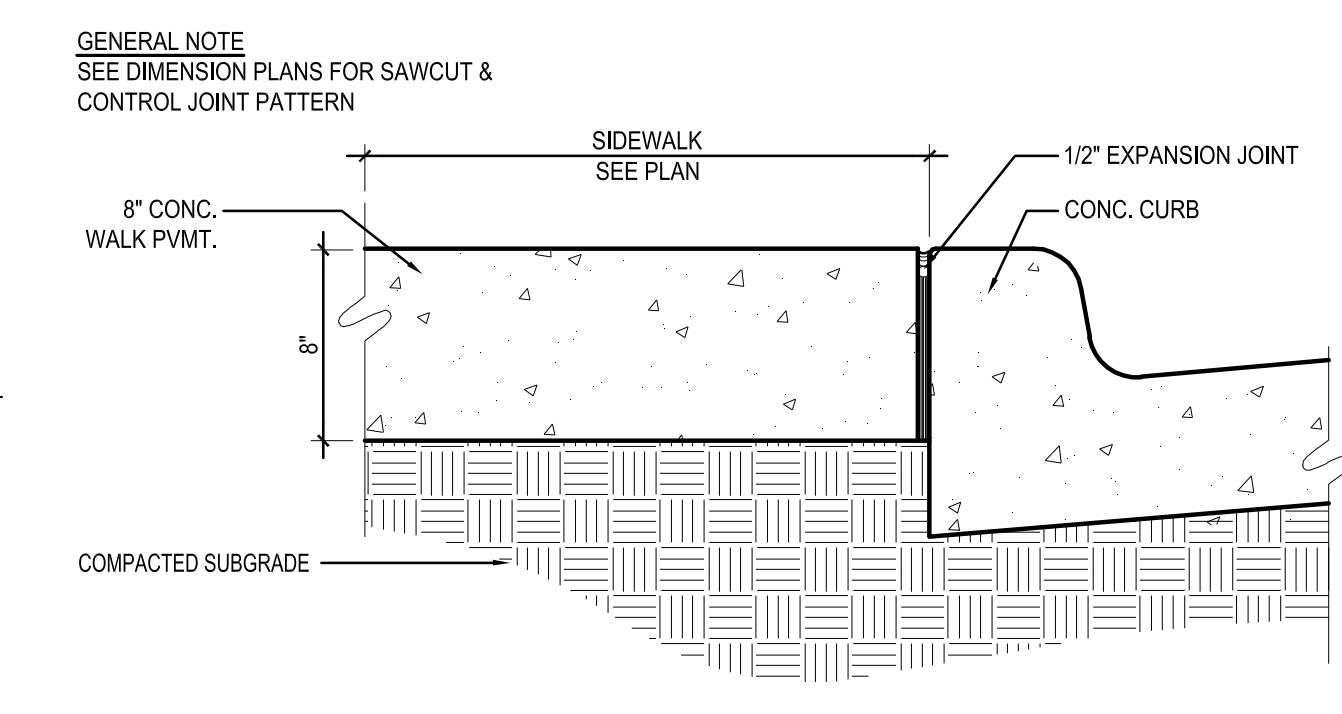
**J CONC. MAINTENANCE SIDEWALK**  
SCALE: 1 1/2" = 1'-0"



**C CONC. FALSE JOINT**  
SCALE: 1 1/2" = 1'-0"



**G STONE / CONCRETE SIDEWALK**  
SCALE: 1 1/2" = 1'-0"



**K CONC. SIDEWALK @ CURB EDGE**  
SCALE: 1" = 1'-0" (AT CURB EDGE)

**PLAZA HARDSCAPE AND  
FENCING IMPROVEMENTS  
BOTANICA - THE WICHITA GARDENS**

**DETAILS**

SHEET TITLE  
**472-84977**  
PROJECT NUMBER

DESIGN BY  
**BJH**  
DRAWN BY  
**BJH**  
CHECKED BY  
**JAG**

ISSUED  
**MARCH 8, 2011**  
REVISED

SHEET NO.

**18 of 21**