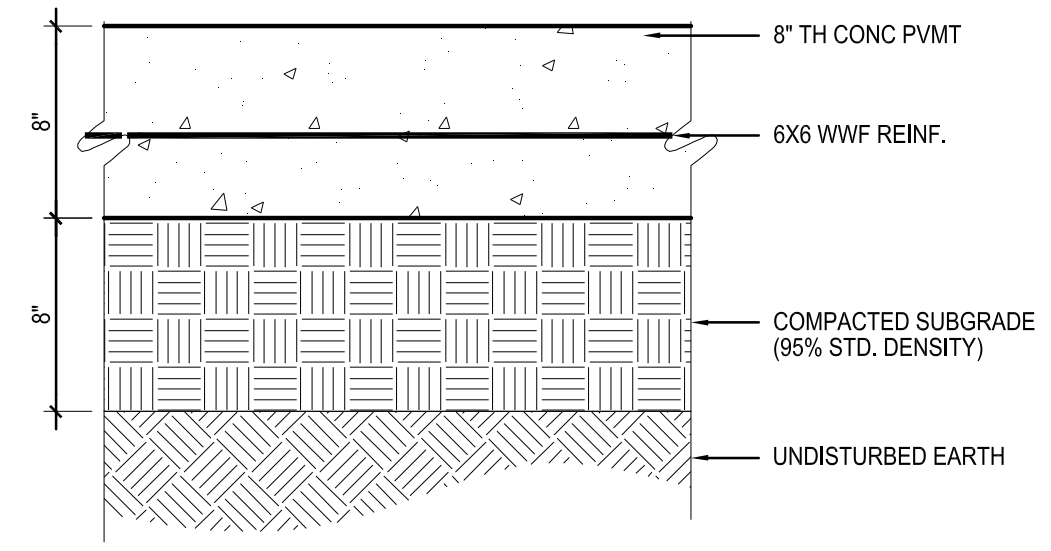


**PLAZA HARDSCAPE AND
FENCING IMPROVEMENTS
BOTANICA - THE WICHITA GARDENS**

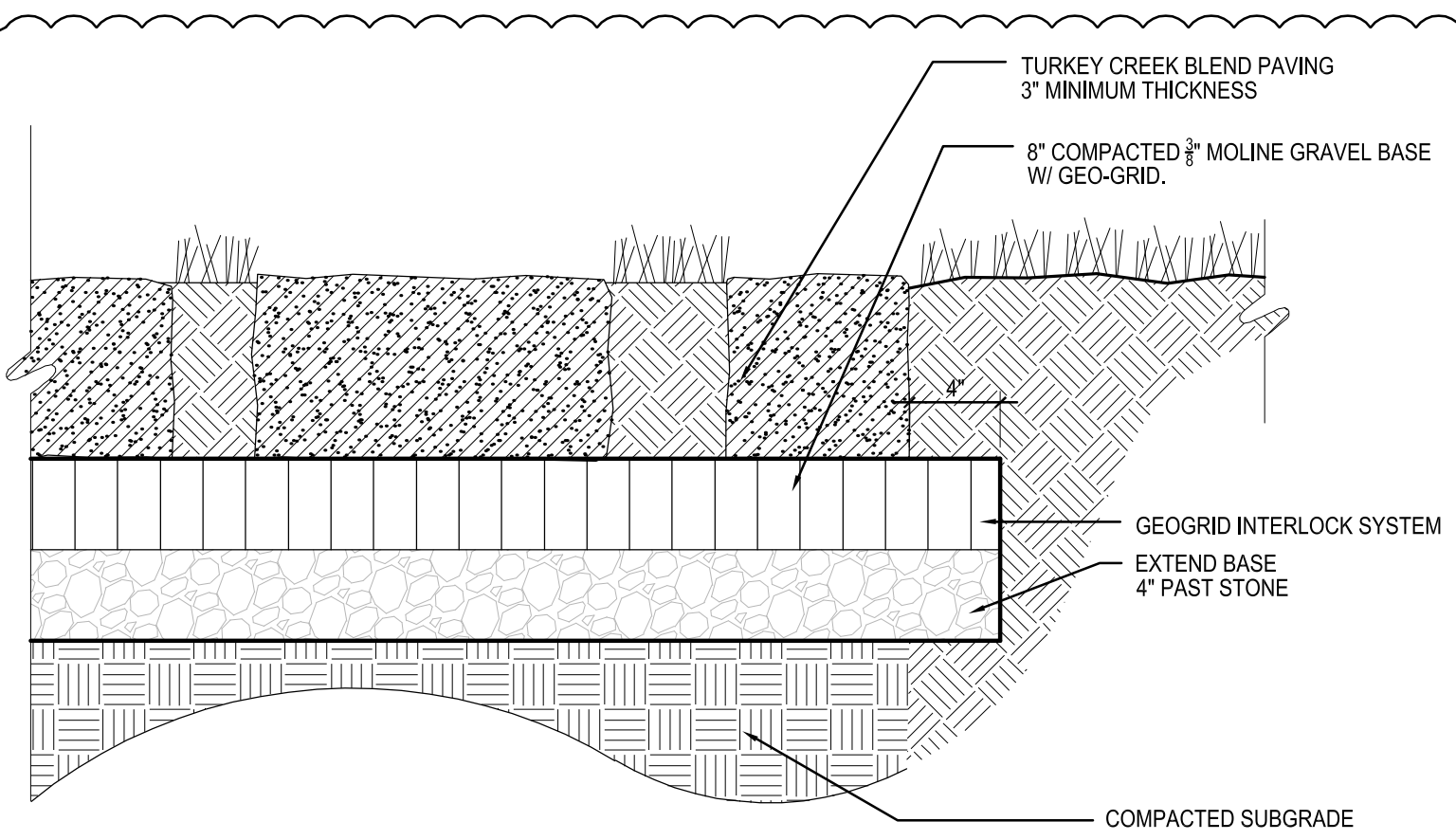
GENERAL NOTES

- 1) CONCRETE SHALL HAVE A MINIMUM COMPRESSIVE STRENGTH OF 4,000 PSI AT 28 DAYS. CONTRACTOR SHALL SUBMIT CONCRETE MIX DESIGN TO ENGINEER FOR APPROVAL, PRIOR TO CONSTRUCTION.
- 2) CONCRETE SHALL CONFORM TO THE CURRENT "ACI MANUAL OF CONCRETE PRACTICE."
- 3) PORTLAND CEMENT SHALL CONFORM TO ASTM-C150, TYPE OR III.
- 4) AGGREGATE FOR NORMAL WEIGHT CONCRETE SHALL MEET ASTM C33.
- 5) REINFORCING SHALL MEET ASTM A615 OR GR60.
- 6) PAVEMENT SYSTEM MOCK-UP SHALL BE REQUIRED PRIOR TO COMMENCEMENT OF WORK. PAVEMENT SYSTEM MOCK-UP MAY VARY IN LENGTH (TO BE DETERMINED BY LANDSCAPE ARCHITECT).
- 7) PAVEMENT DEPTH ALL DRIVE LANES SHALL BE 8" TH CONC. ALL OTHER AREAS, INCLUDING PARKING, WALKS, PLAZAS, ETC. SHALL BE 5" TH. CONC.
- 8) ALL CONCRETE FORMS SHALL BE APPROVED BY BOTANICA PRIOR TO COMMENCING INSTALLATION.
- 9) INTEGRALLY COLORED CONCRETE PLAZA AREA SHALL BE DECORATED WITH A SANDBLASTED RIVER DESIGN. DESIGN SHALL BE PROVIDED BY BOTANICA. COSTS FOR INSTALLATION OF DECORATIVE CONCRETE ARE SUBSIDIARY TO THIS AREA. JOINTS IN INTEGRALLY COLORED AREAS SHALL BE HAND TOOLED ONLY.

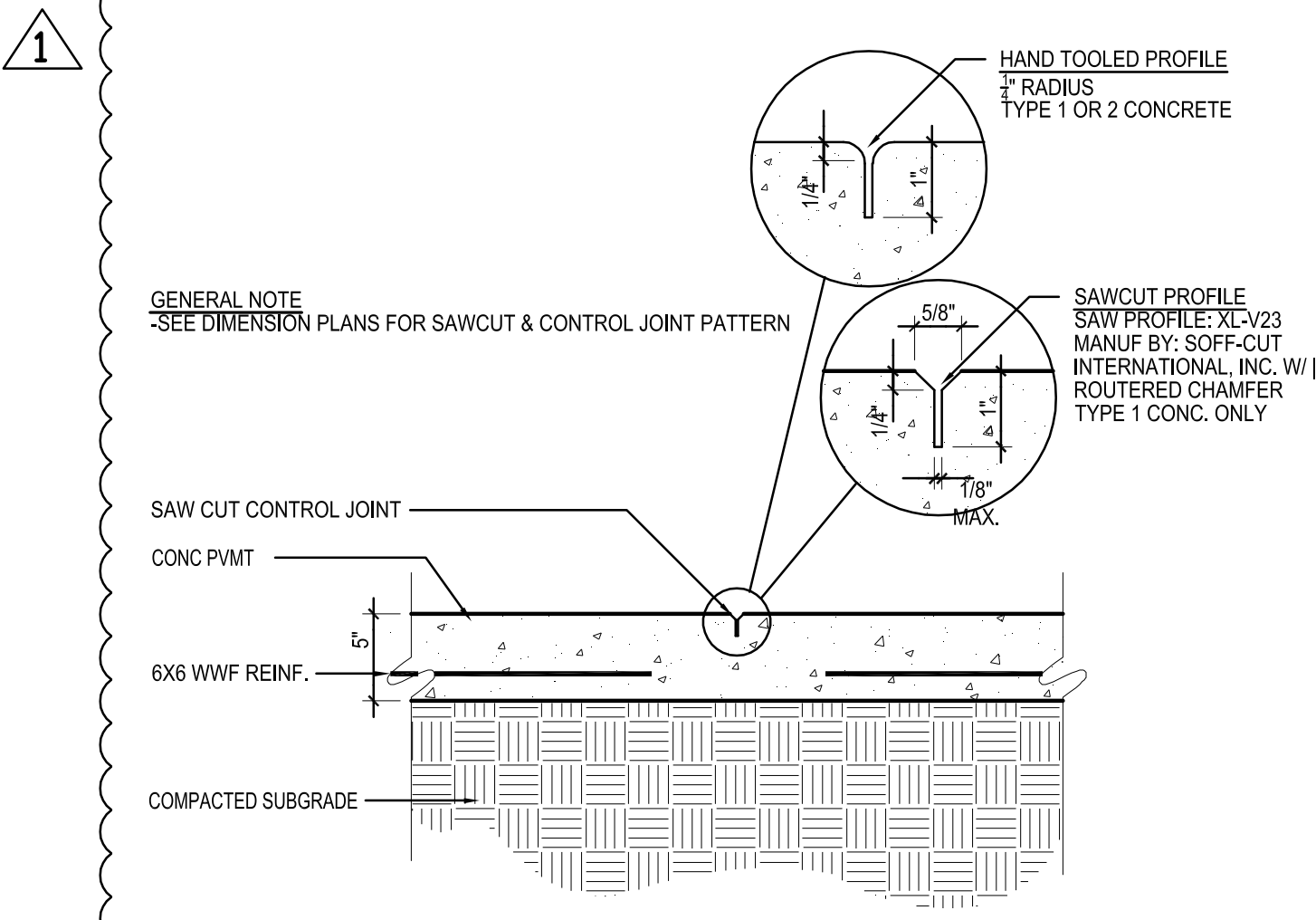
GENERAL NOTE:
REFER TO DIMENSION PLAN FOR PAVEMENT DEPTHS.



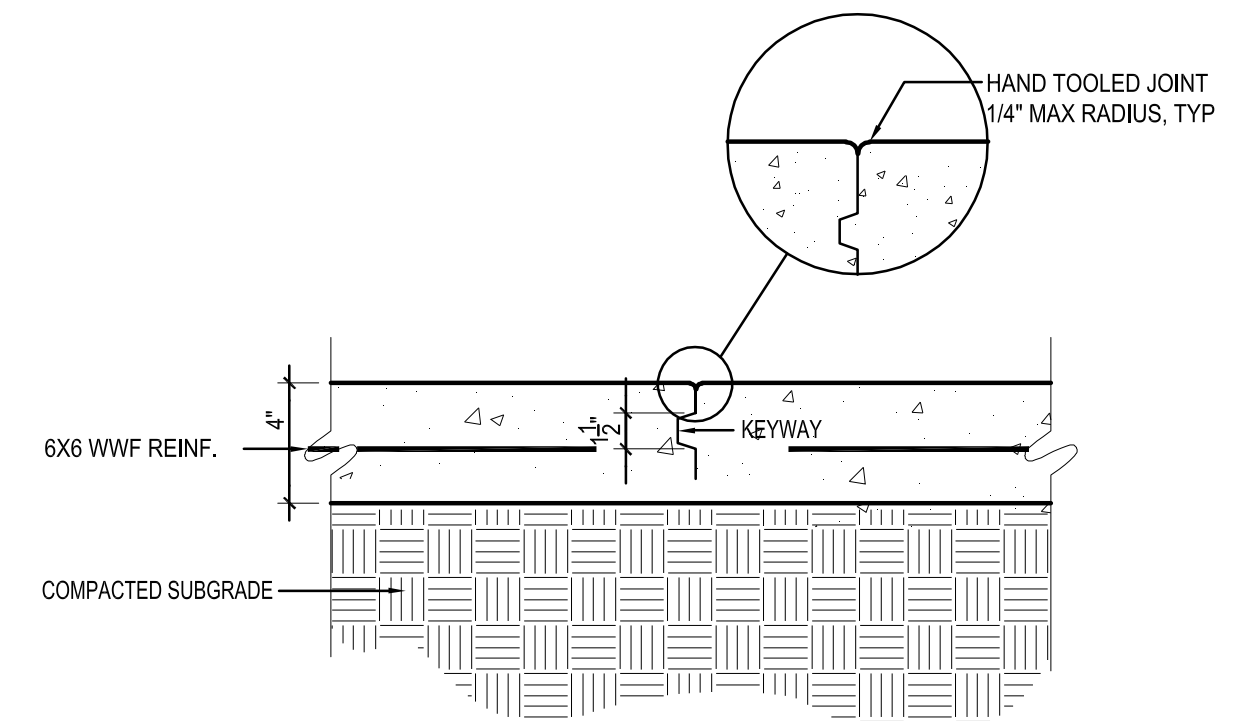
D TYP SECTION: 8" CONC. PVMT.
SCALE: 1 1/2" = 1'-0" TYP. OF DRIVE ISLES



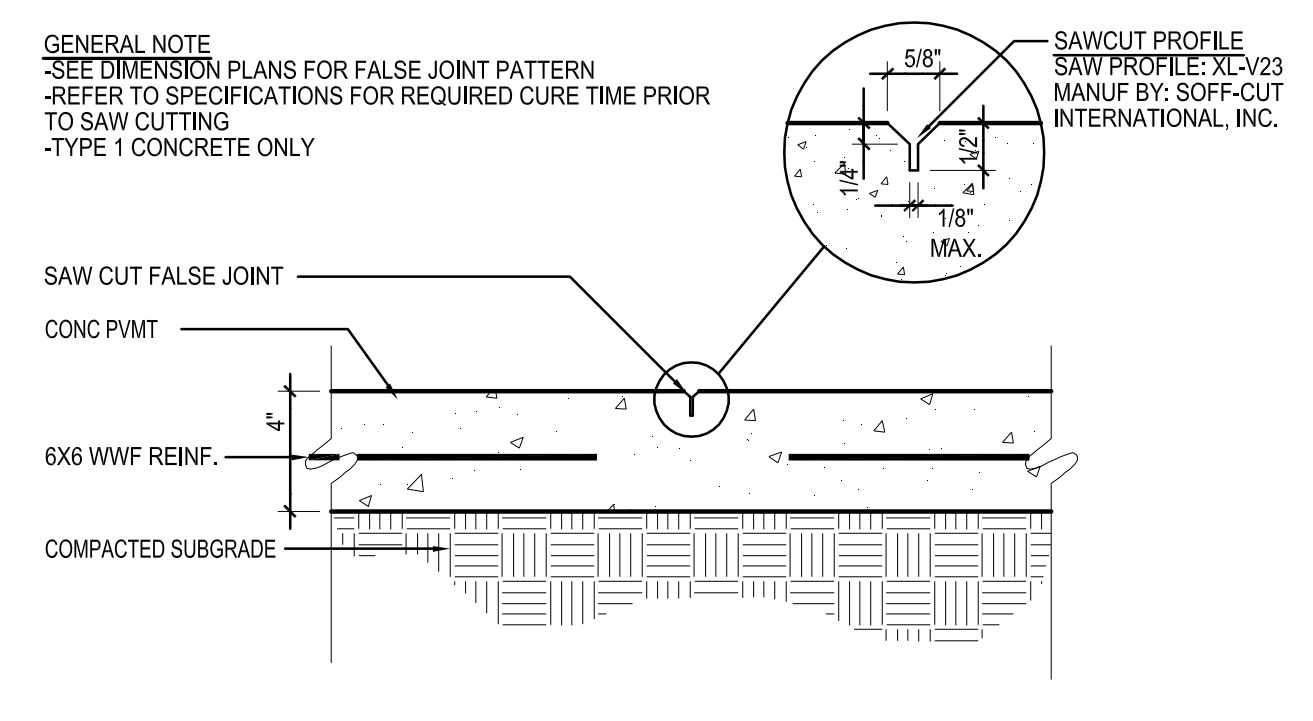
H TYPICAL STONE PAVING IN TURF AREA
SCALE: 1 1/2" = 1'-0"



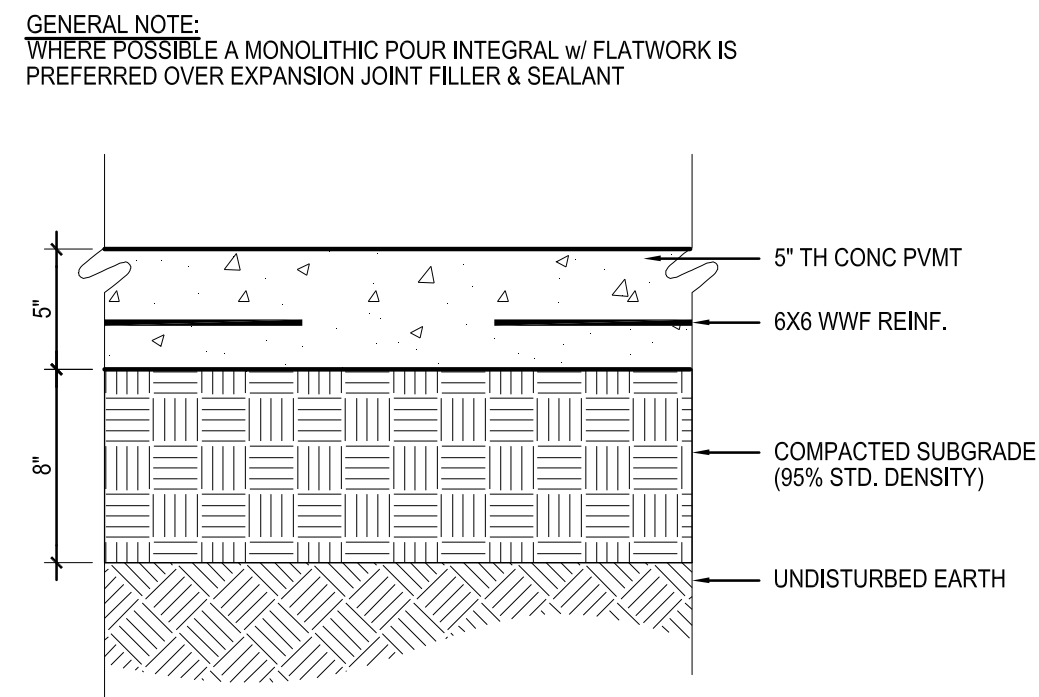
A CONC. CONTROL JOINT
SCALE: 1 1/2" = 1'-0"



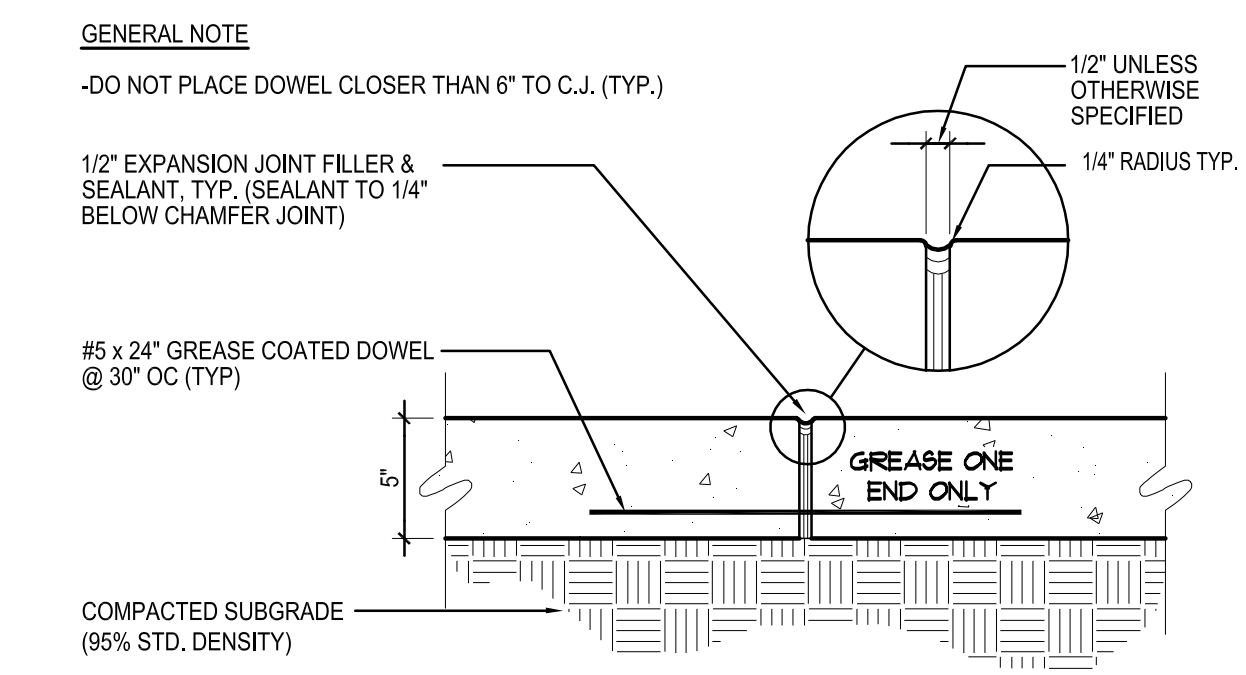
B CONC. CONSTRUCTION JOINT
SCALE: 1 1/2" = 1'-0"



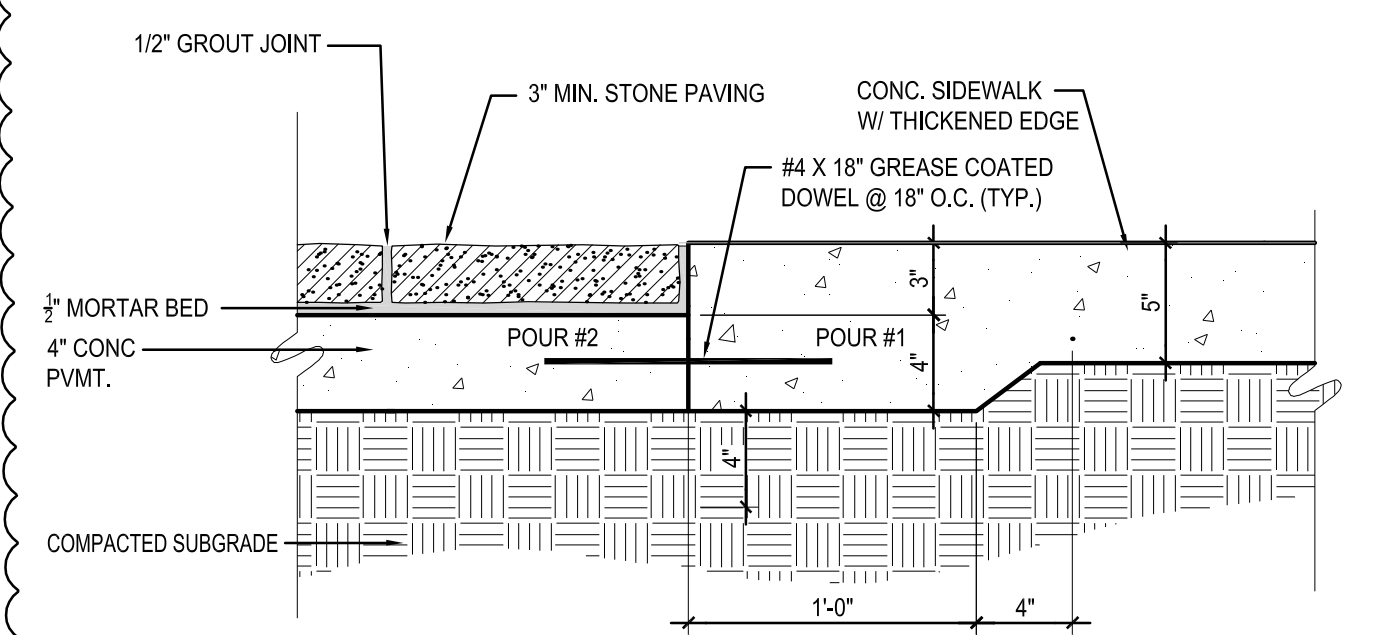
C CONC. FALSE JOINT
SCALE: 1 1/2" = 1'-0"



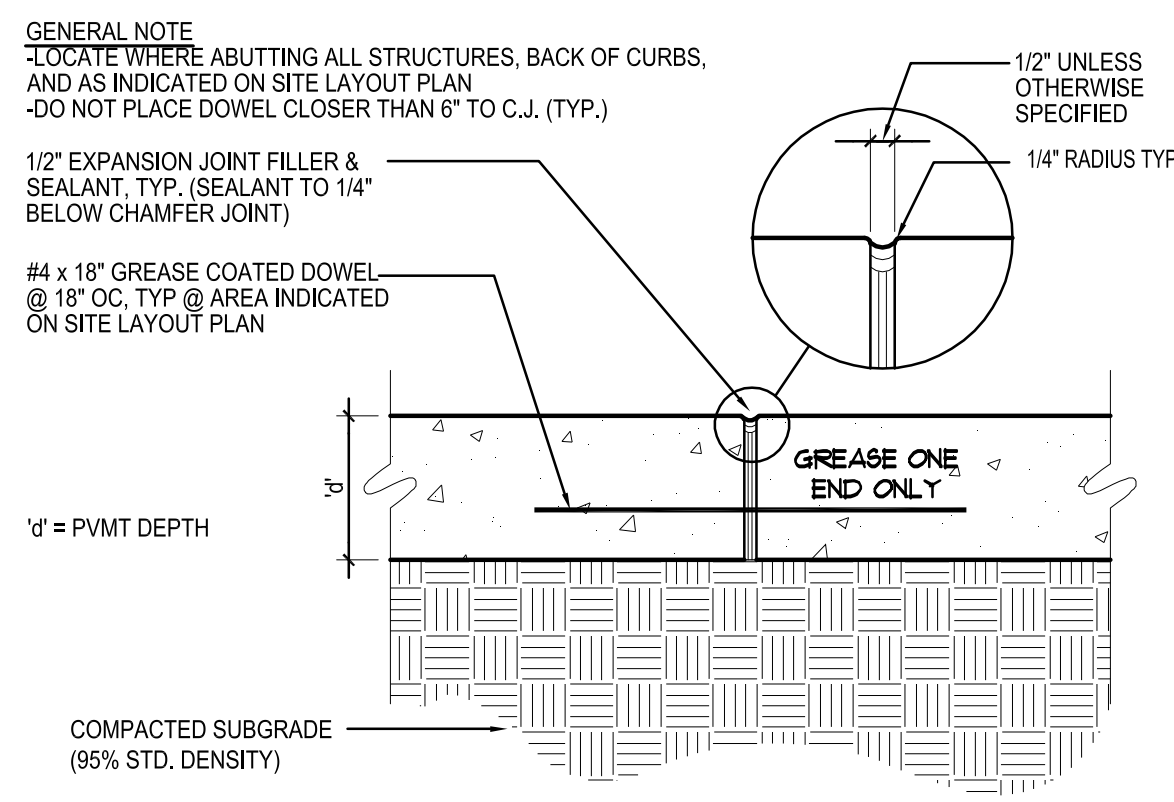
E TYP SECTION: 5" CONC. PVMT.
SCALE: 1 1/2" = 1'-0" TYP. OF PARKING AREAS



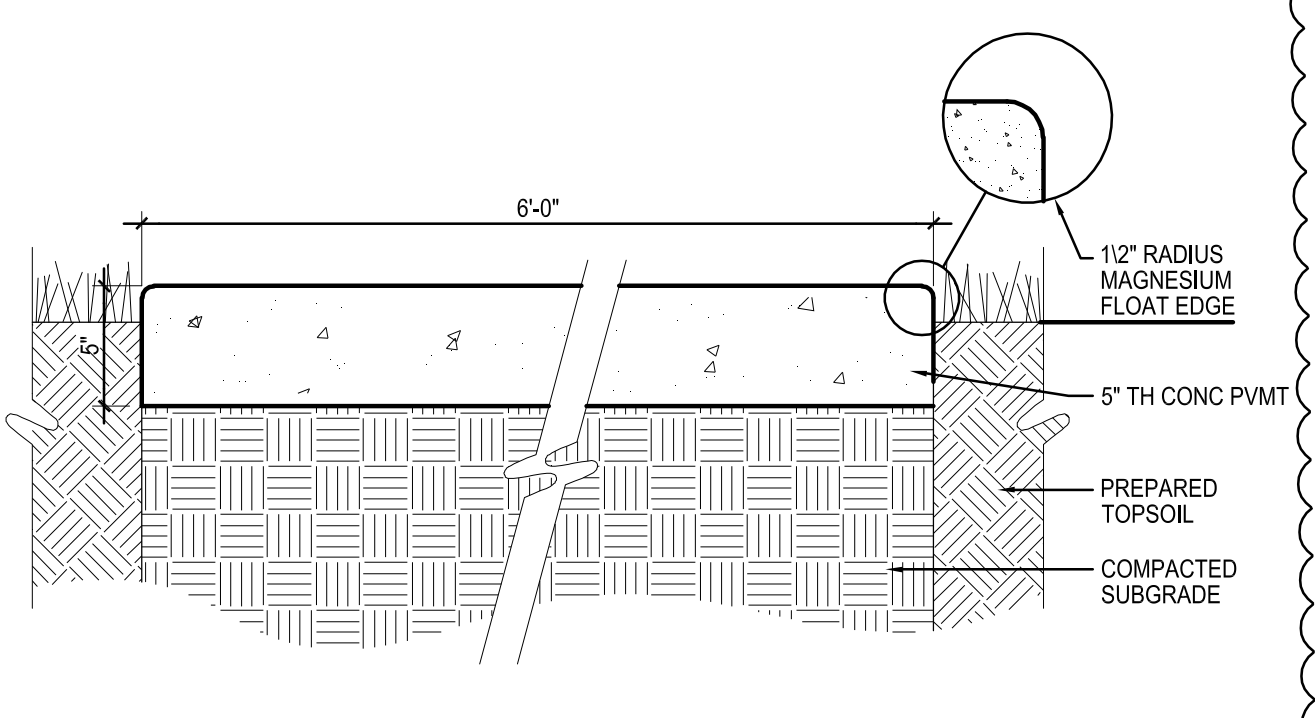
F INTEGRAL COLOR CONCRETE JOINT DETAIL
SCALE: 1 1/2" = 1'-0"



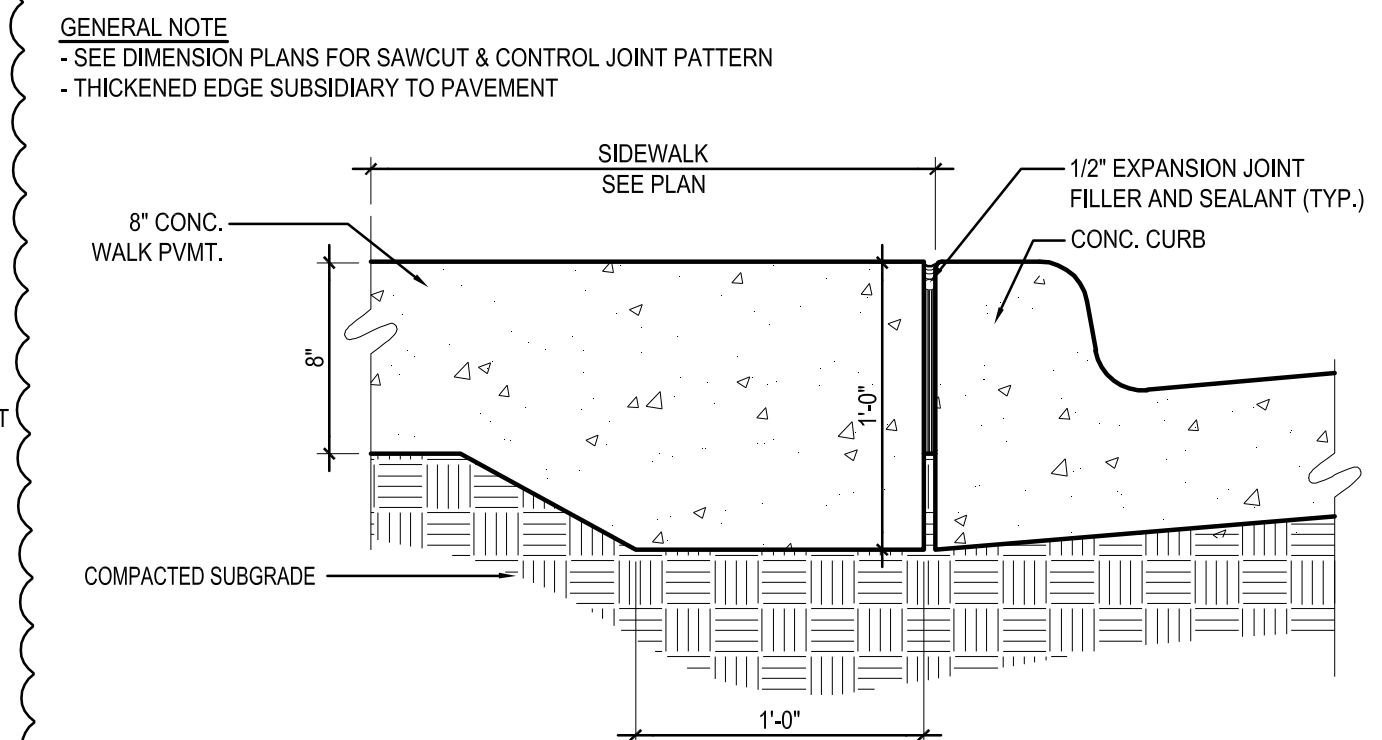
G STONE / CONCRETE SIDEWALK
SCALE: 1 1/2" = 1'-0"



I GREASED DOWEL @ EXP. JOINT
SCALE: 1 1/2" = 1'-0" (INDICATED E.J./D.J. ON LAYOUT PLAN)



J CONC. MAINTENANCE SIDEWALK
SCALE: 1 1/2" = 1'-0"



K CONC. SIDEWALK @ CURB EDGE
SCALE: 1 1/2" = 1'-0" (AT CURB EDGE)

DETAILS

SHEET TITLE
472-84977

PROJECT NUMBER
DESIGN BY: **BJH**
DRAWN BY: **BJH**
CHECKED BY: **JAG**

ISSUED
MARCH 8, 2011
REVISED
MARCH 22, 2011

P:\PROJECTS\2008\08603\CAD\CIVIL\CD\5\08603_DET.DWG

PLOTTED: Tuesday, March 22, 2011 @ 01:14PM