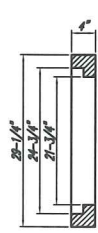
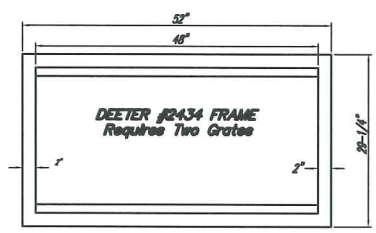


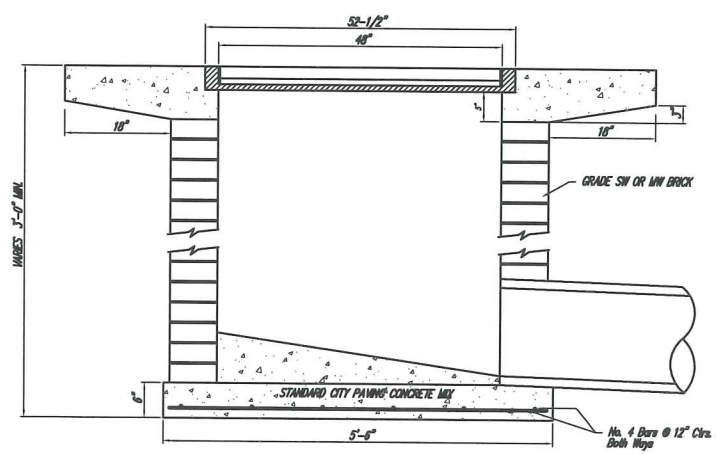
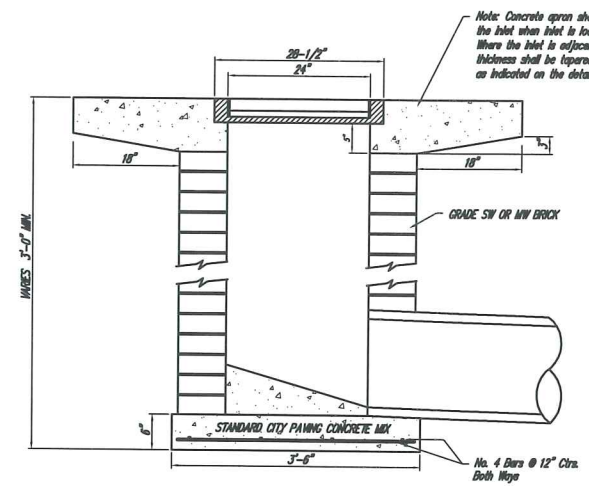
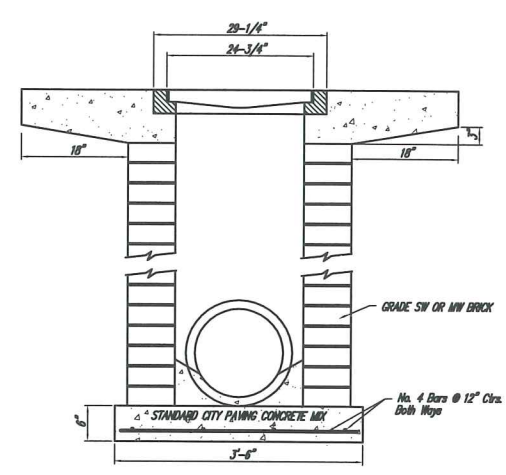
NOTE: Grates shall be imprinted on the top surface with "CITY OF WICHITA" using letters at least 1" in height. Other marking methods may be approved by the engineer.

DEETER #2433 GRATE

24" x 24" Frame and Grate Detail



Double 24" x 24" Frame Detail



<p>THE CITY OF WICHITA</p> <p>CITY ENGINEER'S OFFICE CITY HALL - SEVENTH FLOOR 426 NORTH MAIN STREET WICHITA, KANSAS 67202 (316) 268-4621 (316) 268-4114 FAX</p>	DROP INLET 2'x2' / 2'x4'	
	PROJECT NUMBER 2063 PPS	OCA # 607861
	DATE MAR 08	SHEET X OF X

16840 Dunes Drive, Suite M
Wichita, Kansas 67203
CONTACT: Zack Edwards P. (317) 723-8022

1700 S. Brentwood Blvd.
St. Louis, Missouri 63114
CONTACT: Dan Stone P. (636) 537-3889

1818 Chestnut Avenue
St. Louis, Missouri 63103
CONTACT: Tim Schreiber P. (636) 442-0035

ELECTRICAL:
Ruggles & Bohm
1700 S. Brentwood Blvd.
St. Louis, Missouri 63114
CONTACT: Tim Ruggles P. (631) 954-4008

PLUMBING:
Ruggles & Bohm
1700 S. Brentwood Blvd.
St. Louis, Missouri 63114
CONTACT: Dan Stone P. (636) 537-3889

PILE PROTECTION:
Ruggles & Bohm
1700 S. Brentwood Blvd.
St. Louis, Missouri 63114
CONTACT: Tim Schreiber P. (636) 442-0035

CONTRACTOR:
ARCO
National Construction Company, Inc.
1750 S. BRENTWOOD BLVD
ST. LOUIS, MISSOURI 63114
(P) 314-983-0715 (F) 314-983-0714
WWW.ARCOCONSTRUCTION.COM

ARCHITECT:
GMA
A DIVISION OF ARCO NATIONAL CONSTRUCTION
1750 S. SOUTH BRENTWOOD
ST. LOUIS, MISSOURI 63114
(P) 314-822-5191 (F) 314-983-4798
WWW.GMADESIGN.COM

PROPOSED INNOVATION CENTER FOR:
Cargill
CARGILL MEAT SOLUTIONS CORPORATION
WICHITA, KANSAS

DROP INLET DETAILS

JOB NO:
Add in Project Info

DRAWN BY:
Add in Sheet

ISSUE DATE:
05.28.2010

REVISIONS:

DATE

SHEET NUMBER
C3.3



Ruggles & Bohm, P.A.
Engineering, Surveying, Land Planning
924 North Main (316) 264-8008
Wichita, Kansas 67203 (316) 264-4621 fax
www.rbkansas.com E-mail: info@rbkansas.com