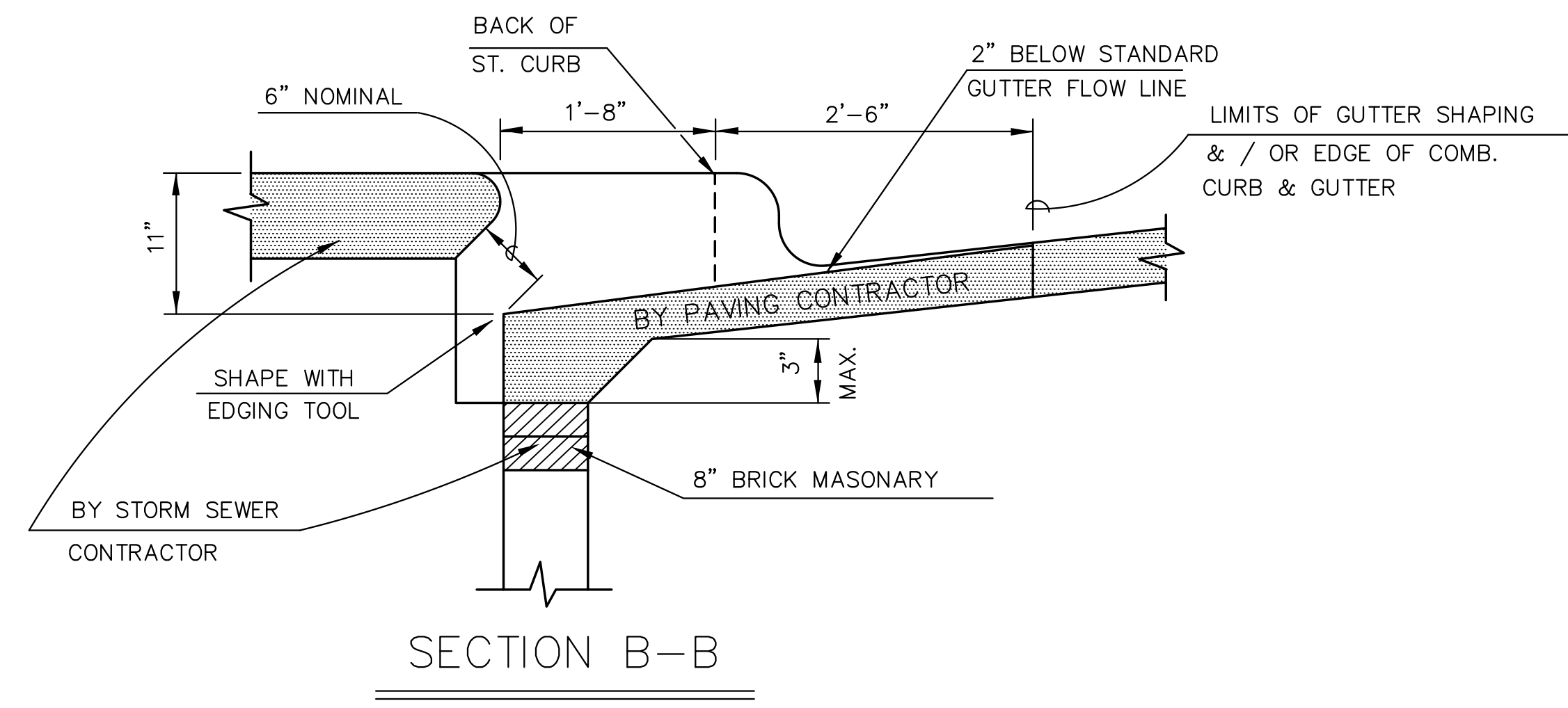
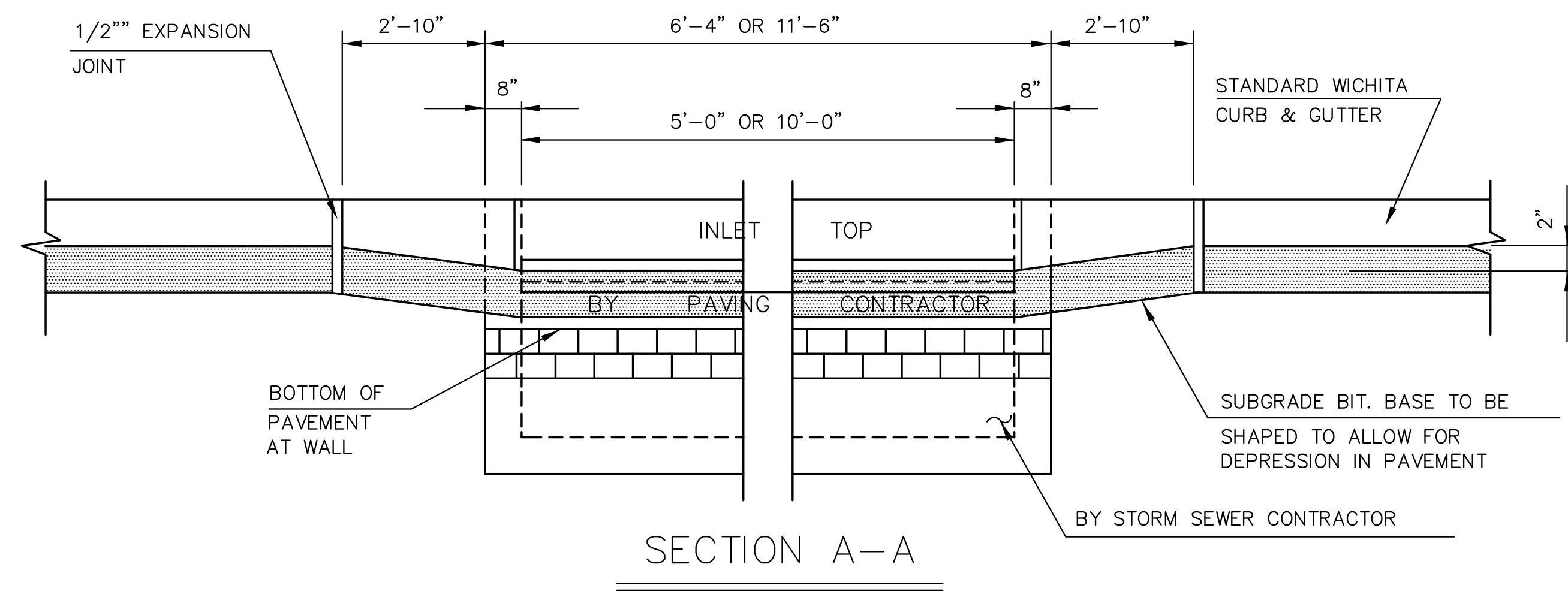


GENERAL NOTES

1. USE THE CONCRETE MIX SPECIFIED FOR CITY OF WICHITA CONCRETE PAVEMENT. ALL EXPOSED EDGES SHALL BE FINISHED WITH AN EDGING TOOL.
2. TYPE 1A INLET HOOKUP WILL BE PAID EACH REGARDLESS OF SIZE.
3. ADDITIONAL CURB & GUTTER CONSTRUCTION NECESSARY TO CONNECT SET BACK INLET TO PAVEMENT WILL BE PAID FOR AT THE UNIT PRICE BID FOR EACH INLET



TYPE 1A INLET HOOKUP
(BY PAVING CONTRACTOR)

PHASE 1 PAVING PLANS
GREENWICH OFFICE PARK SECOND
BERKELEY SQUARE FIRST ADDITION

**INLET HOOKUP
DETAILS**
SHEET TITLE:
472-84959
468-84749
PROJECT NUMBERS

DFL / KKL / GJA
DESIGNED / DRAWN / CHECKED

ISSUED
March 2011
REVISED

SHEET NO.
7 of 26