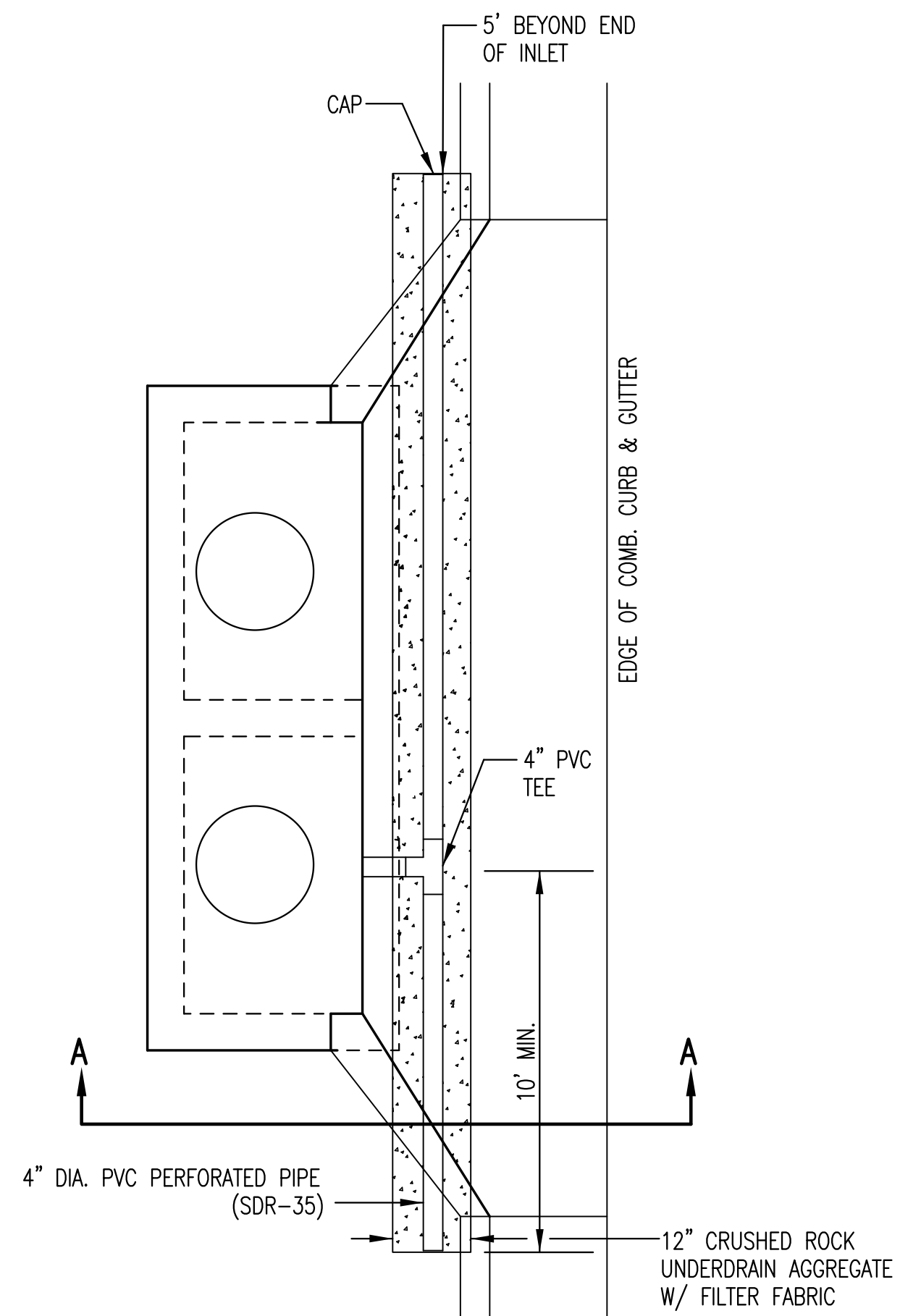


**TYPE 1 & 2 INLET**



**TYPE 1-A INLET**

**CRUSHED ROCK GRADATION REQUIREMENTS  
PERCENT OF AGGREGATE RETAINED**

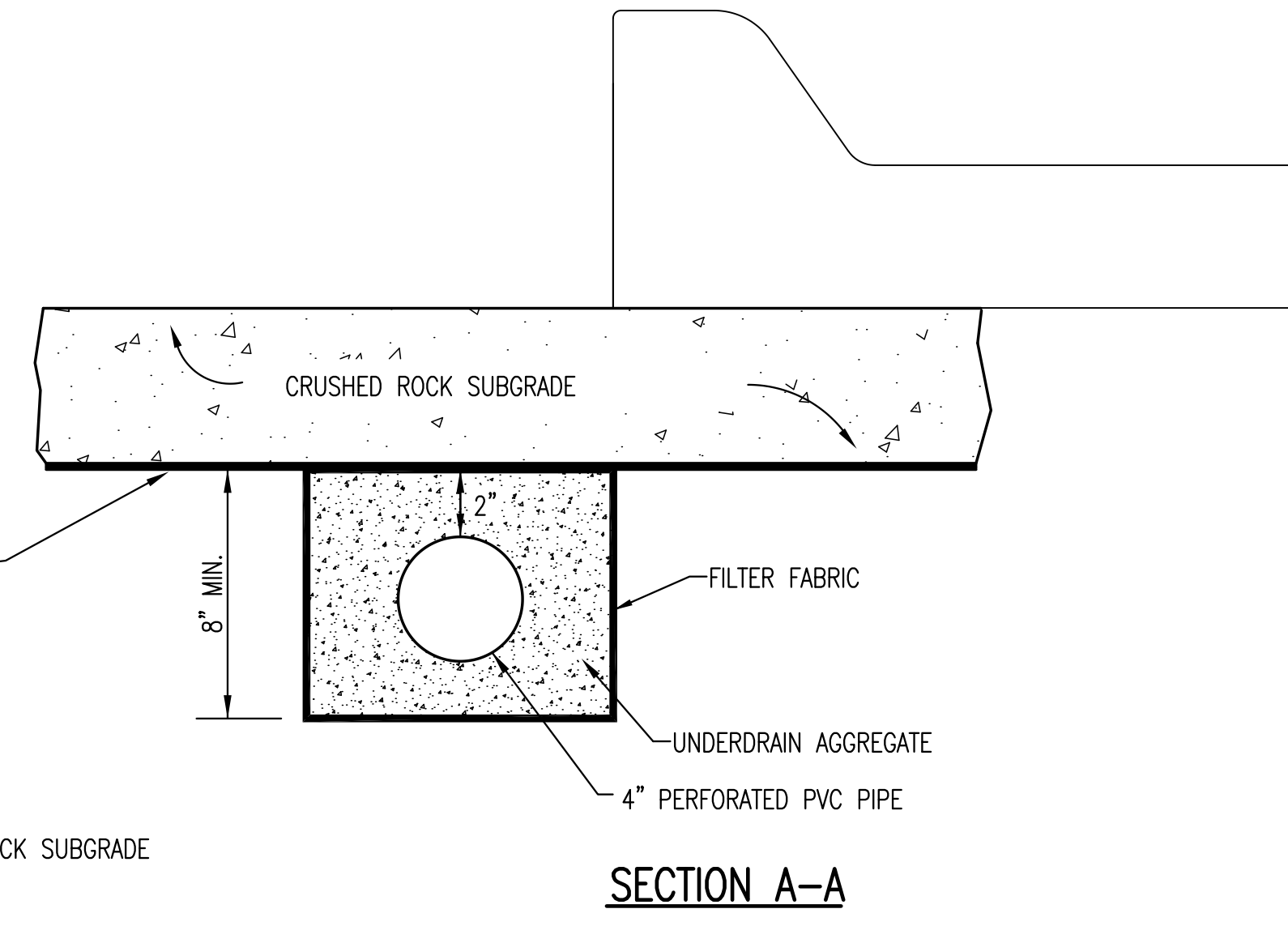
1 1/2"	0
3/4"	15-60
# 4	40-80
#40	74-92
P-200	4-12

ROCK QUALITY SHALL BE THE SAME AS SPECIFIED FOR COARSE AGGREGATE FOR ASPHALT CONCRETE MIXES.

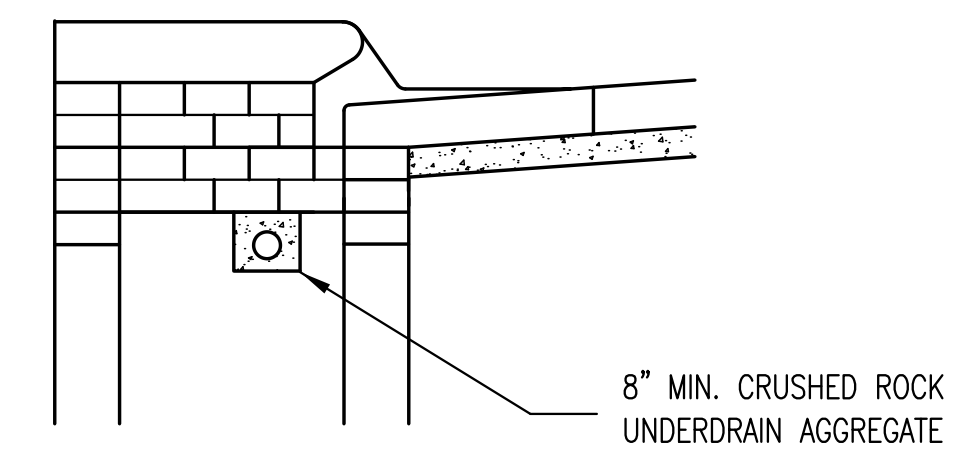
**GENERAL NOTES**

- PAVEMENT CONTRACTOR WILL BE REQUIRED TO INSTALL SDR 35, 4" PERFORATED DRAIN PIPE AND TEE AS INDICATED IN THE DETAILS ABOVE. A PIPE STUB HAS BEEN INSTALLED THROUGH WALLS OF CURB INLETS BY OTHERS IN A MANNER ALLOWING CONNECTION OF ADDITIONAL DRAIN PIPE AND TEE AS REQUIRED BY DETAILS ABOVE.
- WHEN SWD CONSTRUCTED BY SEPARATE PROJECT, SWS CONTRACTOR SHALL INSTALL SDR 35, 4" DRAIN PIPE STUB ONLY THROUGH WALLS OF CURB INLETS AND CAP TO ALLOW FUTURE CONNECTION OF TEE AND ADDITIONAL DRAIN PIPE BY OTHERS.

BID ITEM TO BE PROVIDED PER 4" PERFORATED UNDERDRAIN PIPE.

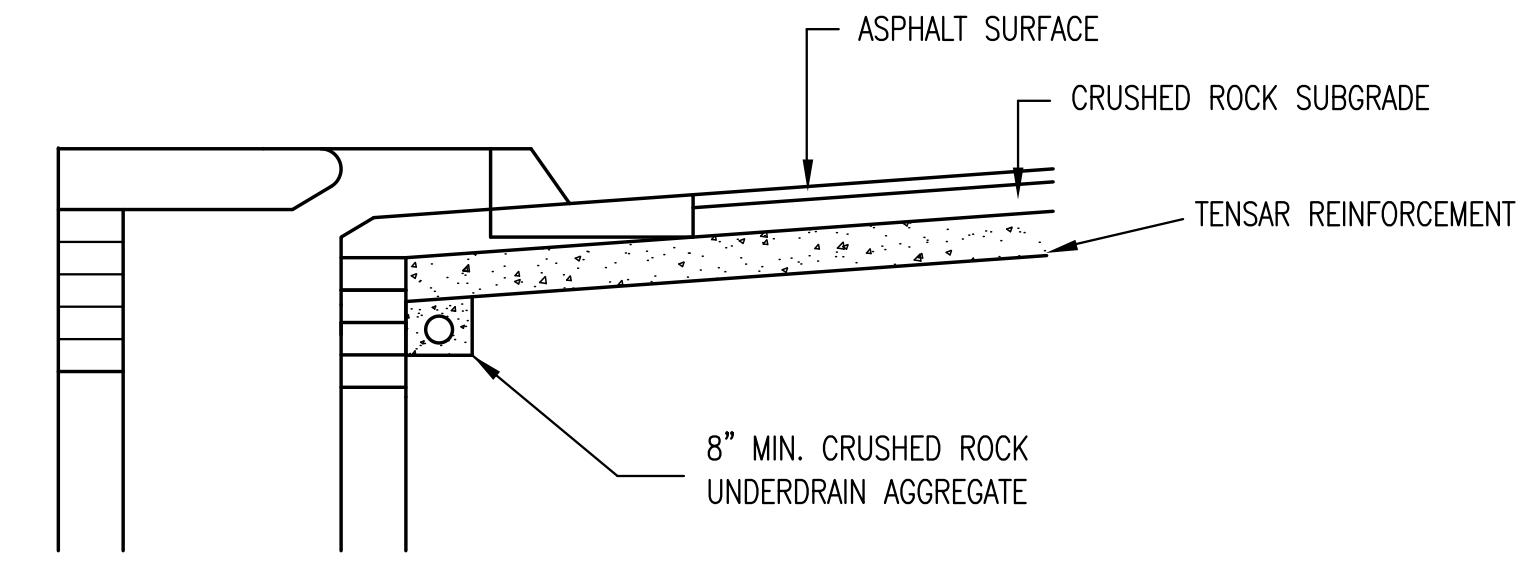


**SECTION A-A**



(MIN. 16 PERFORATIONS PER LIN. FT. @ 1/4" DIA.)  
PERFORATIONS TO BE ON BOTTOM HALF

**SECTION A-A**



Saved 03-21-2011 10:42:20 AM by LUCIETIK  
 Plot Scale 1:1 03-20-2011 8:44:23 AM by AARON LUCIETIK  
 J:\Projects\2010\10356 - Regent Park-AL-1001080356\CAD\Civil\Plan\COM\10356\_EDB



<b>CURB INLET PAVEMENT UNDERDRAIN DETAIL</b>			
CITY ENGINEER <b>JAMES L. ARMOUR, P.E., L.S.</b>			
PROJECT NUMBER 472-84959	OCA NUMBER 766263	DATE 3/2011	
CITY ENGINEER'S OFFICE CITY HALL - SEVENTH FLOOR 455 NORTH MAIN STREET WICHITA, KANSAS 67202-1620 (316) 268-4501		DESIGN	DRAWN
		SHEET <b>8 of 26</b>	