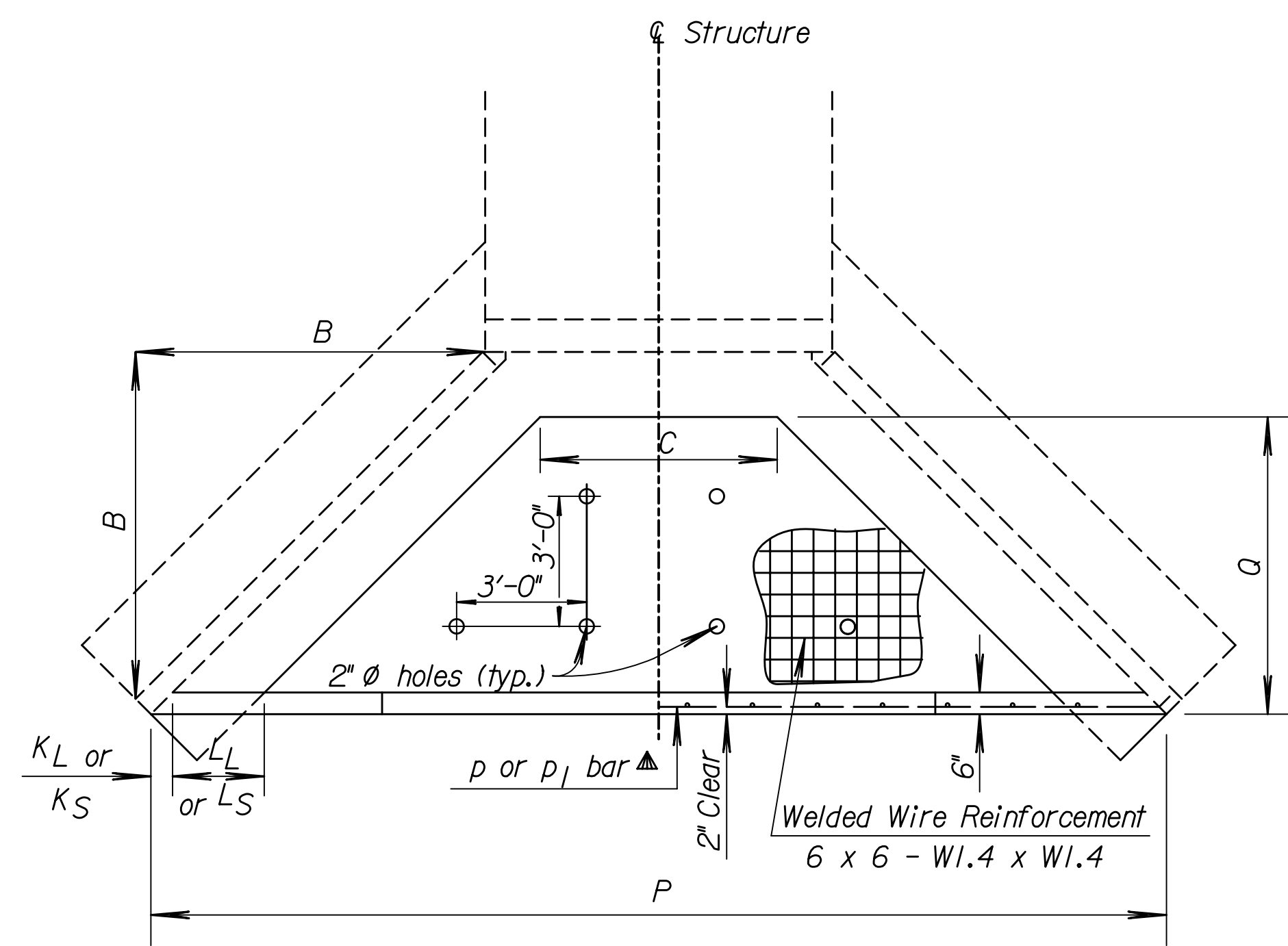
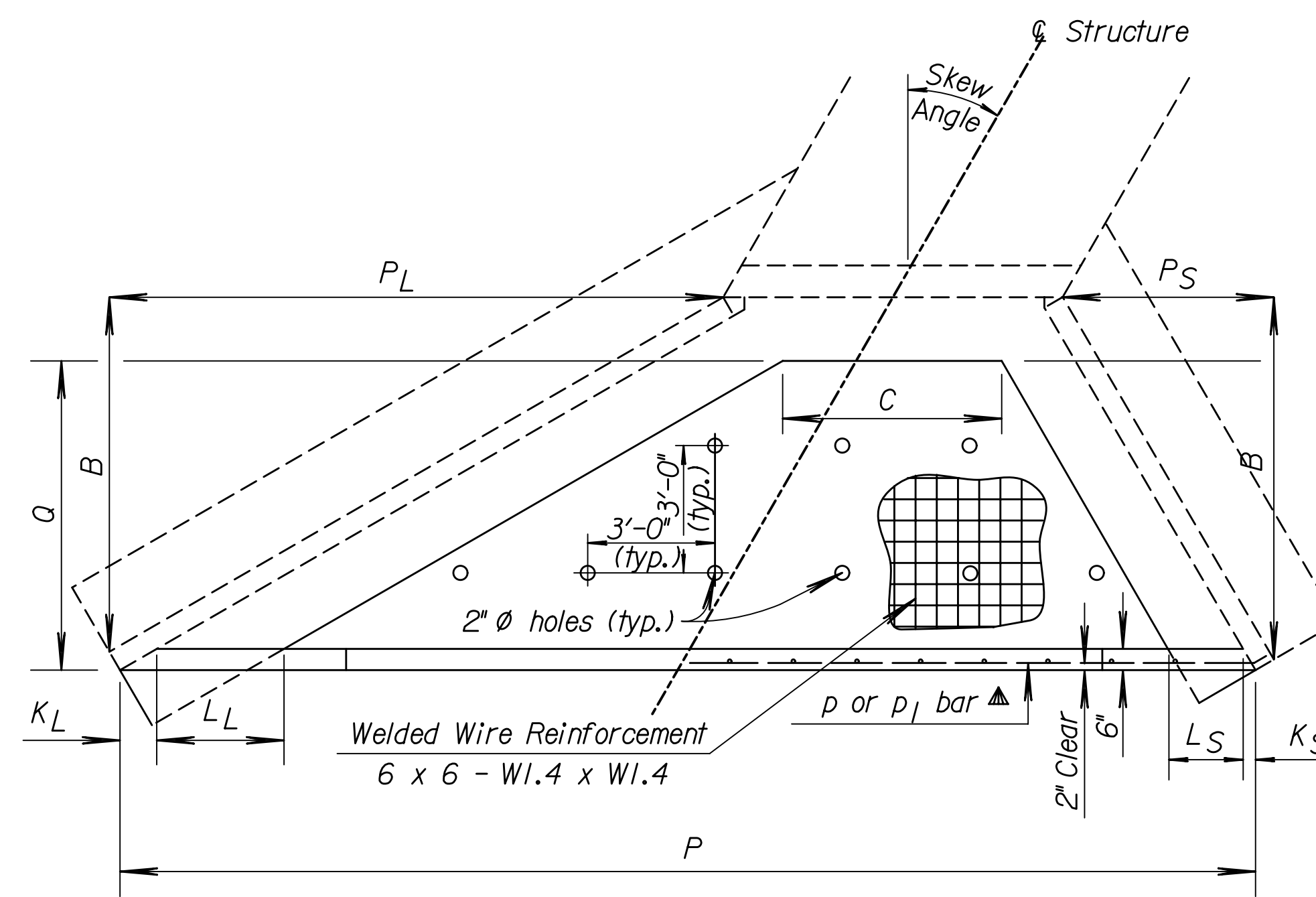


STATE	PROJECT NO.	YEAR	SHEET NO.	TOTAL SHEETS
KANSAS	472-84694	2010	68	149

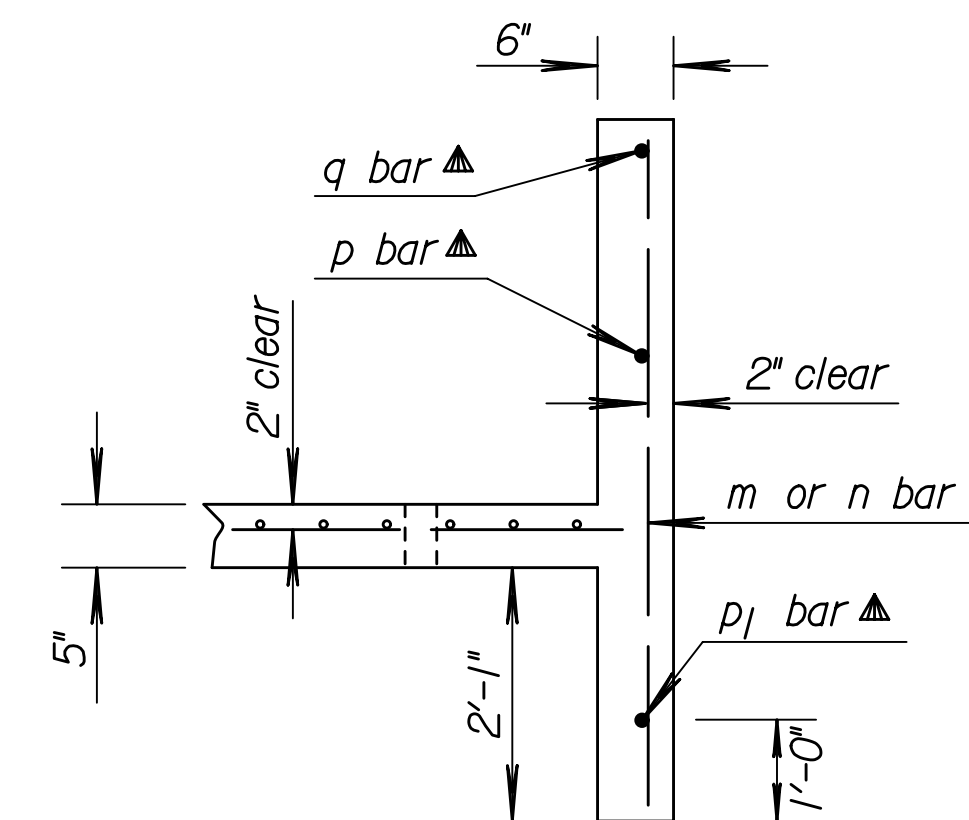


PLAN

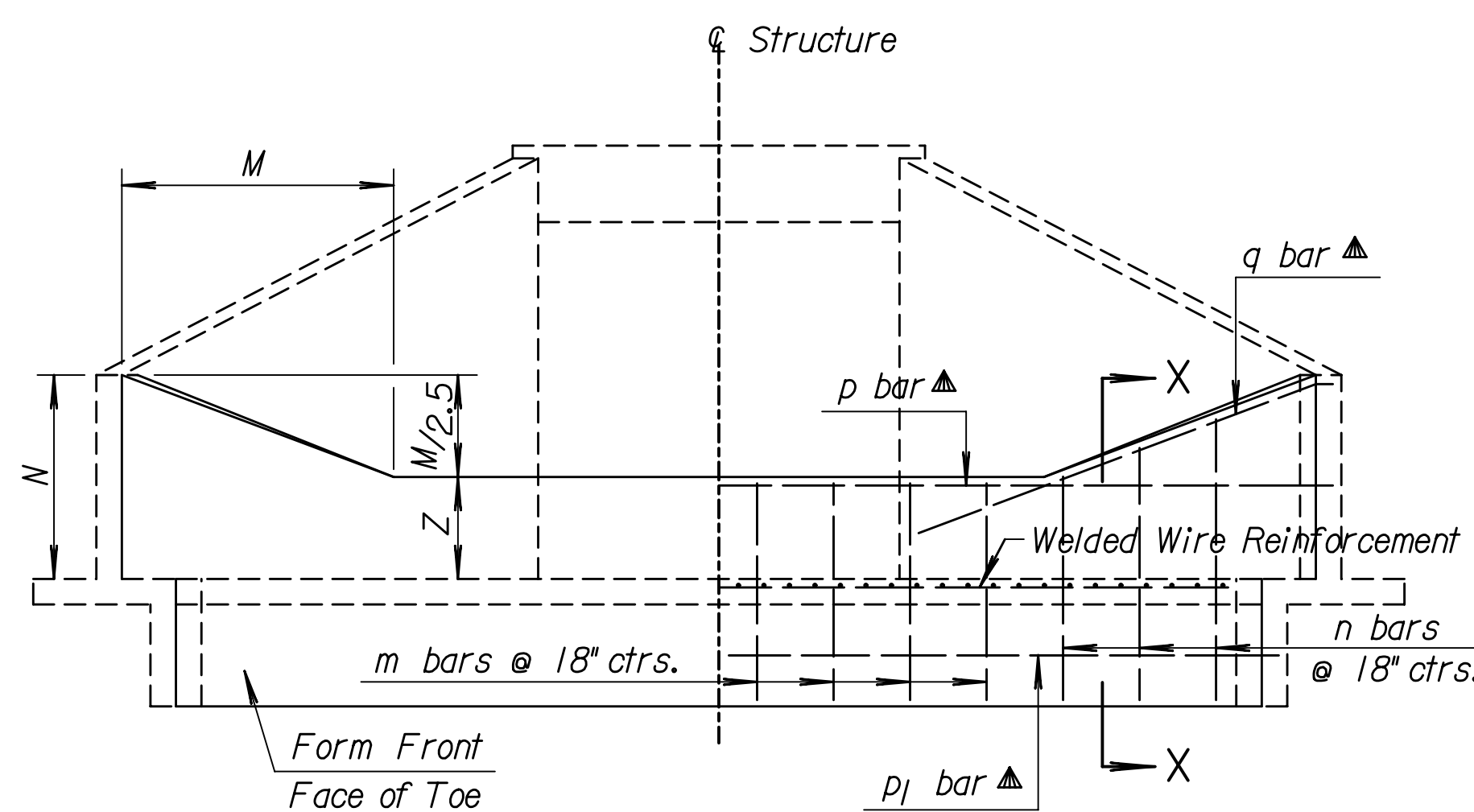


PLAN - SKEW

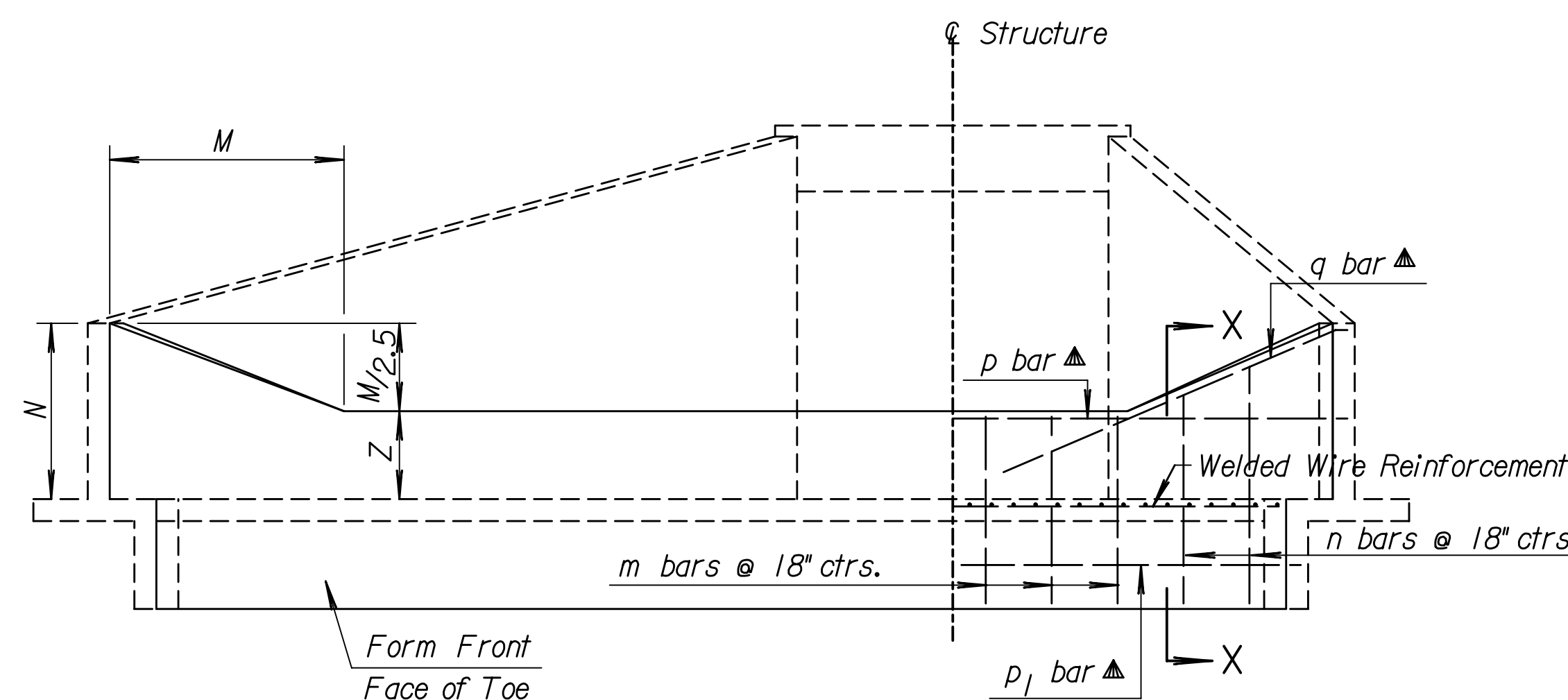
▲ Drill and grout p and q bars into wingwalls and p1 bar into wing footings when the soil saver end wall is constructed separately from the wingwalls. Drilling and grouting shall be Subsidiary to the bid item "Reinforcing Steel".



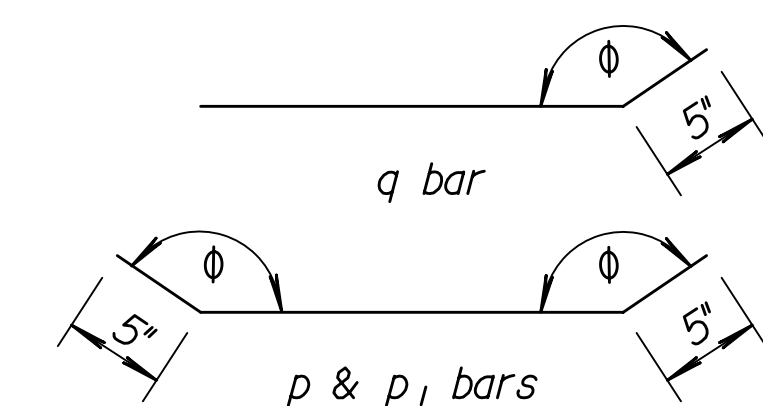
SECTION X-X



ELEVATION AND SECTION



ELEVATION AND SECTION



∅ Angle varies according to skew of R.C.B. Bars shall be field bent.

BENDING DIAGRAMS

SUMMARY OF SOIL SAVERS

Station	Culvert Size	Side	Z	Skew
228+29.00	6'x4'	Rt.	1.25'	0°

STATION: 228+29.00												
Letter	B	C	KL	KS	LL	LS	M	N	P	PL	PS	Q
Dimension	6'-8 3/4"	5'-6 1/4"	6"	6"	1'-5"	1'-5"	5'-5"	3'-5"	19'-7 1/4"	-	-	5'-7 1/2"
Bar	m	n*	p	p1	q	q	Sq. Ft. WWR		Grade 4.0 Conc.		Cu.Yd.	
Number	7	6	1	1	2	2	62.5		2.32		2.32	
Length	3'-4"	varies	20'-3"	17'-5"	8'-5"	8'-5"	Reinf. steel		83.12		Lbs.	

STATION												
Letter	B	C	KL	KS	LL	LS	M	N	P	PL	PS	Q
Dimension	B	C	KL	KS	LL	LS	M	N	P	PL	PS	Q
Bar	m	n*	p	p1	q	q	Sq. Ft. WWR		Grade 4.0 Conc.		Cu.Yd.	
Number	m	n*	p	p1	q	q	62.5		2.32		2.32	
Length							Reinf. steel		83.12		Lbs.	

STATION												
Letter	B	C	KL	KS	LL	LS	M	N	P	PL	PS	Q
Dimension	B	C	KL	KS	LL	LS	M	N	P	PL	PS	Q
Bar	m	n*	p	p1	q	q	Sq. Ft. WWR		Grade 4.0 Conc.		Cu.Yd.	
Number	m	n*	p	p1	q	q	62.5		2.32		2.32	
Length							Reinf. steel		83.12		Lbs.	

STATION												
Letter	B	C	KL	KS	LL	LS	M	N	P	PL	PS	Q
Dimension	B	C	KL	KS	LL	LS	M	N	P	PL	PS	Q
Bar	m	n*	p	p1	q	q	Sq. Ft. WWR		Grade 4.0 Conc.		Cu.Yd.	
Number	m	n*	p	p1	q	q	62.5		2.32		2.32	
Length							Reinf. steel		83.12		Lbs.	

STATION												
Letter	B	C	KL	KS	LL	LS	M	N	P	PL	PS	Q
Dimension	B	C	KL	KS	LL	LS	M	N	P	PL	PS	Q
Bar	m	n*	p	p1	q	q	Sq. Ft. WWR		Grade 4.0 Conc.		Cu.Yd.	
Number	m	n*	p	p1	q	q	62.5		2.32		2.32	
Length							Reinf. steel		83.12		Lbs.	

STATION												
Letter	B	C	KL	KS	LL	LS	M	N	P	PL	PS	Q
Dimension	B	C	KL	KS	LL	LS	M	N	P	PL	PS	Q
Bar	m	n*	p	p1	q	q	Sq. Ft. WWR		Grade 4.0 Conc.		Cu.Yd.	
Number	m	n*	p	p1	q	q	62.5		2.32		2.32	
Length							Reinf. steel		83.12		Lbs.	

Quantities include apron and soil saver end wall.

* n bars are variable, increase by increments of 7" from 3'-8". Cut 2 each length.

Drawn By: svb
Plotted: 1/21/2011
File: I:\2008\08208\RCB\08208-rd520.dgn

KANSAS DEPARTMENT OF TRANSPORTATION				
SOIL SAVER FOR R.C. CULVERTS				
RD520				
FHWA APPROVAL	6-10-05	APP'D. James O. Brewer		
DESIGNED	QUANTITIES	TRACED	Bowser	
DESIGN CK.	DETAIL CK.	QUAN. CK.	TRACE CK. Seitz	