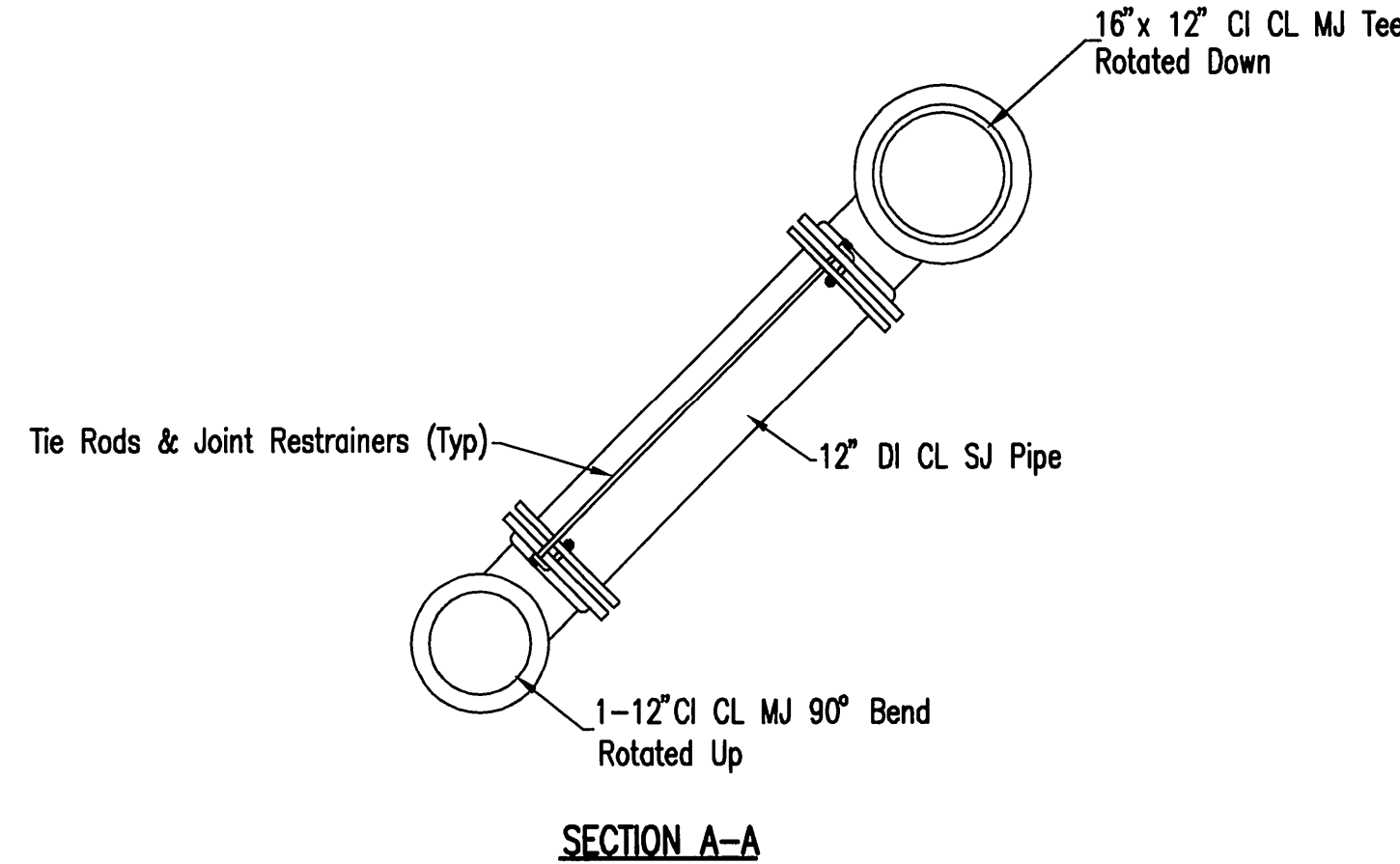
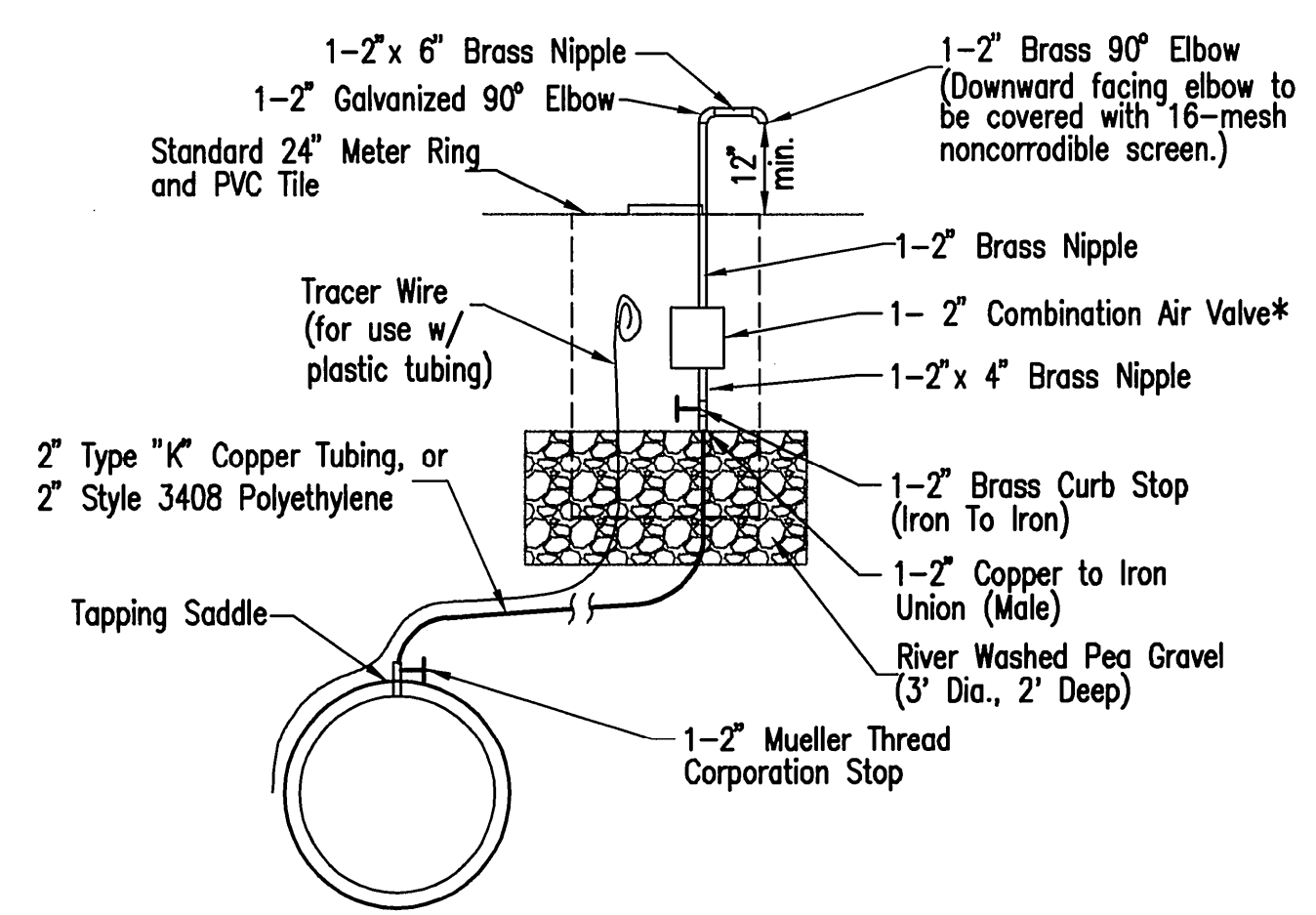


PLAN

12" CROSS CONNECTION DETAIL

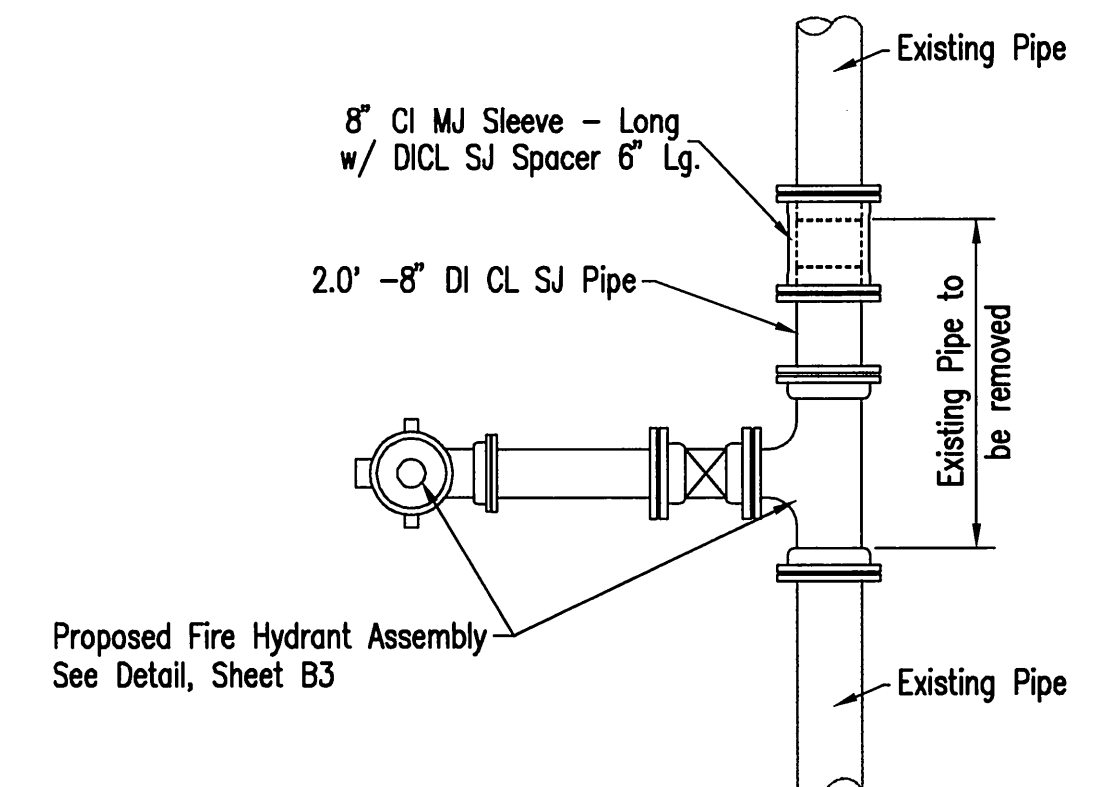


SECTION A-A



2" COMBINATION AIR VALVE DETAIL

\* Air Valves shall be 2" Air Release Valve, A.R.I. D-040 Combination Air Valve or approved equal.

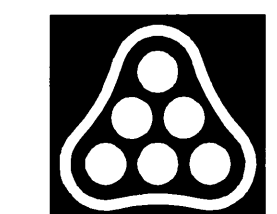
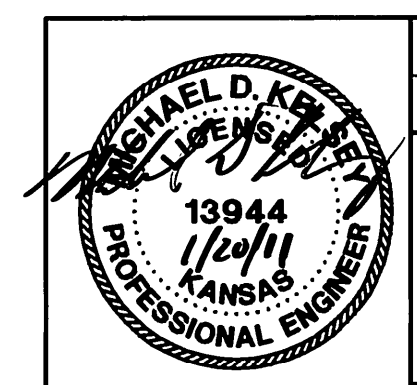


FIRE HYDRANT CUT-IN DETAIL (CARR ST.)

N: 1,675,959.0883, E: 1,607,635.0544  
 @ 119th St., Sta. 237+67.47, 58.00' Rt.  
 WL 1, Sta. 27+35.35, 92.32' Rt.

Saved 01-04-2011 9:15:36 AM by TDS  
 Plot Scale: 1/2" = 1'-0"  
 C:\2008\08208\001\08208-01-C4 Misc DTLS

by IED D. SCHEPPE



No.	Revision	By	Date
<b>119TH STREET WEST - GRANT TO CARR WATERLINE IMPROVEMENTS</b> <b>MISCELLANEOUS DETAILS</b> JAMES L. ARMOUR, P.E. - CITY ENGINEER CITY OF WICHITA PROJECT NO. 448-90507 <b>Professional Engineering Consultants, P.A.</b> 303 S. TOPEKA • WICHITA, KANSAS 67202 316-262-2691 • FAX 316-262-3003			
Designed by	MDK	Job No.	35-08208-001
Drawn by	TDS	Date	March 2010