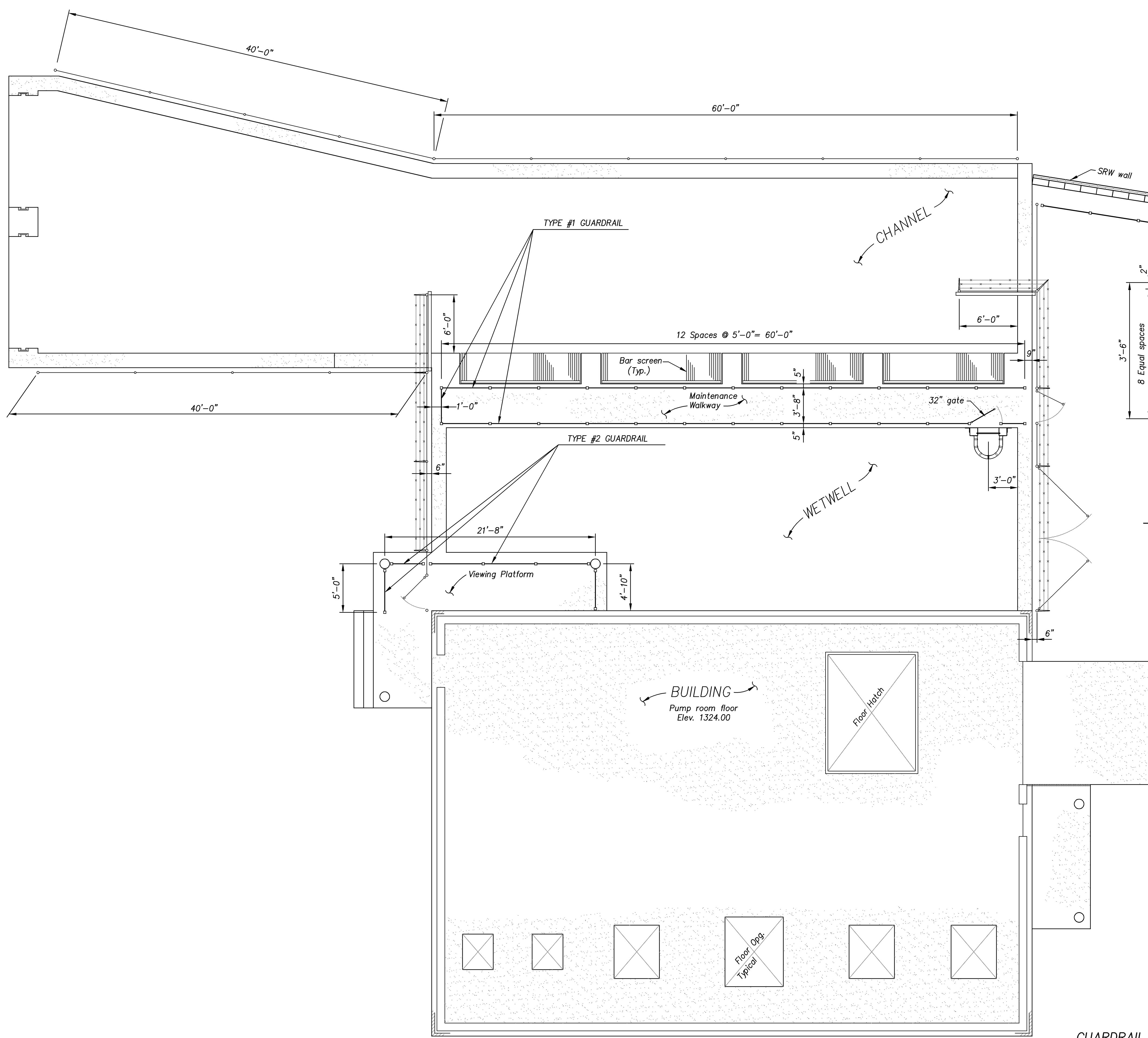
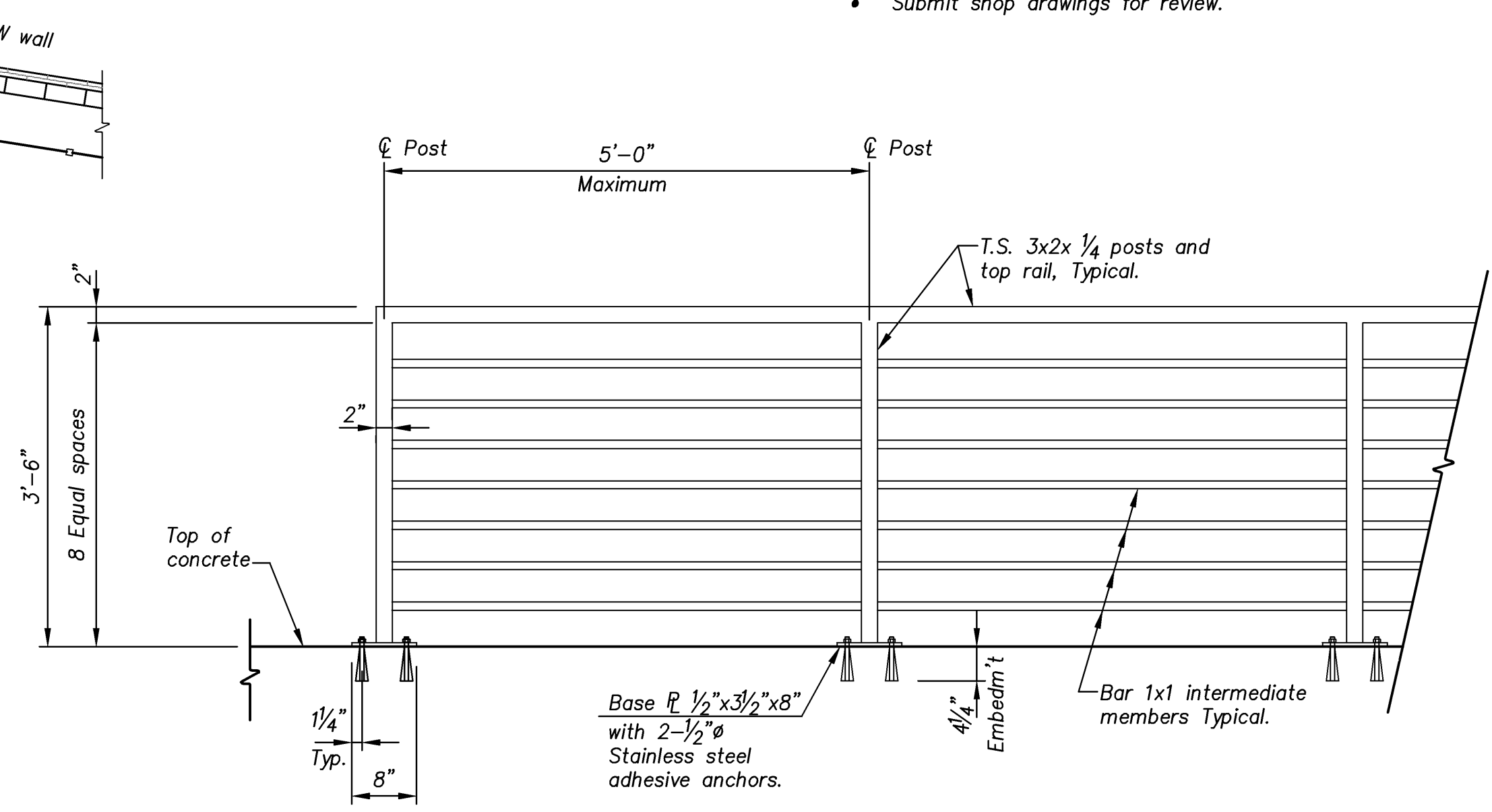


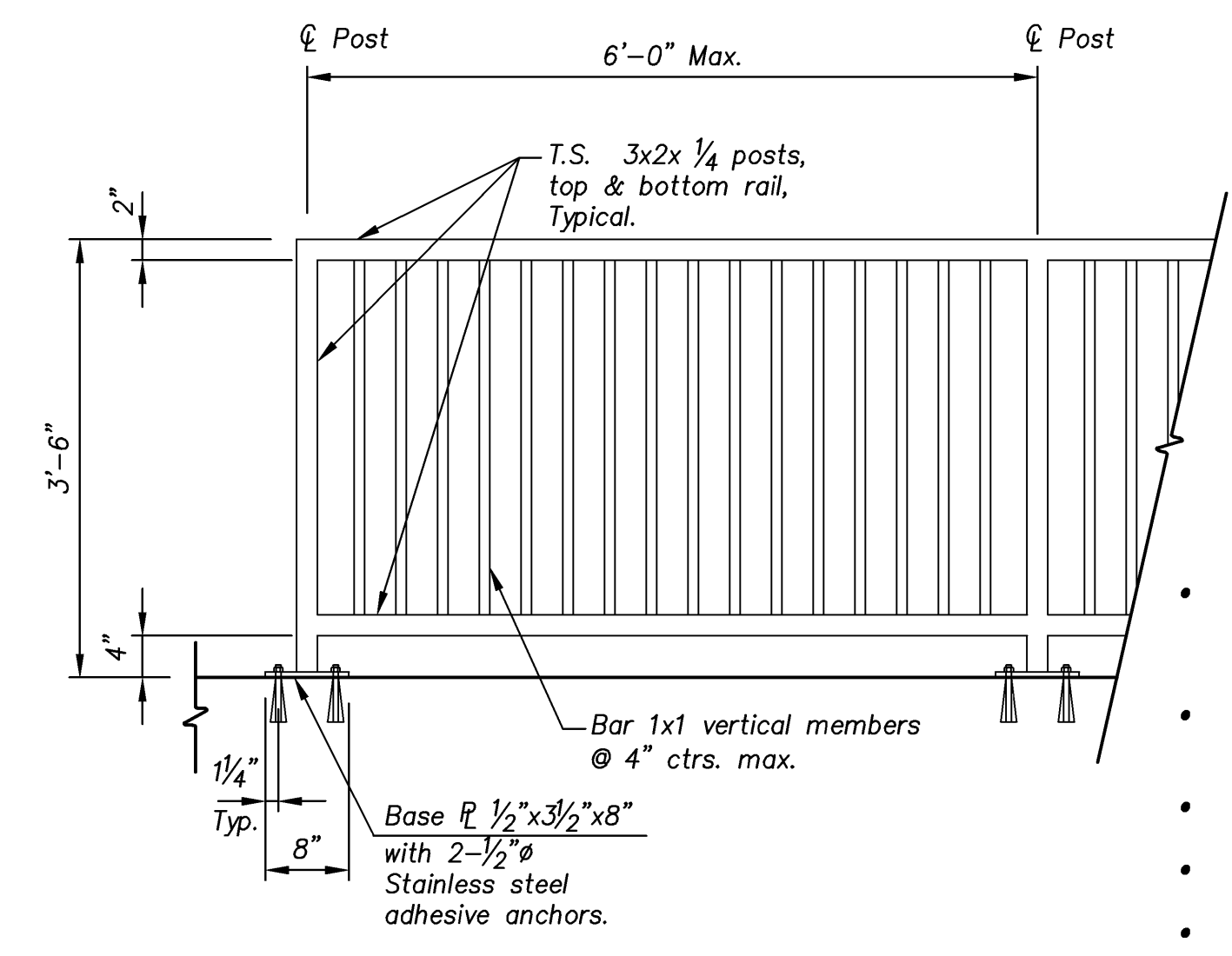
J:\2008Proj\06527\DWG\5\_RW Fence\_004.dwg 04 3/23/2011 - 8:58am npham



- NOTES (TYPE #1 GUARDRAIL)**
- All guardrail steel to be galvanized.
  - All anchor bolts shall be Stainless Steel adhesive anchors.
  - Length of guardrail on Maintenance Walkway between the Wetwell and Channel = 123'-8" (Includes 32" gate)
  - Length of guardrail on Outfall Structure = 71'-6"
  - Submit shop drawings for review.



**TYPE #1 GUARDRAIL DETAIL FOR MAINTENANCE WALKWAY AND OUTFALL STRUCTURE**  
Scale: 3/4" = 1'-0"



- NOTES (TYPE #2 GUARDRAIL)**
- All guardrail steel to receive one prime coat and two finish coats of UMBRA SW 4008 paint to match doors.
  - All anchor bolts shall be Stainless Steel adhesive anchors.
  - See this sheet for guardrail location.
  - Length of guardrail approximately 30'-0"
  - Submit shop drawings for review.

**TYPE #2 GUARDRAIL DETAIL FOR VIEWING PLATFORM**  
Scale: 3/4" = 1'-0"

**GUARDRAIL PLAN**  
Scale: 3/16" = 1'-0"

CITY OF WICHITA, KANSAS		<b>CFS</b> Cook, Flatt & Strobel ENGINEERS, P. A.
PUMP STATION NO. 11		
STRUCTURAL		DESIGNED KMB SCALE As Shown
<b>MAINTENANCE WALKWAY &amp; VIEWING PLATFORM GUARDRAIL PLAN</b>		DATE 3-24-2011
		CHECKED HAP SHEET 4 OF 7