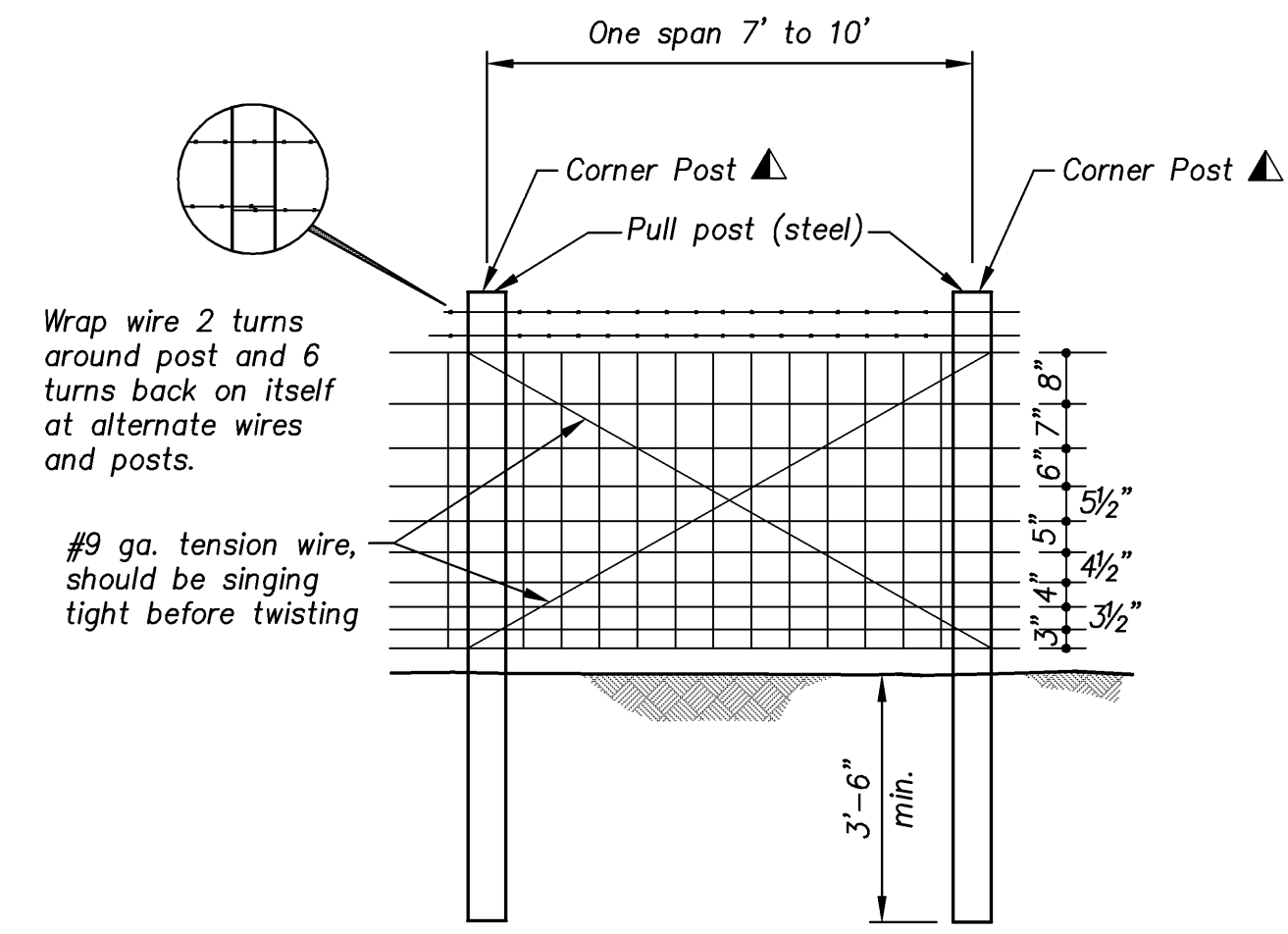
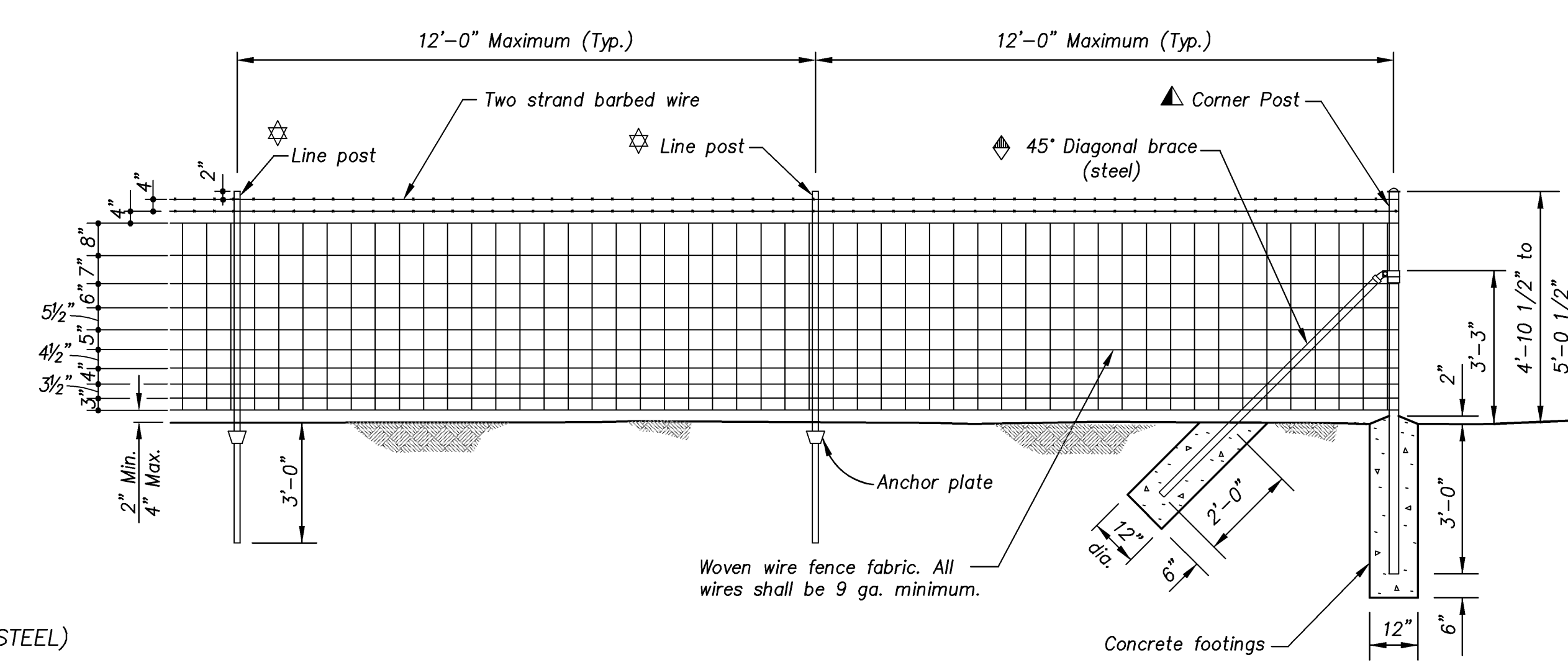


PLAN - NEW R/W FENCE

Replace 3 plastic stem covers on sluice gates w/ Hydrogate Galvanized Steel (Slotted) Stem Covers. Submit product information for review prior to purchase.



#9 ga. tension wire, should be singing tight before twisting



(STEEL)

- ☆ Steel line post 8'-0" length  
Studded T (1.33#/lin. ft.)  
U (1.33#/lin. ft.)  
H (2.27#/lin. ft.)  
1 3/4" Oval back I beam (2.43#/lin. ft.)
- ▲ End, corner, gate, or pull post 8'-0" length.  
(A120) 2.875" O.D., 0.203" Th. (5.97#/lin. ft.) pipe
- ◆ Brace  
1.660" O.D., 0.140" Th. (2.27#/lin. ft.) pipe or  
1 3/4" Oval Back I-Beam (2.45#/lin. ft.) or  
1 5/8"x1 3/4" Brace rail

GENERAL NOTES

1. In lieu of using the galvanized or copper coated rod as described, the contractor may, at his option, use a steel line post at intervals not to exceed each eighth post.
2. The galvanized or copper coated rod shall be used where power lines pass over the fence.
3. All steel posts, braces, fittings, and gate frames shall be galvanized and/or coated.
4. Steel posts shall be provided with fasteners to prevent slippage of the wire strands.
5. Outside diameters shown for tubular steel posts, bracing and gate frames are nominal.
6. Posts may be set by driving or digging. If by digging, the posts shall be set in the center of the hole and the soil tamped securely on all sides.
7. Pull post assembly shall be used at sharp breaks in vertical grade or at approximately 330' centers on straight runs or as directed by the Engineer.
8. Concrete used in fence installation shall conform to the requirements of the City Standard Specifications. Barbed wire and tension wire shall be either zinc coated (galvanized) or aluminum coated.
9. Minimum strength of tension wire shall be as provided in the Standard Specifications.
10. Woven wire and tension wire shall be either zinc coated (galvanized) or aluminum coated.
11. Use #9 gauge galvanized staples 1 1/2" to 1 3/4" long, or #9 gauge galvanized Ring-shank staples 1 1/2" to 1 3/4" long.
12. Alternate gate designs may be submitted for approval. Lighter weight materials will not be approved.
13. Padlocks for gates shall be furnished by the City.

CITY OF WICHITA R/W FENCE DETAILS

Scale: 3/8" = 1'-0"

CITY OF WICHITA, KANSAS PUMP STATION NO. 11		<b>CFS</b> Cook, Flatt & Strobel ENGINEERS, P. A.
STRUCTURAL		
NEW R/W FENCE DETAILS		DESIGNED KMB SCALE As Shown DETAILED HAP DATE 3-24-2011 CHECKED SHEET 6 OF 7

J:\2008Proj\08527\DWG\RW Fence\_006.dwg PP 3/23/2011 - 9:00am hpham