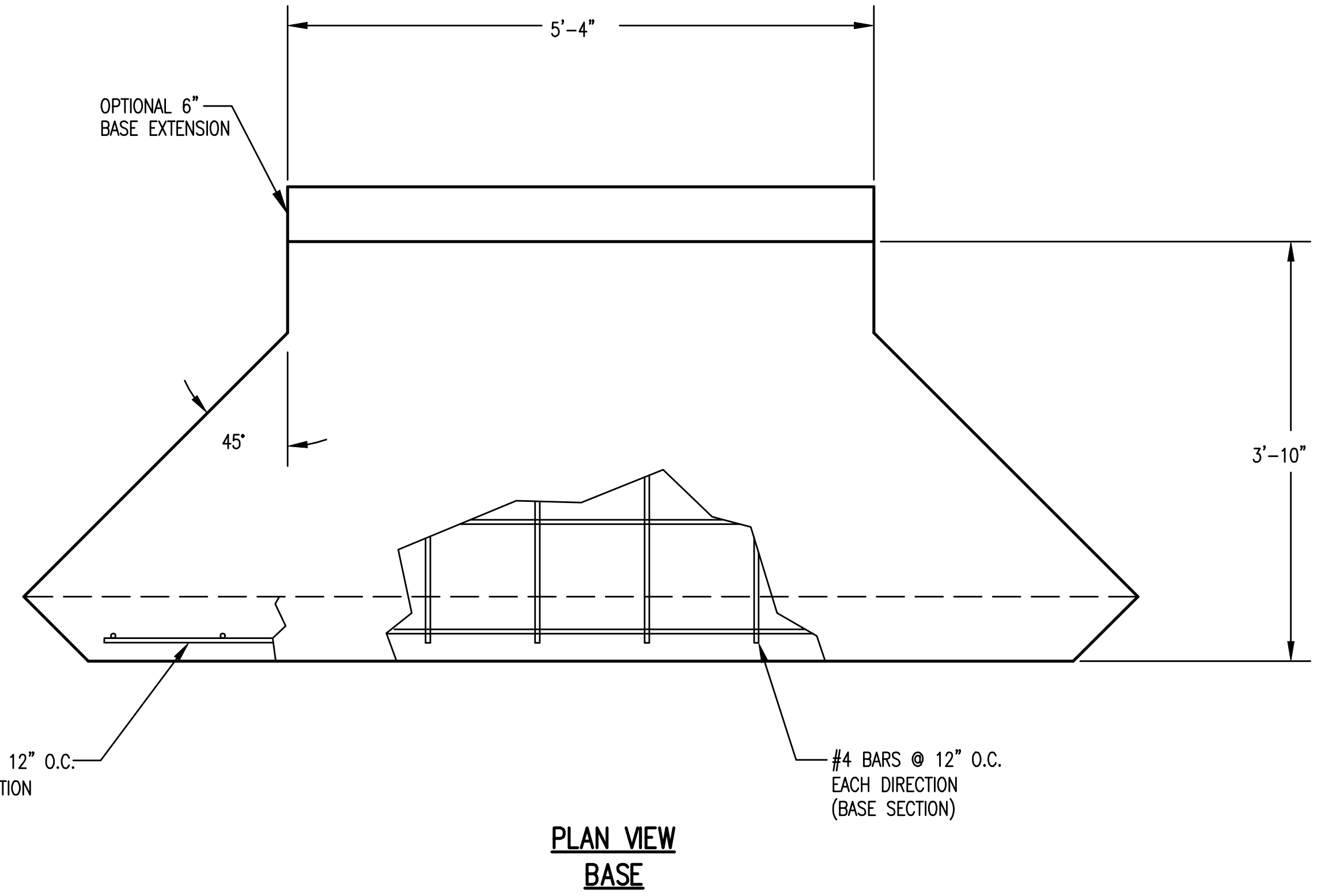
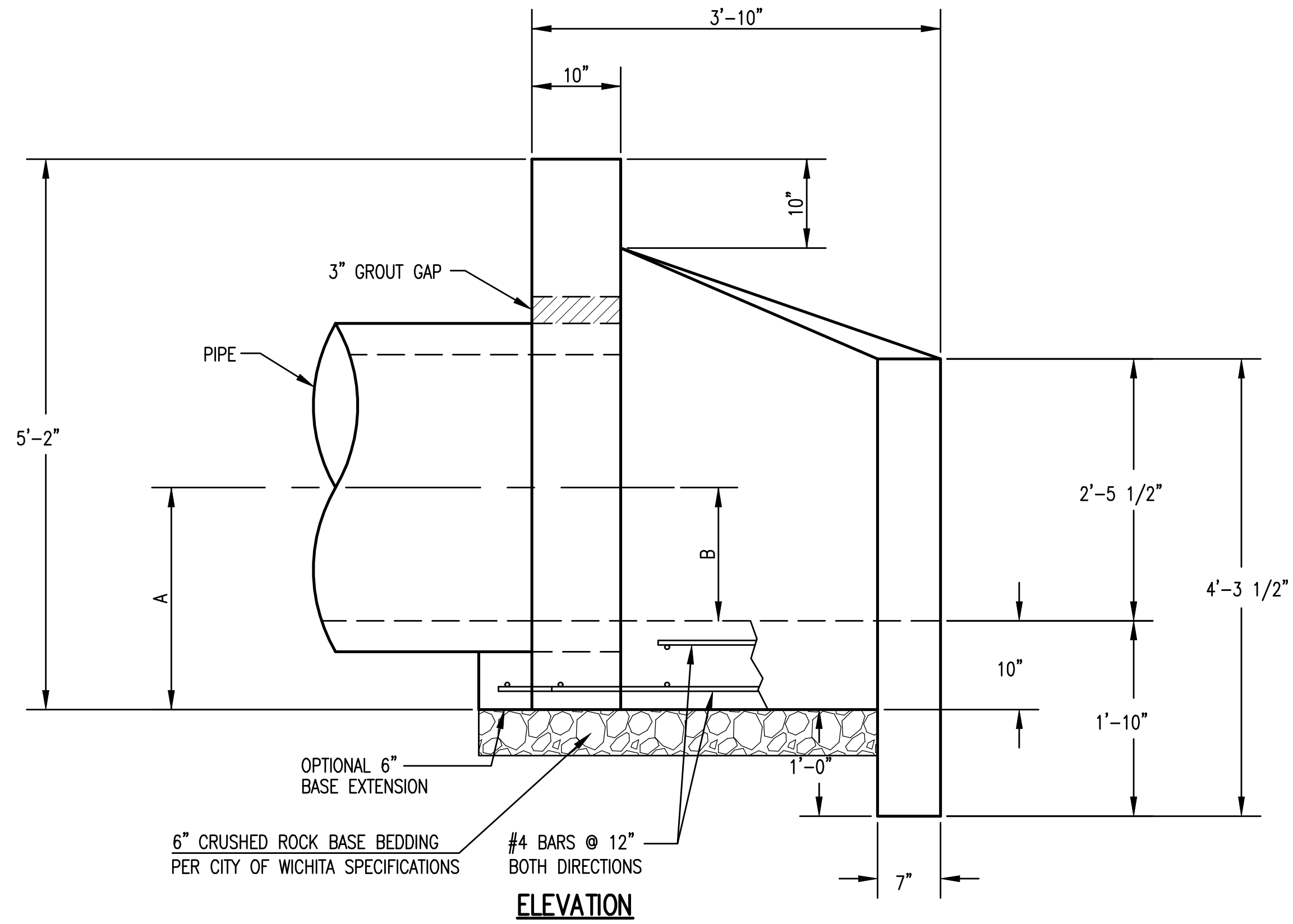


PLAN VIEW

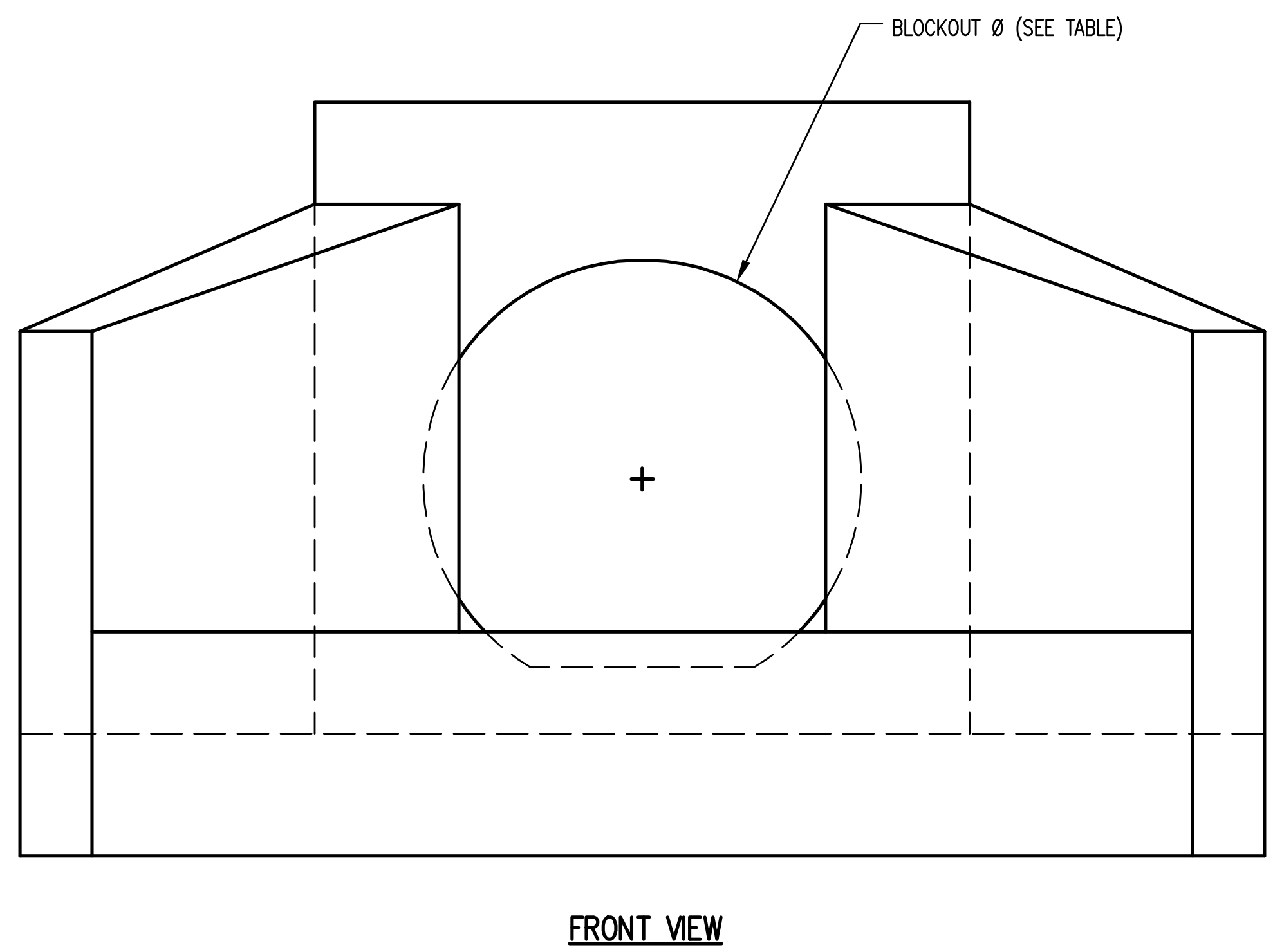


PLAN VIEW
BASE

PIPE Ø	A	B	BLOCKOUT Ø
30"	2'-1"	1'-3"	3'-7"
36"	2'-4"	1'-6"	4'-2"




ELEVATION



FRONT VIEW

HEADWALLS, AS SHOWN, WILL NOT SUPPORT FLAP GATE.



CITY OF WICHITA
PUBLIC WORKS & UTILITIES
ENGINEERING DIVISION

**HEADWALL
DETAILS FOR
30" AND 36" PIPE**

CITY ENGINEER
JAMES L. ARMOUR, P.E., L.S.

PROJECT NUMBER	OCA NUMBER	DATE
468-84689	751497	5/03/11

CITY ENGINEER'S OFFICE	DESIGN	DRAWN
CITY HALL - SEVENTH FLOOR 455 NORTH MAIN STREET WICHITA, KANSAS 67202-1620 (316) 268-4501	Staff	Staff
SHEET		17 of 28