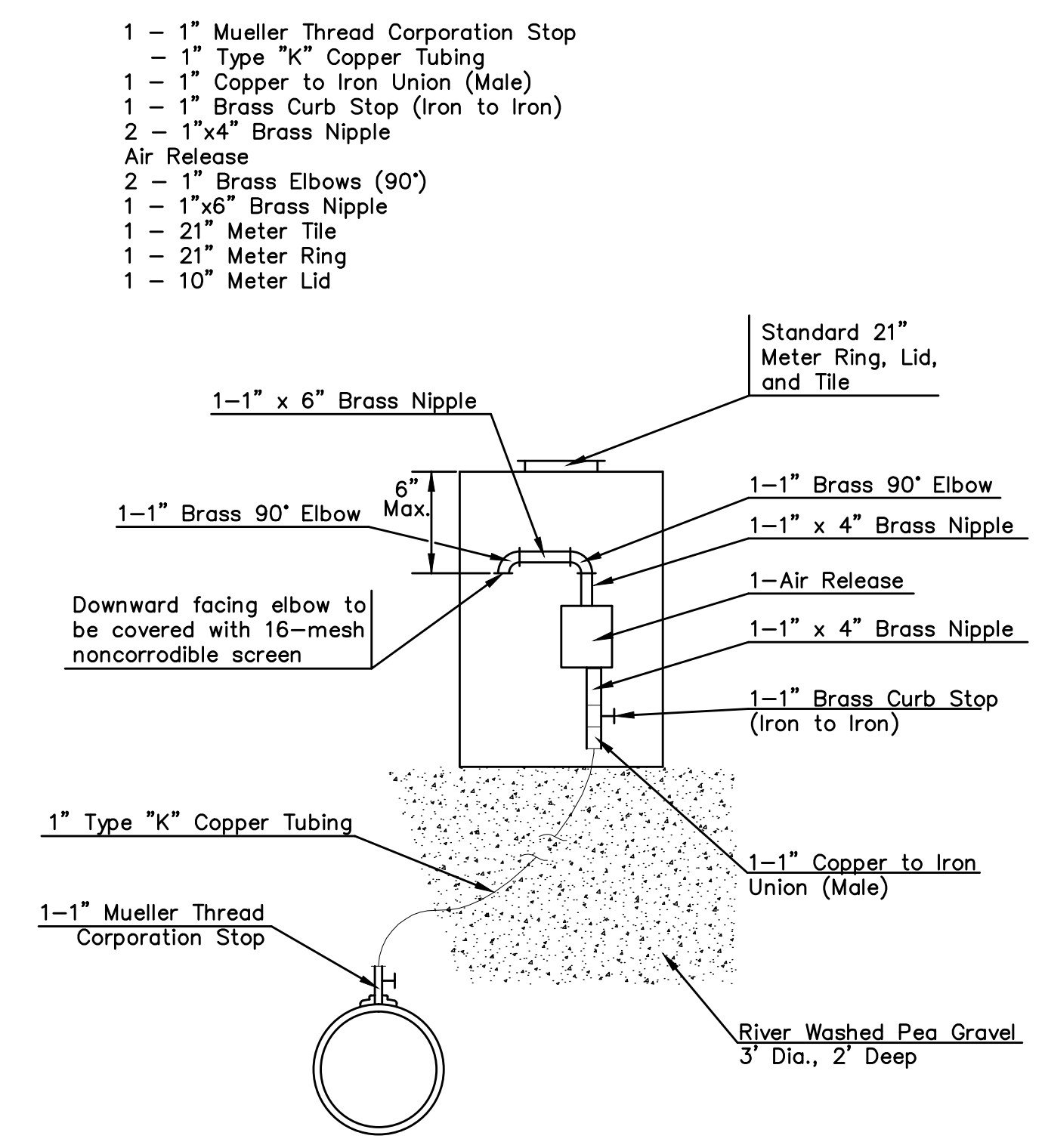
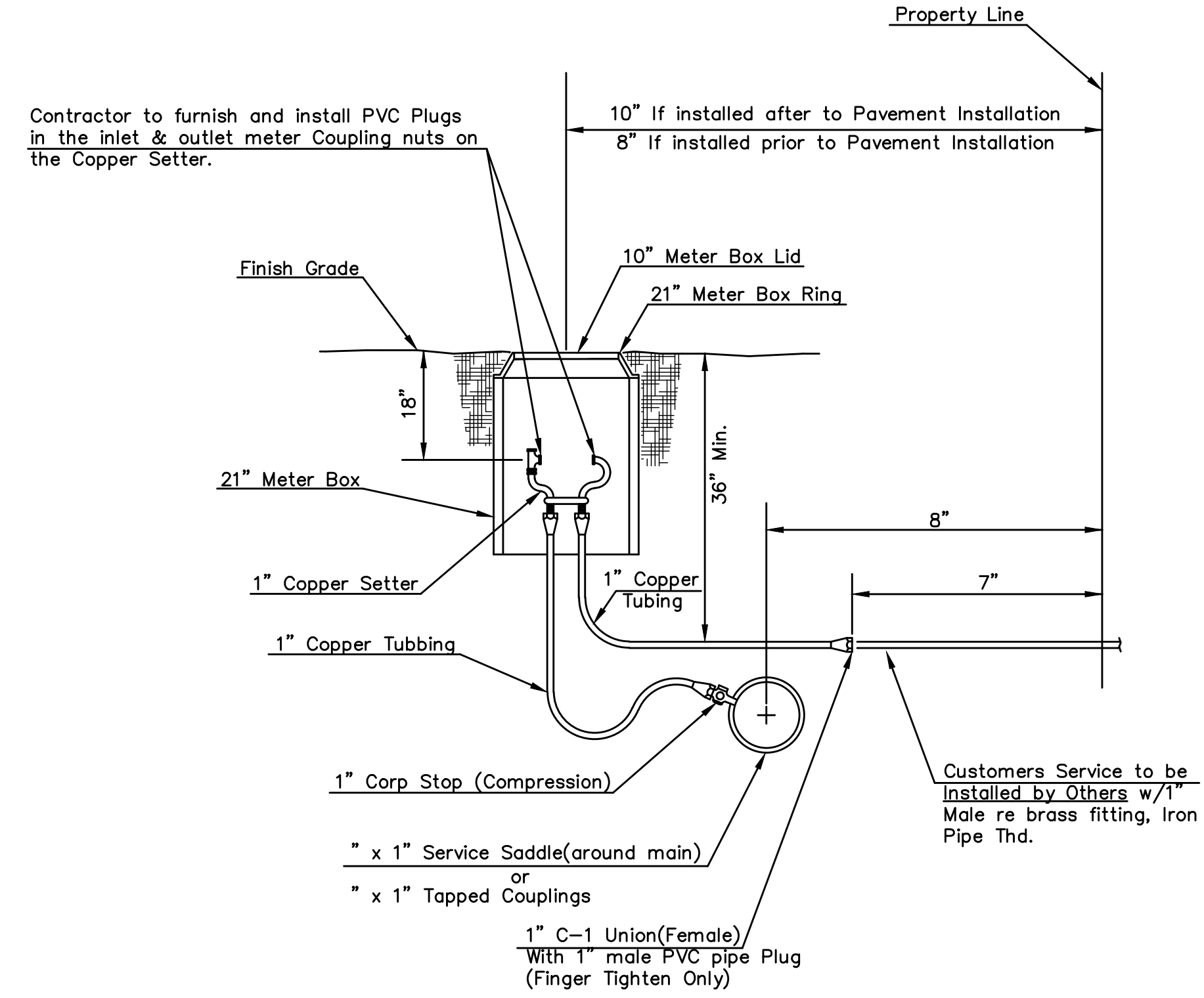


Note: Service Saddles are not required on top of 8" mains or larger
 Meter boxes will be located on each lot to be served, as indicated in the SPECIAL PROVISIONS

**TYPICAL METER SETTING
 LONG SERVICE 1"**

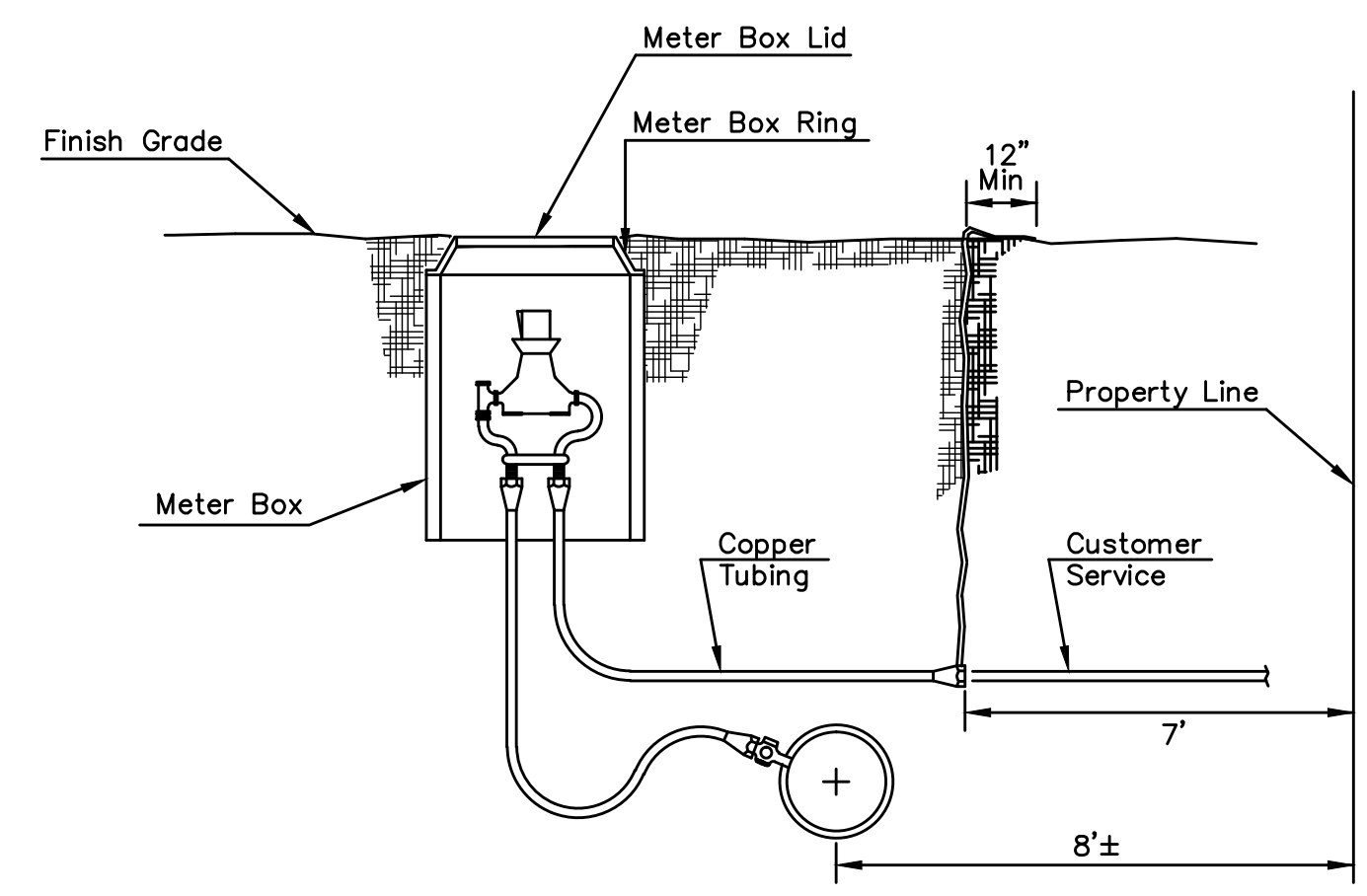


MATERIALS FOR AIR RELEASE ASSEMBLY



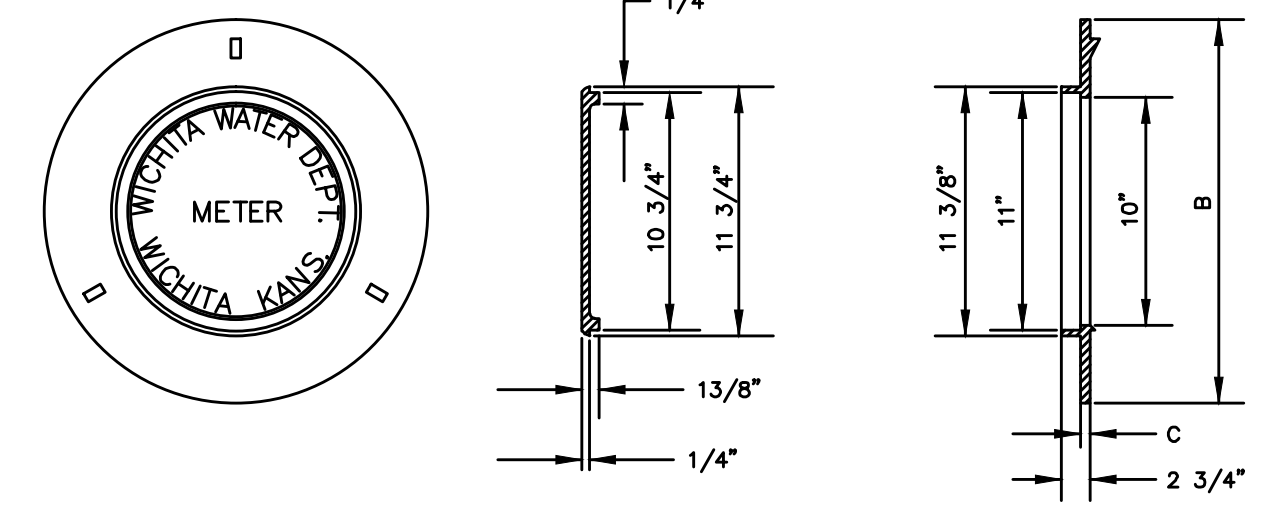
Note: Service Saddles are not required on top of 8" mains or larger
 Meter boxes will be located on each lot to be served, as indicated in the SPECIAL PROVISIONS

**TYPICAL METER SETTING
 SHORT SERVICE 1"**



If customers service line is not installed at the time Meter Box and Setter are installed, Plastic Flagging is to be tied to the end of copper tubing & brought straight up to top of ground and be exposed a minimum of 12" on top of ground. (Plastic Flagging to be Furnished by Contractor)

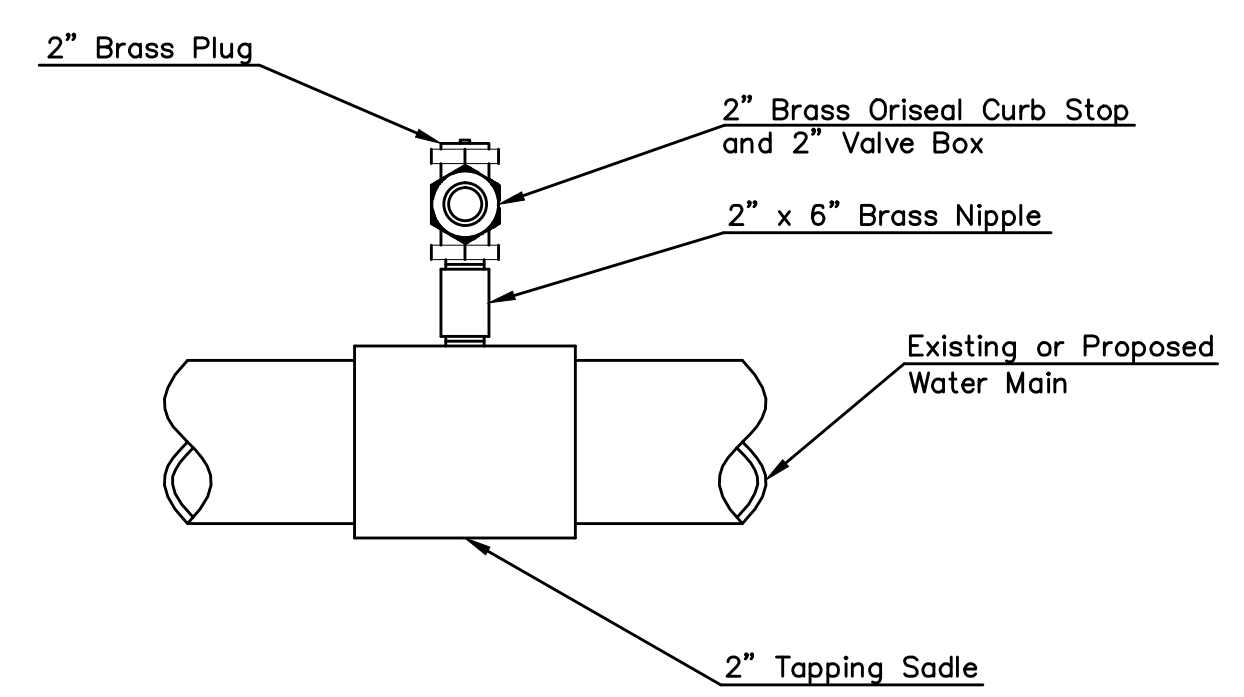
**TYPICAL METER SETTING
 PLASTIC FLAGGING**



TITLE SIZE	Dimensions		
	A	B	C
21"	20 1/2"	25"	7/16"

Other Approved Ring And Lids: Ford Meter Box Co. Inc. 21" Ring & Lid Catalog No. C-4

RING & LID FOR METER VAULTS



Note: Where the 2" service outlet assembly is to be used to connect a 2" main to another main, the 2" valve shall be a 2" IPT Gate Valve. 2" Ball or Globe valve shall not be approved for this use.

2" SERVICE OUTLET ASSEMBLY



STANDARD WATER SERVICE DETAILS

CITY ENGINEER
 JAMES L. ARMOUR, P.E., L.S.

PROJECT NUMBER: OCA NUMBER: DATE:

CITY ENGINEER'S OFFICE
 CITY HALL - SEVENTH FLOOR
 455 NORTH MAIN STREET
 WICHITA, KANSAS 67202-1620
 (316) 268-4501
 (316) 268-4114 FAX

DESIGN DRAWN SHEET

Approved: _____
 Date: _____
 No. _____

CENTRAL AVENUE
 ROCK ROAD TO WEBB ROAD
 WATER SERVICE DETAILS
 CITY OF WICHITA, KANSAS
 JAMES L. ARMOUR, P.E. - CITY ENGINEER

POE & ASSOCIATES, INC.
 CONSULTING ENGINEERS
 5940 E. Central, Suite 200 • Wichita, KS 67208-0242
 Phone 316/685-4114 • FAX 316/685-4444

POE

WICHITA
 ENGINEERING

Engineer: P. FERGUSON
 Designer: P. FERGUSON/M. TUCKER
 Date: MARCH 2011
 Fee Job No.: 1972
 Sheet WL3 of WL8