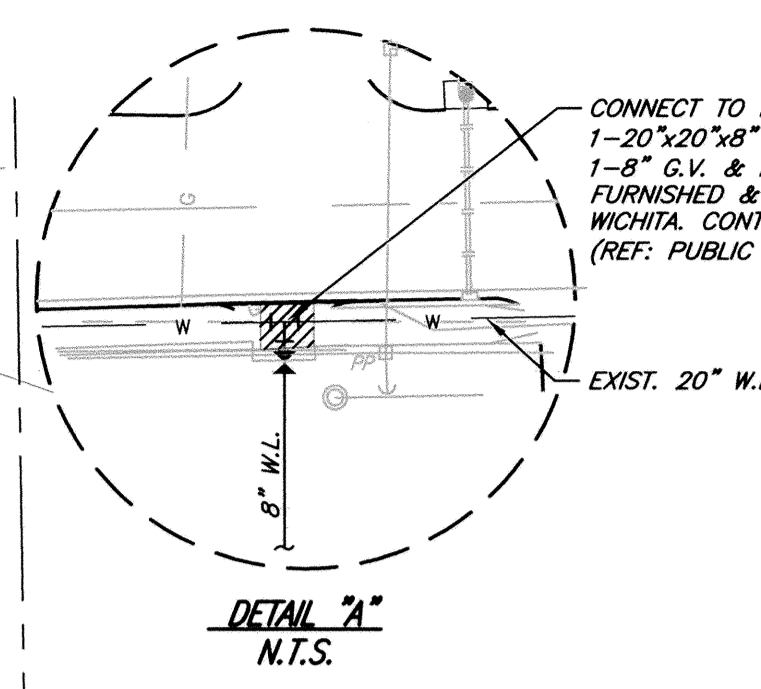
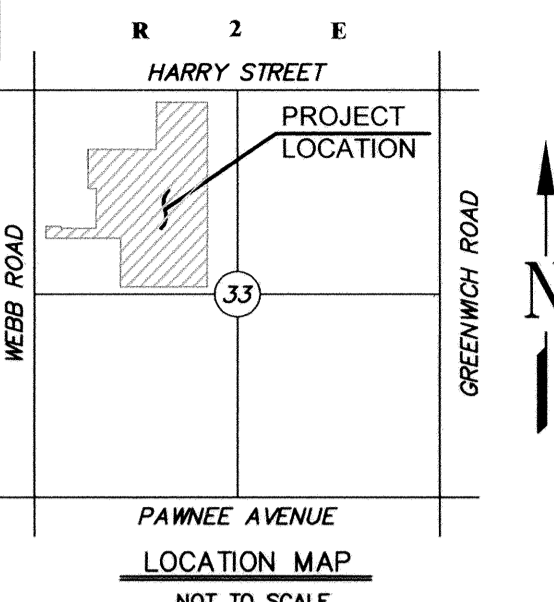


(IN FEET)
1 inch = 50 ft.

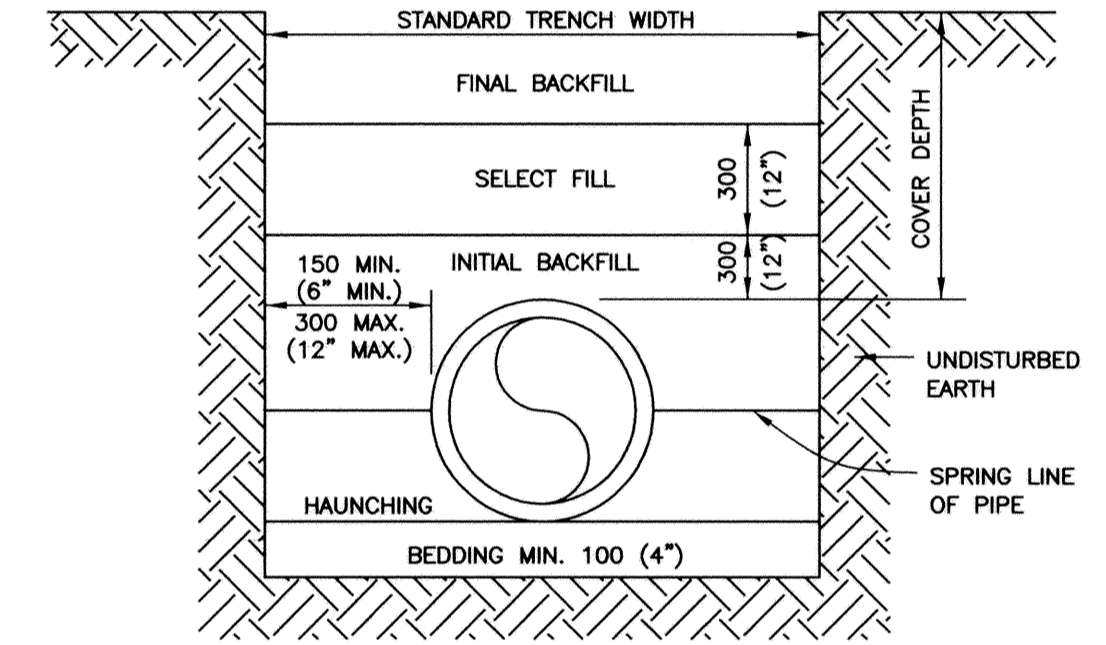


BEDDING MATERIALS

BACKFILL DESCRIPTION	NON-PAVED AREAS			PAVED AREAS (See Note 7)		
	P V C	DUCTILE IRON	H D P E	P V C	DUCTILE IRON	H D P E
FINAL BACKFILL	EXCAVATED MATERIAL	EXCAVATED MATERIAL	EXCAVATED MATERIAL	SBM	SBM	SBM
SELECT BACKFILL	SELECT FILL	SELECT FILL	SELECT FILL	SBM	SBM	SBM
INITIAL BACKFILL	COVER ≤ 10" SAND OR SBM > 10" SBM	SELECT FILL	COVER ≤ 10" SAND OR SBM > 10" SBM	SBM	SBM	SBM
HAUNCHING	COVER ≤ 10" SAND OR SBM > 10" SBM	SELECT FILL	COVER ≤ 10" SAND OR SBM > 10" SBM	SBM	SBM	SBM
BEDDING	See Note 3	See Note 3	See Note 3	See Note 3	See Note 3	See Note 3

PIPE INSIDE DIAMETER

MM	IN.	STANDARD TRENCH WIDTH MM	STANDARD TRENCH WIDTH IN.
150	6	450	18
200	8	600	24
250	10	750	30
300	12	900	36
375	15	900	36
450	18	900	36
525	21	1,050	42
600	24	1,050	42
675	27	1,200	48
750	30	1,200	48
900	36	1,350	54
1,050	42	1,500	60
1,200	48	1,650	66



- LEGEND**
- SIGN (STOP, YIELD, etc...)
 - ASILE INDICATOR SIGN
 - LIGHT POLE AND FIXTURE TYPE
 - TRAFFIC FLOW ARROW
 - STRAIGHT ARROW
 - LEFT TURN ARROW
 - RIGHT TURN ARROW
 - CART CORNERS
 - TC TOP OF CURB
 - TP TOP OF PAVEMENT
 - TW TOP OF WALK
 - TG TOP OF GUTTER
 - SW SIDEWALK
 - R RADIUS
 - U/E UTILITY EASEMENT
 - W/E WALL EASEMENT
 - U.C.S. UNDERGROUND COLLECTION SYSTEM
 - SPOT ELEVATION
 - XX PROPOSED CONTOUR & CONTOUR ELEVATION
 - STORM SEWER INLET
 - STORM SEWER CURB INLET
 - STORM SEWER MANHOLE (STS M.H.)
 - S.S. MANHOLE
 - S.S. CLEANOUTS
 - FUTURE CURB & GUTTER (BY OTHERS)
 - USE— POWER UNDERGROUND BY CONTRACTOR
 - UT TELEPHONE UNDERGROUND (PER CITY STDS)
 - POWER OVERHEAD
 - GAS LINE
 - SW FLOW DIRECTION
 - SWS STORM SEWER
 - L.S. LANDSCAPE
 - S.S. SANITARY SEWER
 - W WATER LINE
 - DOM DOMESTIC WATER LINE

PRIVATE WATERLINE LOCATION PLAN

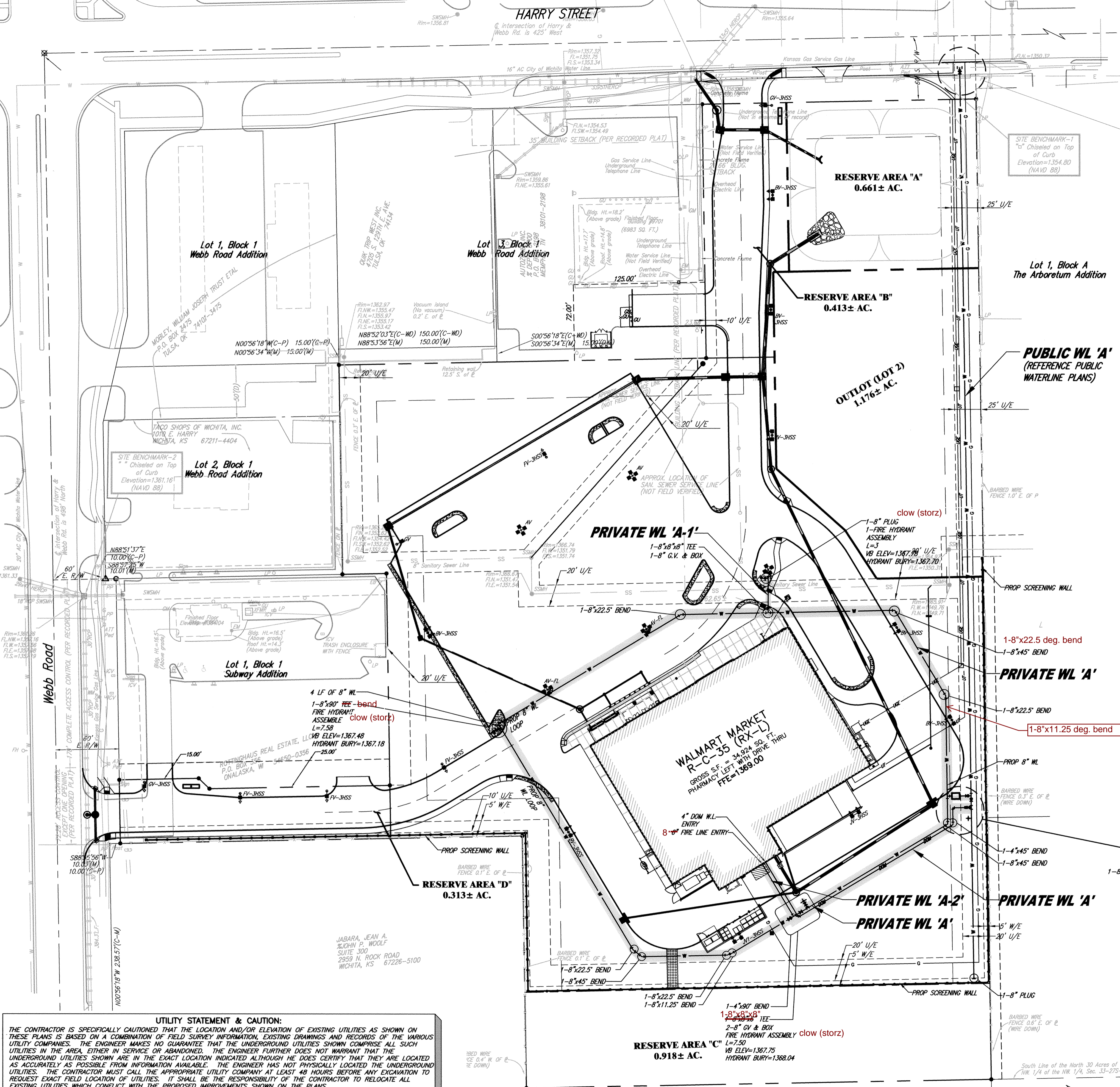
MARKET STORE #5860-00

HARRY STREET & WEBB ROAD WICHITA, KANSAS

SMC Consulting Engineers, P.C.
815 West Main - Oklahoma City, OK 73108
PH: 405-232-7715 Fax: 405-232-7859
KANSAS CERTIFICATE OF AUTHORIZATION NO. E-335 EXP. DEC. 31, 2011

No.	Revision	By	Date
1	Revised per city's comments	KST	11/01/10
2	MM OIB	KST	01/31/11
3	Revised per city's comments	TAB	03/07/11
4	Revised per city's comments	TAB	03/14/11

DATE: 10/04/10 SCALE: 1"=50'
DRAWN BY: KST PROJECT NO.: 4946.00 SHEET NO. C-11.1
ENGINEER: TERENCE L. HAYNES, P.E. #14583



UTILITY STATEMENT & CAUTION:
THE CONTRACTOR IS SPECIFICALLY CAUTIONED THAT THE LOCATION AND/OR ELEVATION OF EXISTING UTILITIES AS SHOWN ON THESE PLANS IS BASED ON A COMBINATION OF FIELD SURVEY INFORMATION, EXISTING DRAWINGS AND RECORDS OF THE VARIOUS UTILITY COMPANIES. THE ENGINEER MAKES NO GUARANTEE THAT THE UNDERGROUND UTILITIES SHOWN COMPRISE ALL SUCH UTILITIES IN THE AREA, EITHER IN SERVICE OR ABANDONED. THE ENGINEER FURTHER DOES NOT WARRANT THAT THE UNDERGROUND UTILITIES SHOWN ARE IN THE EXACT LOCATION INDICATED ALTHOUGH HE DOES CERTIFY THAT THEY ARE LOCATED AS ACCURATELY AS POSSIBLE FROM INFORMATION AVAILABLE. THE ENGINEER HAS NOT PHYSICALLY LOCATED THE UNDERGROUND UTILITIES. THE CONTRACTOR MUST CALL THE APPROPRIATE UTILITY COMPANY AT LEAST 48 HOURS BEFORE ANY EXCAVATION TO REQUEST EXACT FIELD LOCATION OF UTILITIES. IT SHALL BE THE RESPONSIBILITY OF THE CONTRACTOR TO RELOCATE ALL EXISTING UTILITIES WHICH CONFLICT WITH THE PROPOSED IMPROVEMENTS SHOWN ON THE PLANS.

G:\14946\WATERLINE PLANS\4946\DWG Mar 14, 2011 - 5:06pm Aloc