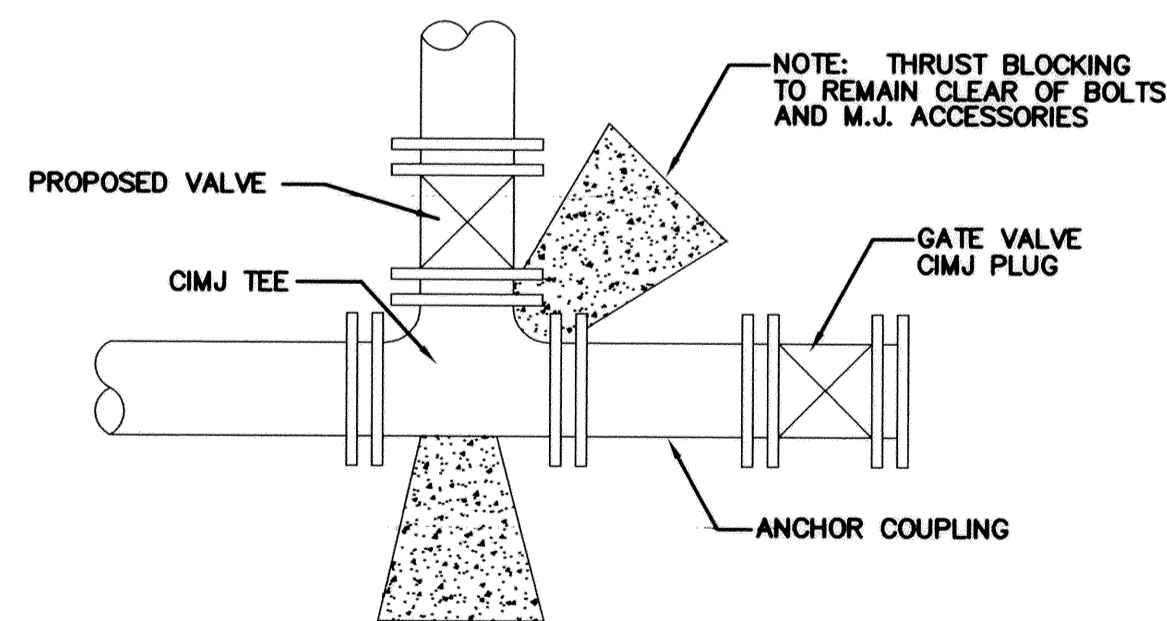
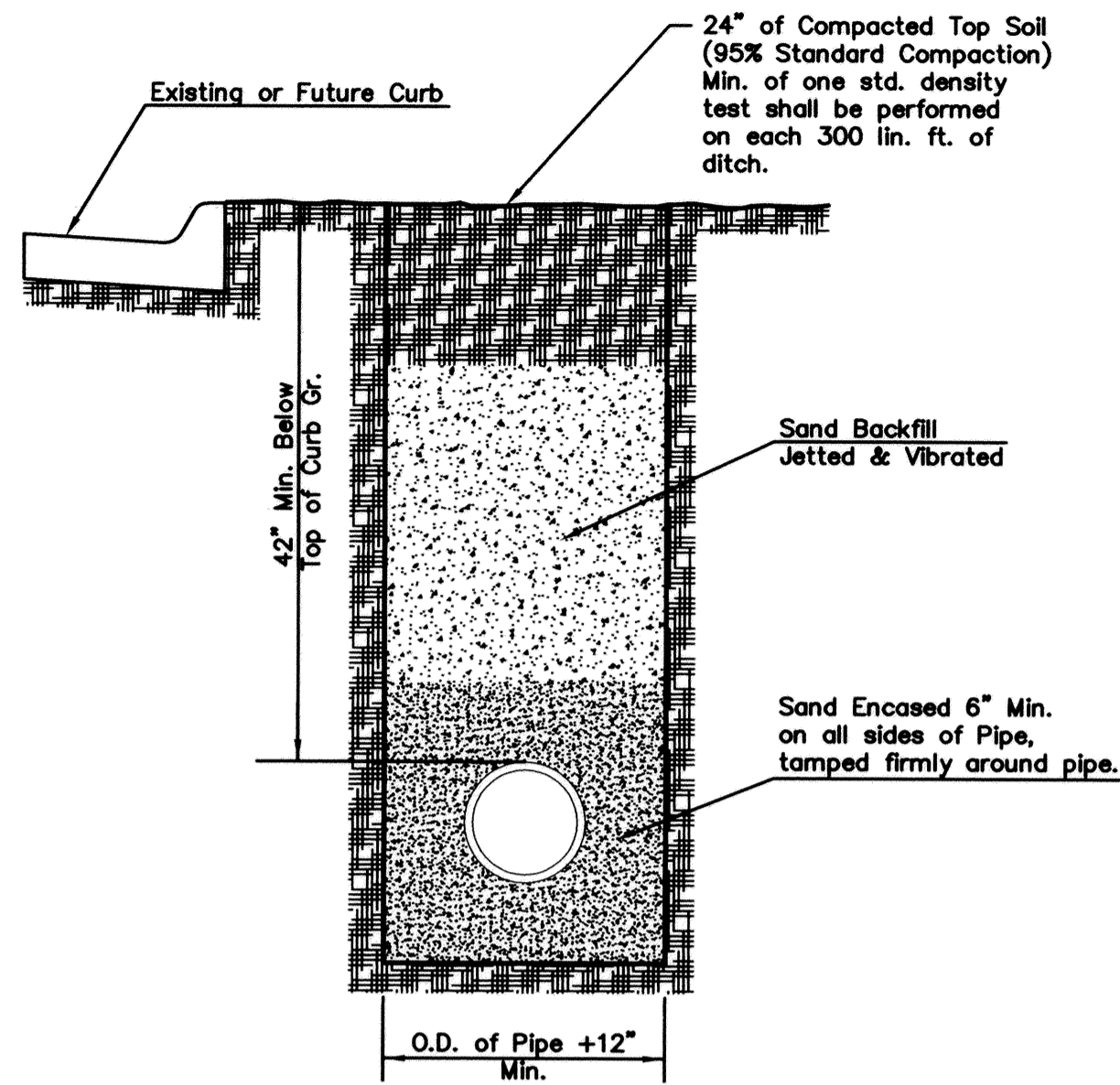


PIPE SIZE	THRUST AT FITTINGS IN TONS—AT 150#/IN ² P					
	PLUG	90°	45°	22 1/2°	11 1/4°	TEE
6"	2.8	3.95	2.15	1.09	.55	2.8
8"	4.9	6.95	3.75	1.90	.96	4.9
12"	11.4	16.1	8.75	4.45	2.25	11.4
16"	20.15	28.5	15.4	7.85	3.95	20.15
20"	31.15	44.0	23.85	12.15	6.10	31.15
24"	44.55	63.0	34.1	17.4	8.75	44.55

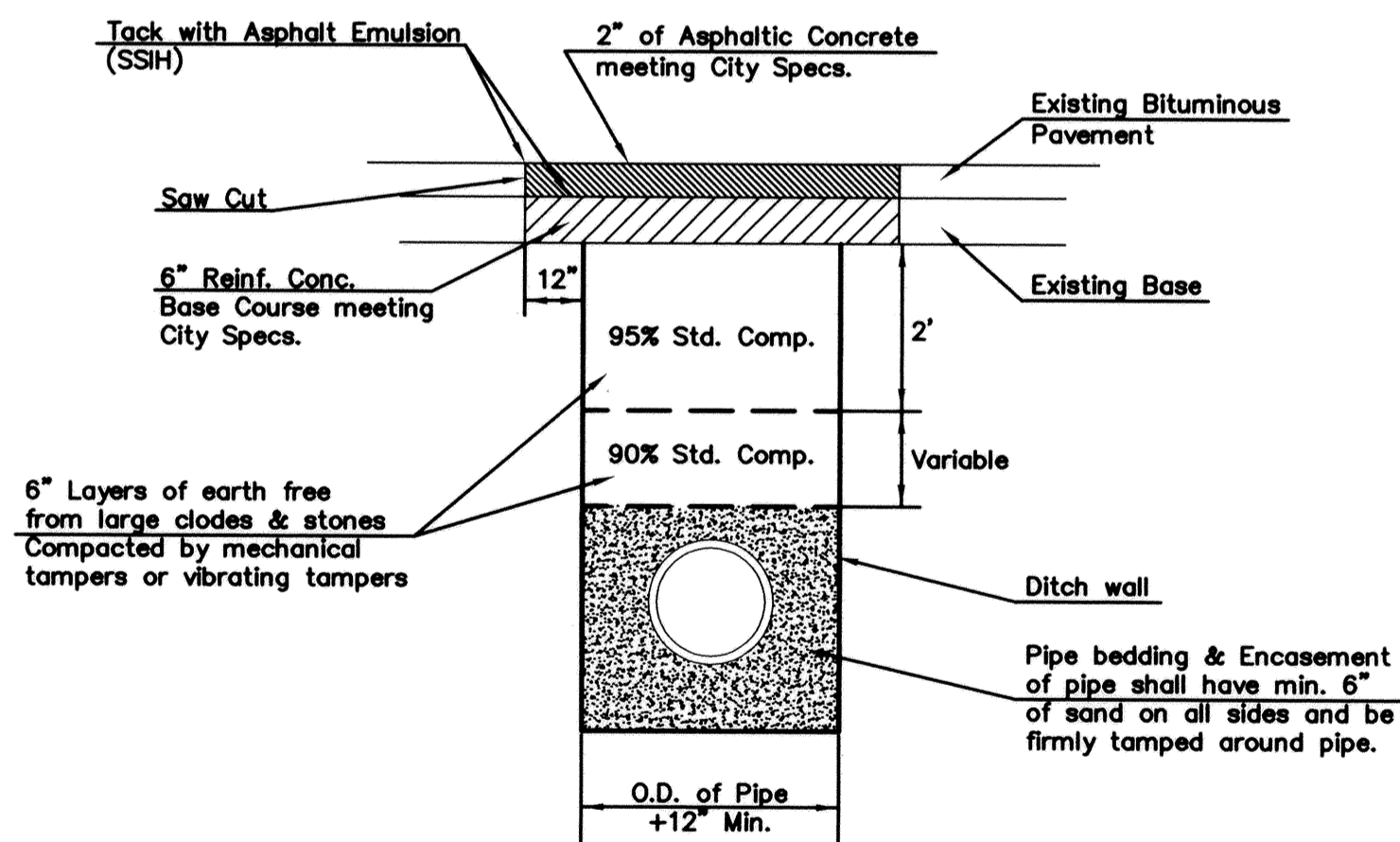
TYPICAL THRUST BLOCKS



KEY BLOCK DETAIL



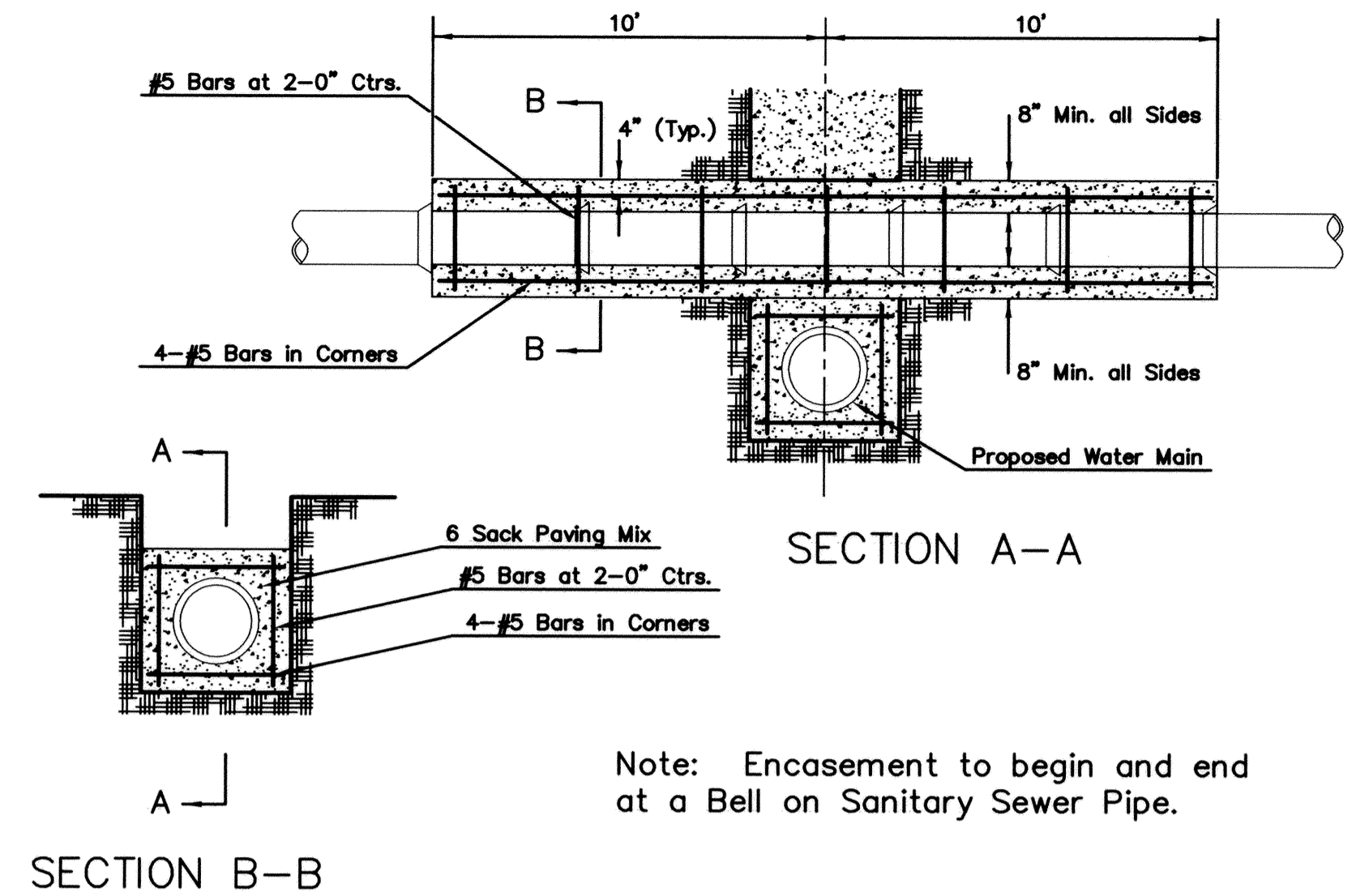
SETTLEMENT & COMPACTION ON CITY AND COUNTY ROAD RIGHT-OF-WAY EXCEPT UNDER PAVEMENT



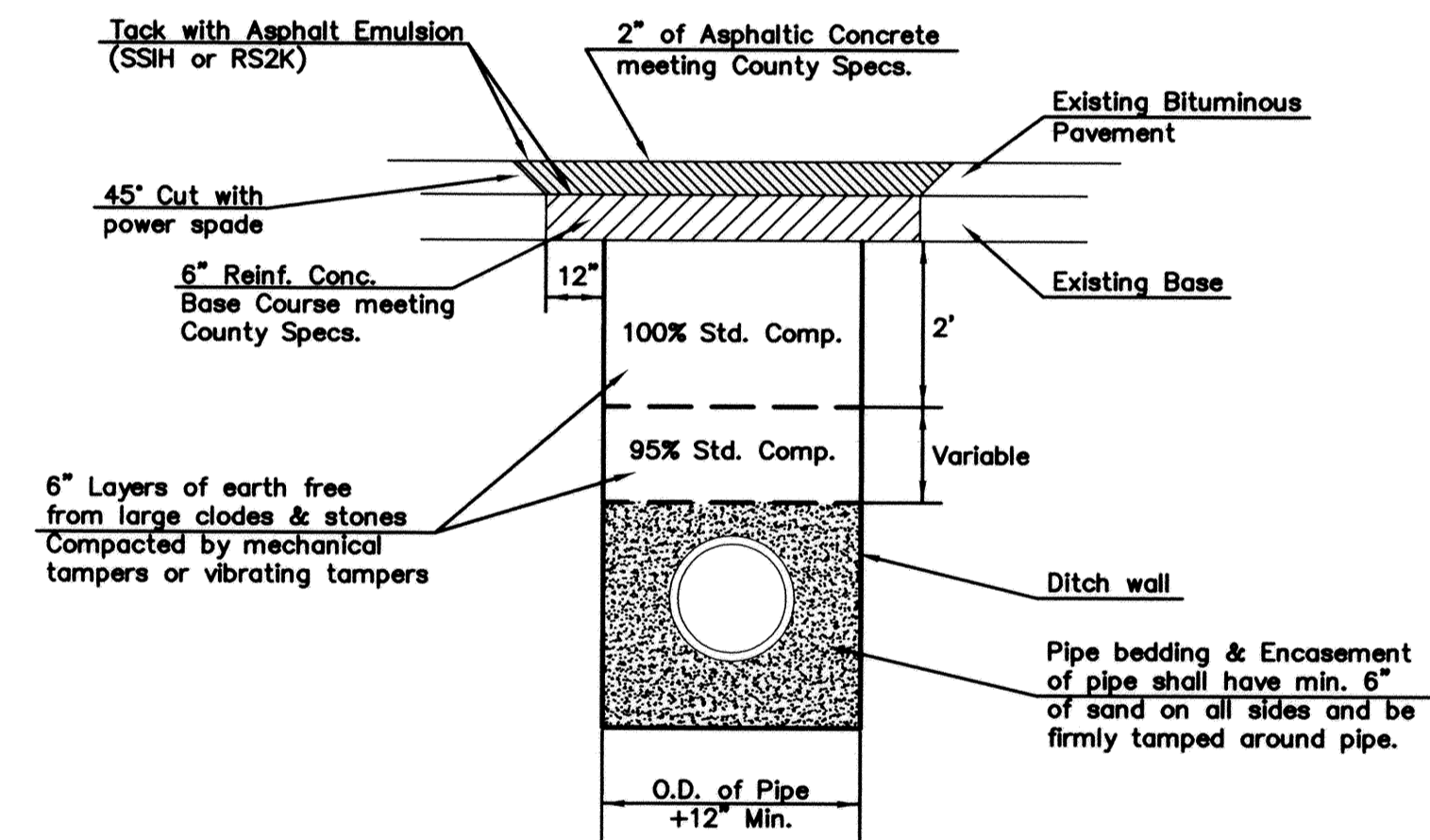
Standard Density Test, as described in the latest addition of ASTM D698, shall be performed to verify the above requirements to the Satisfaction of the Sedgwick County Director of Public Works. All testing cost shall be included in the unit price bid for the pipe in place.

When laying under paving, parallel with the centerline of the street, a minimum of one (1) Standard Density Test shall be performed on each 300 lineal feet of ditch.

PAVEMENT REPLACEMENT & DITCH COMPACTION UNDER EXISTING AND PROPOSED CITY ROADS



REINFORCED CONCRETE ENCASEMENT OF SANITARY SEWER



Standard Density Test, as described in the latest addition of ASTM D698, shall be performed to verify the above requirements to the Satisfaction of the Sedgwick County Director of Public Works. All testing cost shall be included in the unit price bid for the pipe in place.

When laying under paving, parallel with the centerline of the street, a minimum of one (1) Standard Density Test shall be performed on each 300 lineal feet of ditch.

PAVEMENT REPLACEMENT & DITCH COMPACTION UNDER EXISTING AND PROPOSED COUNTY ROADS

	VARIOUS WATER DETAILS <small>CITY ENGINEER</small> JAMES L. ARMOUR, P.E., L.S. <small>ACTING</small>		
	PROJECT NUMBER	OCA NUMBER	DATE
	XXX-XXXXX	XXXXXX	MM/YY
	<small>CITY ENGINEER'S OFFICE CITY HALL - SEVENTH FLOOR 455 NORTH MAIN STREET WICHITA, KANSAS 67202-1620 (316) 268-4501 (316) 268-4114 FAX</small>		<small>DESIGN</small> ABC <small>DRAWN</small> DEF <small>SHEET</small> C-12.6

REVISED APR 97