

AS BUILT PLANS

Contractor: Mies
 Inspector: Don Eddingfield, Baughman Co
 pdf's by: KEK, 2/27/11

GENERAL NOTES

- ALL WATER MAINS AND APPURTENANCES SHALL BE INSTALLED IN ACCORDANCE WITH CITY OF WICHITA, KANSAS STANDARD SPECIFICATIONS FOR WATER MAIN INSTALLATIONS.
- CONTRACTOR WILL BE REQUIRED TO PROVIDE A MINIMUM ADVANCE NOTICE OF SEVENTY-TWO (72) HOURS TO UTILITY COMPANIES PRIOR TO STARTING ANY EXCAVATION AS FOLLOWS:
 KANSAS ONE-CALL 1-800-344-7233
 OR LOCAL (WICHITA) 687-2470
 THE CONTRACTOR MUST NOTIFY THE FOLLOWING IN CASE OF EMERGENCY:
 COX COMMUNICATIONS (CABLE) 262-0661
 WESTAR (ELECTRIC) 261-6512
 KANSAS GAS SERVICE (GAS) 832-3101
 SBC (TELEPHONE) 800-870-8390
 CITY OF WICHITA WATER & SEWER 262-6000
 AQUILA (GAS) 946-0096
- THE WATER MAIN SHALL BE CONSTRUCTED ON THE ALIGNMENT SHOWN ON THE PLANS. TREES AND SHRUBS IN PUBLIC RIGHT OF WAY WHICH ARE IN DIRECT CONFLICT WITH PROPOSED NEW CONSTRUCTION SHALL BE REMOVED BY THE CONTRACTOR WITH THE ENGINEER'S APPROVAL, AND SHALL BE INCLUDED IN THE PRICE BID FOR THE INSTALLED WATER PIPE. TREES AND SHRUBS WHICH ARE NOT IN DIRECT CONFLICT WITH PROPOSED CONSTRUCTION SHALL BE SAVED AND PROTECTED FROM DAMAGE.
- OPENING AND CLOSING WATER VALVES SHALL BE DONE SLOWLY TO PREVENT DAMAGE TO THE WATER DISTRIBUTION SYSTEM FROM WATER HAMMER. ALL VALVES CLOSED BY THE CONTRACTOR MUST BE REOPENED AS SHOWN BY THE CONTRACTOR WITH THE ENGINEER'S APPROVAL, AND SHALL BE INCLUDED IN THE PRICE BID FOR THE INSTALLED WATER PIPE. TREES AND SHRUBS WHICH ARE NOT IN DIRECT CONFLICT WITH PROPOSED CONSTRUCTION SHALL BE SAVED AND PROTECTED FROM DAMAGE.
- CONTRACTOR SHALL NOT START WORK ON THE PROJECT UNTIL THE PROJECT INSPECTOR IS ASSIGNED TO THE PROJECT AND IS PRESENT ON THE SITE. ANY WORK DONE WITHOUT INSPECTION WILL BE REQUIRED TO BE UNCOVERED FOR INSPECTION.
- UNDERGROUND UTILITY SERVICE LINES AND OVERHEAD UTILITY POLE LINES ARE TO BE ADJUSTED AS NECESSARY BY OTHERS PRIOR TO CONSTRUCTION UNLESS THE PLANS SPECIFICALLY CALL FOR THEIR ADJUSTMENT BY THE CONTRACTOR. EXISTING UTILITIES AND THEIR LOCATION, AS SHOWN ON THE PLANS, REPRESENT THE BEST INFORMATION OBTAINABLE FOR DESIGN. LOCATION INFORMATION HAS BEEN OBTAINED FROM THE VARIOUS UTILITY COMPANIES AND IS EITHER FROM COMPANY RECORD DRAWINGS OR COMPANY PROVIDED FIELD LOCATIONS. THE CONTRACTOR WILL BE REQUIRED TO WORK AROUND EXISTING UTILITIES WITHIN THE RIGHT-OF-WAY WHICH DO NOT CONFLICT WITH PROPOSED CONSTRUCTION.
- THE CONTRACTOR SHALL GIVE ALL PROPERTY OWNERS AND/OR TENANTS OF DEVELOPED PROPERTY DIRECTLY ABUTTING CONSTRUCTION OF THIS PROJECT A MINIMUM OF TEN (10) DAYS NOTICE PRIOR TO START OF CONSTRUCTION.
- THE CONTRACTOR SHALL BE RESPONSIBLE FOR PRESERVING PROPERTY IRONS WHICH ARE DAMAGED OR DESTROYED BY HIS CONSTRUCTION OPERATIONS. SUCH IRONS SHALL BE RE-ESTABLISHED BY A LICENSED LAND SURVEYOR IN ACCORDANCE WITH STATE LAWS. ALL COSTS FOR THIS WORK SHALL BE SUBSIDIARY TO SITE RESTORATION.
- THE CONTRACTOR SHALL RESTORE ALL DITCHES, SWALES, ROAD SHOULDERS, ENTRANCES AND BANK LINES TO THEIR ORIGINAL SLOPES AND GRADES EXCEPT AS SHOWN OTHERWISE.
- INTERURBAN TRAFFIC GENERATED OUTSIDE THE PROJECT AREA, AND LOCAL BUSINESS OR RESIDENTIAL TRAFFIC GENERATED WITHIN THE PROJECT AREA ARE TO BE CARRIED THROUGH CONSTRUCTION AS FURTHER PROMULGATED BY PROJECT SPECIAL PROVISIONS.
- RUBBLE FROM THE REMOVAL OF MISCELLANEOUS STRUCTURES INCLUDING ANY TREES REMOVED AND TREE TRIMMINGS SHALL BE DISPOSED OF ON SITES TO BE PROVIDED BY THE CONTRACTOR. THESE SITES SHALL BE APPROVED BY THE ENGINEER AS TO SUITABILITY, APPEARANCE AND SITE LOCATION. LOCATIONS THAT, IN THE OPINION OF THE ENGINEER, WILL LEAVE AN UNSIGHTLY APPEARANCE WILL NOT BE APPROVED. ALL DISPOSAL SITES MUST BE APPROVED BY THE KANSAS DEPARTMENT OF HEALTH AND ENVIRONMENT. MATERIAL EITHER STOCKPILED OR DISPOSED OF IN A FLOOD PLAIN WOULD REQUIRE A KANSAS STATE BOARD OF AGRICULTURE PERMIT. ANY MATERIAL DUMPED IN WATERS OF THE UNITED STATES OR WETLANDS IS SUBJECT TO U.S. CORPS OF ENGINEERS PERMITTING REGULATIONS. ANY MATERIAL BURIED OR STOCKPILED BEYOND APPROVED CONSTRUCTION LIMITS WOULD REQUIRE ADDITIONAL ARCHAEOLOGICAL INVESTIGATIONS UNLESS BURIED IN A PREVIOUSLY APPROVED BORROW LOCATION. THE CONTRACTOR SHALL LAY A TRACER WIRE & SET TEST STATIONS ALONG ALL WATER LINE PIPE INSTALLED IN ACCORDANCE WITH CITY OF WICHITA SPECIFICATIONS & TRACER WIRE DETAIL ON DETAIL SHEET. COST IS SUBSIDIARY TO PIPE INSTALLATION.
- THE CONTRACTOR SHALL LAY A TRACER WIRE AND SET TEST STATIONS ALONG ALL WATER LINE PIPE INSTALLED IN ACCORDANCE WITH CITY OF WICHITA SPECIFICATIONS.

APPROVED AS NOTED
 BY CITY ENGINEER OF WICHITA,
 BY WICHITA WATER & SEWER DEPARTMENT,
 & BY WICHITA FIRE DEPARTMENT

Water Mains (Engineering) *[Signature]* 3/31/11
 Water Mains (Water Utilities) *[Signature]* 03-31-2011
 Fire Prot. Line (Fire Dept.) *[Signature]* 04-01-2011

NOTE TO CONTRACTORS

Public Property:

Inspection and testing for the waterline is to be provided by a Licensed Consulting Engineering Firm under contract with the Owner/Developer. Said inspection to be in accordance with the City of Wichita Standard Construction Engineering Practices and certified by a Professional Engineer licensed in the state of Kansas. No work shall be performed in dedicated easements or public rights-of-way by the Contractor without such inspection, nor shall any work be commenced without written authorization by the City Engineer. All construction and materials shall comply with the City of Wichita Specifications and Standards (on file and available in the City Engineer's Office).

Private Property:

Installation and testing for the fire protection line is to be performed by a City of Wichita Licensed Fire Protection Contractor in accordance with the fire codes as adopted by the City of Wichita. All materials and construction practices for the fire protection line shall comply with the fire codes as adopted by the City of Wichita (available from the City of Wichita Fire Department). The Contractor shall not commence work without notification to and approval of the Wichita Fire Department. Inspection of the fire protection line is to be provided by a licensed engineering firm under contract with the Owner/Developer and the Fire Department. The contractor shall not start work until the project inspector is assigned to the project and present on the site. Any work done without inspection will be required to be uncovered for inspection.

LOT 1 LEGAL DESCRIPTION

Lot 1, Block 1, Greenwich Office Park Second Addition, an addition, to Wichita, Sedgwick County, Kansas,

BENCHMARKS

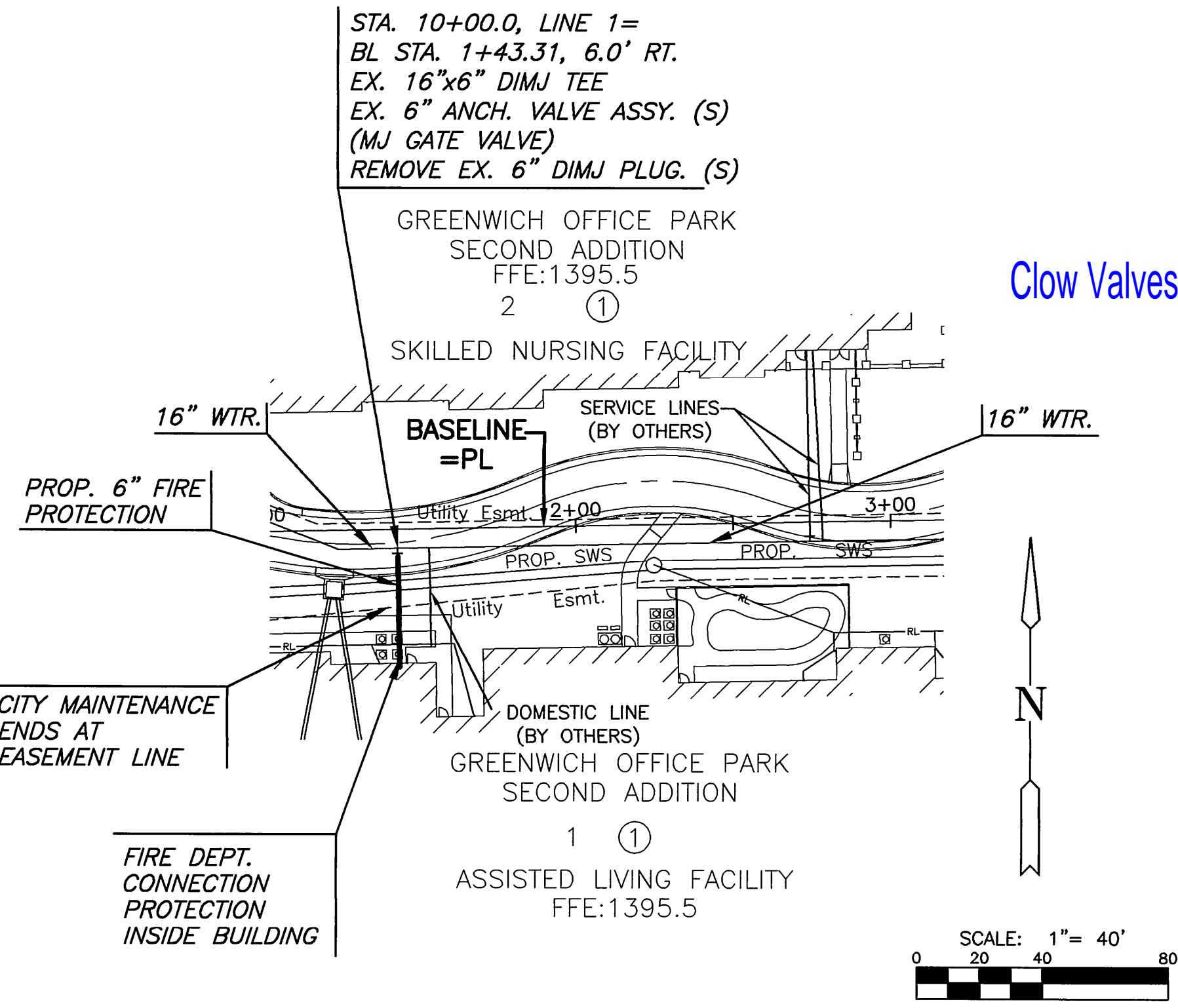
- BM#1 Chiseled square on top of curb at north end of 2nd island north of 13th St. N. on Veranda, 461' north of 13th St. and centerline Veranda. Elev.=1387.03 NAVD 88
- BM#2 Railroad spike in north side of power pole, 930' east of centerline Veranda and 39' north of centerline 13th St. N. Elev.=1399.01 NAVD 88

NOTE:
 WATER LINE VALVES TO BE OPERATED BY CONTRACTOR ONLY IF WATER INSPECTOR IS ON SITE.

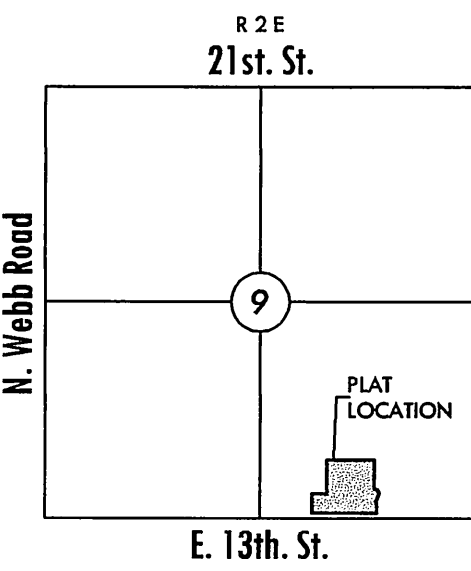
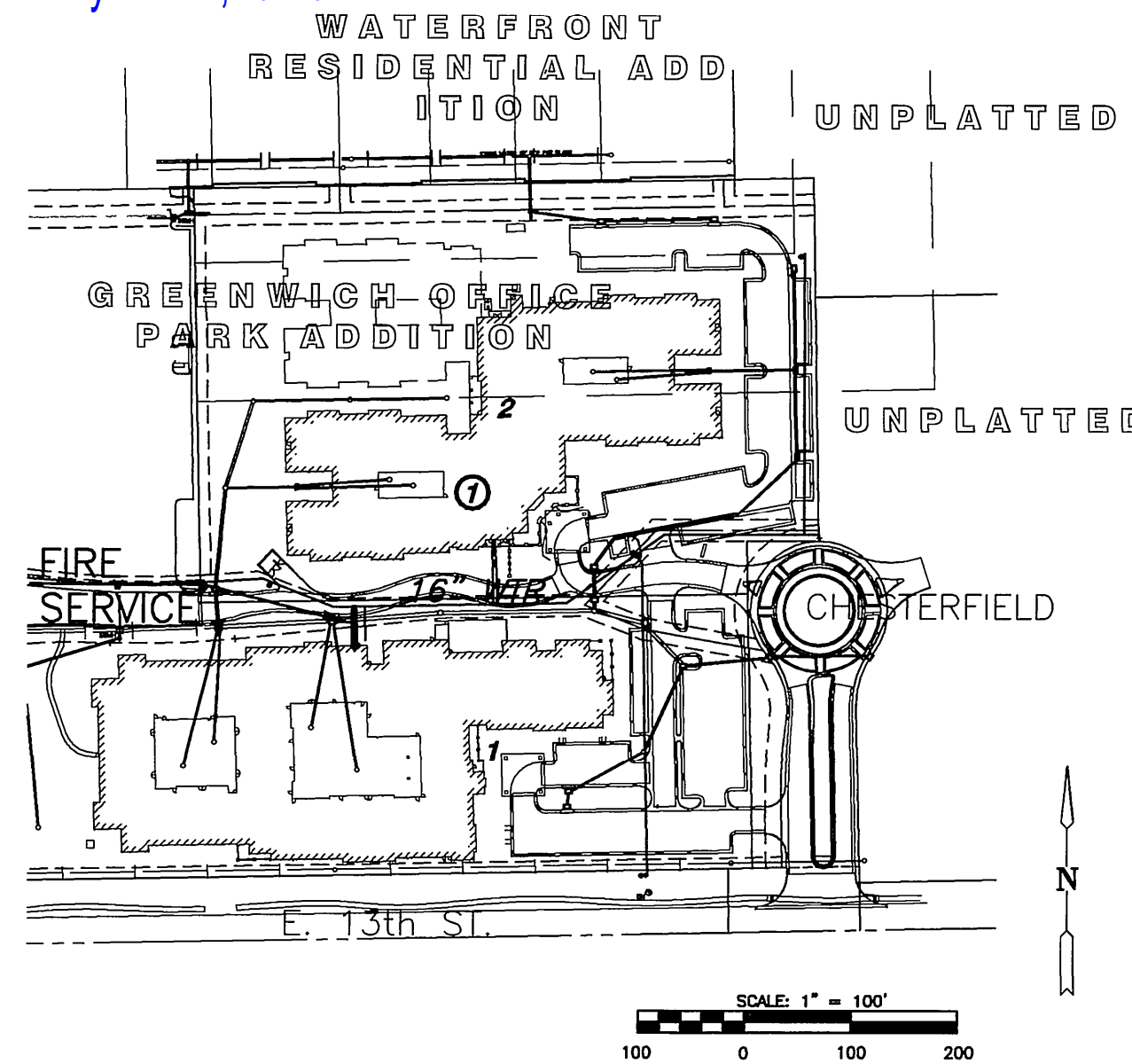
NOTE: ALL LINES TO BE INSTALLED BY OTHERS ARE SUBJECT TO OCI REVIEW

NOTE: CONTRACTOR TO VERIFY DEPTH AND LOCATION OF EXISTING UTILITIES PRIOR TO CONSTRUCTION.

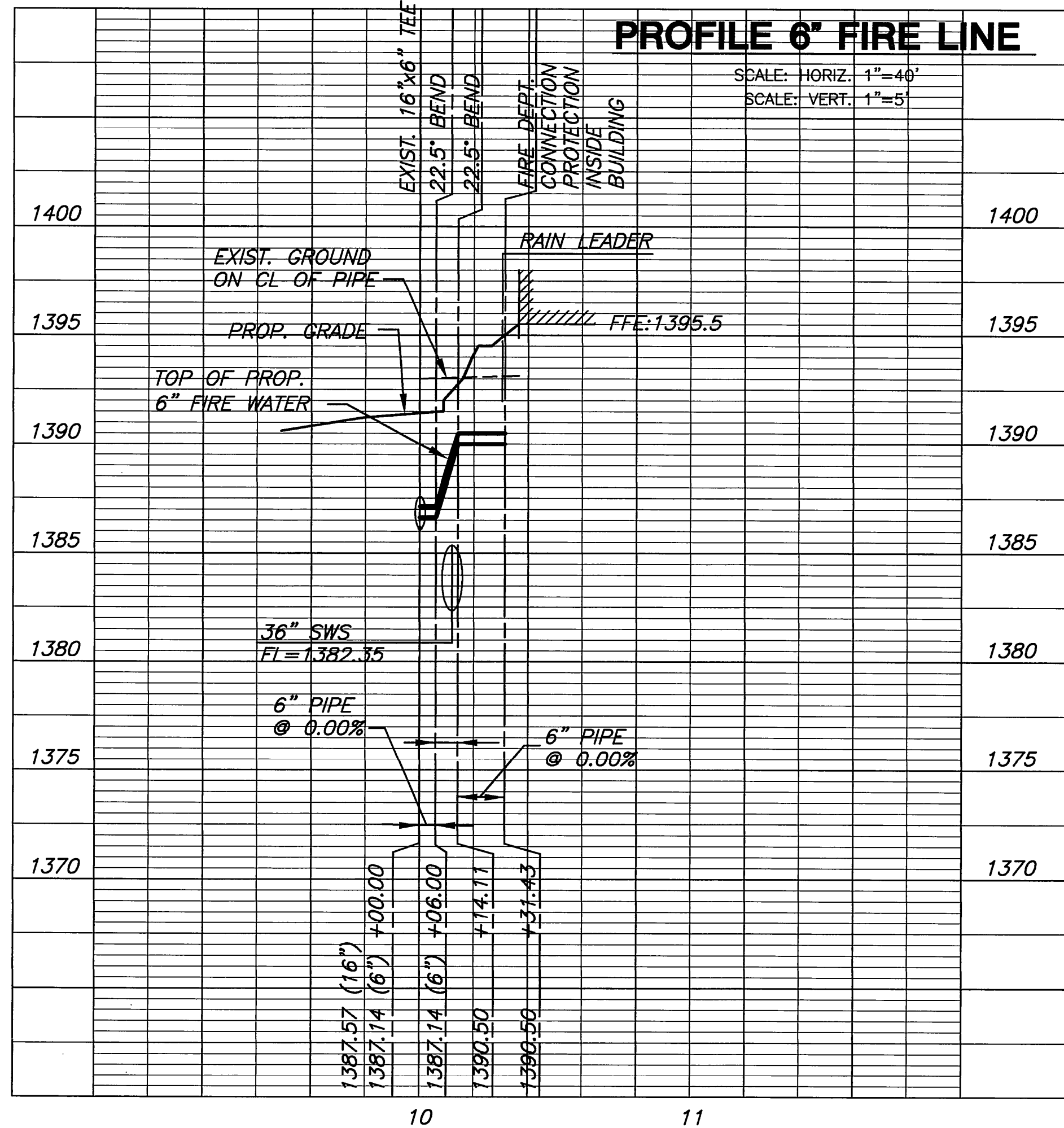
CITY OF WICHITA
 PRIVATE PROJECT
 NO. 1584PPW (607853)



PLAN 6" FIRE LINE



VICINITY MAP
 No Scale



PROFILE 6" FIRE LINE

SCALE: HORIZ. 1"=40'
 SCALE: VERT. 1"=5'

MKEC
 ENGINEERING
 CONSULTANTS, INC.
 411 N. WEBB ROAD
 WICHITA, KS. 67206
 316-684-9600

Professional Engineer Seal: Jeffrey T. Carwright, License No. 14371, State of Kansas, Mechanical Engineering.

FIRE WATER SERVICES
REGENT ASSISTED LIVING FACILITY
 GREENWICH OFFICE PARK SECOND ADDITION

FIRE LINE 1
 SHEET TITLE
1584PPW (607853)
 PROJECT NUMBER

GR / DM / GJA
 DESIGNED / DRAWN / CHECKED

ISSUED
 March 2011

REVISID

SHEET NO.
1 of 1