

WATER LINES & FIRE HYDRANTS TO SERVE

Lillie 2nd Addition

Lot 2, Block A

Private Project: 1582 PPW (607853)

CITY OF WICHITA, KANSAS

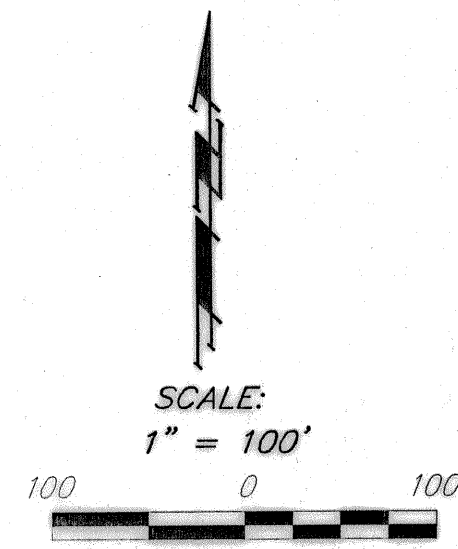
James Armour, P.E. City Engineer

March 2011

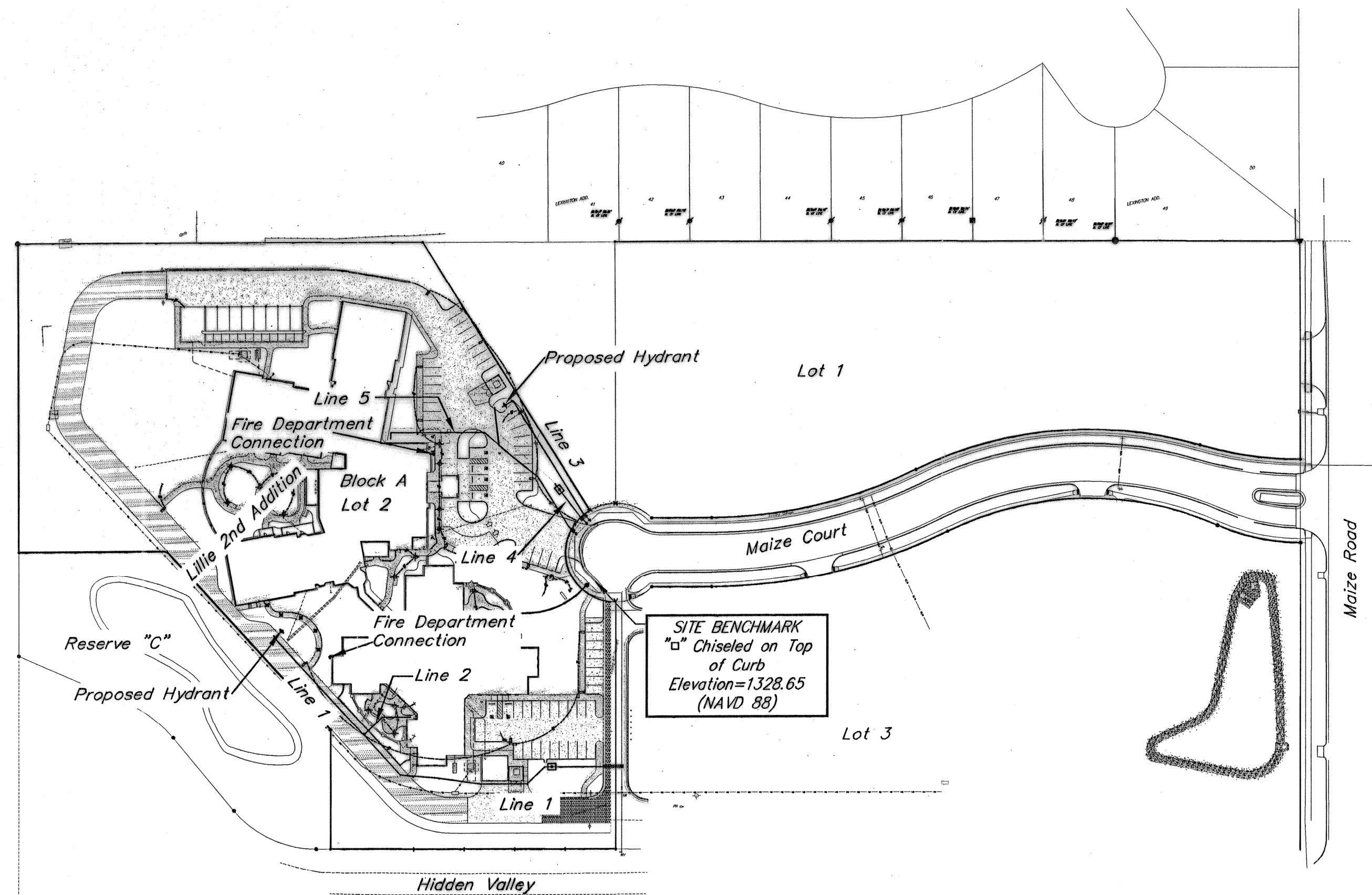
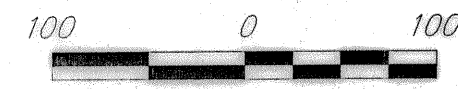
AS BUILT PLANS

Contractor: Mies
Inspector: Don Eddingfield, Baughman Co
pdf's by: KEK, 6/29/11

Clow Valver & Hydrants



SCALE:
1" = 100'



Benchmark

Benchmark - "□" cut in top of curb,
Southwest corner of Maize Cul-de-Sac.
Elevation = 1328.65 (NAVD 88)

Index

Title Sheet	1
Detail Sheet	2
Plan/Profile Sheets	3-5
Copy of Plat	6
BMP Erosion Details	Available On Request

Legal Description

Lot 2, Block A, Lillie 2nd Addition,
Wichita, Sedgwick County, Kansas

General Notes

- Contractor will be required to provide notice to utility companies a minimum of forty-eight (48) hours prior to any excavation, as follows:
Kansas One-Call 687-2470
The Contractor must notify the following in case of an emergency:
Cox Communications
Kansas Gas Service Company
Westar Energy (Electric) 1-888-482-4950
Black Hills Energy (Gas) 383-8650
Southwestern Bell Telephone Co. 1-800-303-0357
City of Wichita Water Dept. (Water) 1-800-286-8313
City of Wichita Sewer Maint. (SS) 262-6000
City of Wichita Storm Sewer Maint. 268-4090
City of Wichita Traffic Maint. 268-4034
- All disturbed R/W areas not intended for pavement or sidewalk construction shall be seeded with Kansas Premium Fescue Blend at a rate of 8 lb./1000 Sq. Ft., fertilized with a 16-20-6 ratio at a rate of 4 lb./1000 Sq. Ft., and mulched with Prairie Hay at a rate of 92 lb./1000 Sq. Ft. Mulch shall be "patted" with forks or punched into soil to reduce loss due to wind.
- Utility service lines, poles, valve boxes, meters, et cetera are to be adjusted as necessary by others prior to construction unless the plans specifically call for their adjustment by the Contractor or unless the plans specifically identify a utility to be adjusted by its owner during construction. Existing utilities and their location, as shown on the plans represent the best information obtainable for design and shall be field verified. The contractor will be required to work around existing utilities within the right-of-way which do not conflict with proposed construction.
- Contractor shall furnish the inspector with a copy of the manufacturer's certification for any pipe used on this project after completion of pipe installation. The engineer will not certify the project to the city until pipe certification has been received.
- Cuts made to paved surfaces on public property will be repaired by the City's contractor and charged against the owner/applicant. Unit repair prices are available from the City at 268-4418. A surcharge may be applicable: call 268-4418 for details. Repair costs to be paid prior to release of sewer service if sewer service is affected. Contractor shall obtain permit prior to construction.
- Barriers and detour signage shall be in accordance with the Manual On Uniform Traffic Control Devices.
- Contractor to remove concrete sidewalk to the nearest construction joint if within 3' of joint. Saw cut if over 3' from joint. Removal and replacement of pavement shall not be paid for directly, but shall be considered incidental to other items in the project.
- Contractor shall not start work on the project until the project inspector is assigned to the project and is present on the site. Contractor shall not start on the project until all necessary bonds and permits have been obtained. Bonds may include but are not limited to Statutory, Performance & Maintenance Any work done without inspection will be required to be uncovered for inspection.
- Rubble from the removal of miscellaneous structures and excess excavation which is to be wasted shall be disposed of on sites to be provided by the Contractor. These sites shall be approved by the Engineer as to suitability, appearance and site location. Locations that, in the opinion of the Engineer, will leave an unsightly appearance will not be approved. All disposal sites must be approved by the Kansas Department of Health and Environment. Material either stockpiled or disposed of in a flood plain would require a Kansas State Board of Agriculture permit. Any material dumped in waters of the United States or wetlands is subject to U.S. Corps. of Engineers permitting regulations. Any material buried or stockpiled beyond approved construction limits would require additional archaeological investigations unless buried in a previously approved borrow location.
- All water lines and appurtenances shall be installed in accordance with the most recent edition of City of Wichita, Kansas Standard Specifications for the Construction of City Projects.

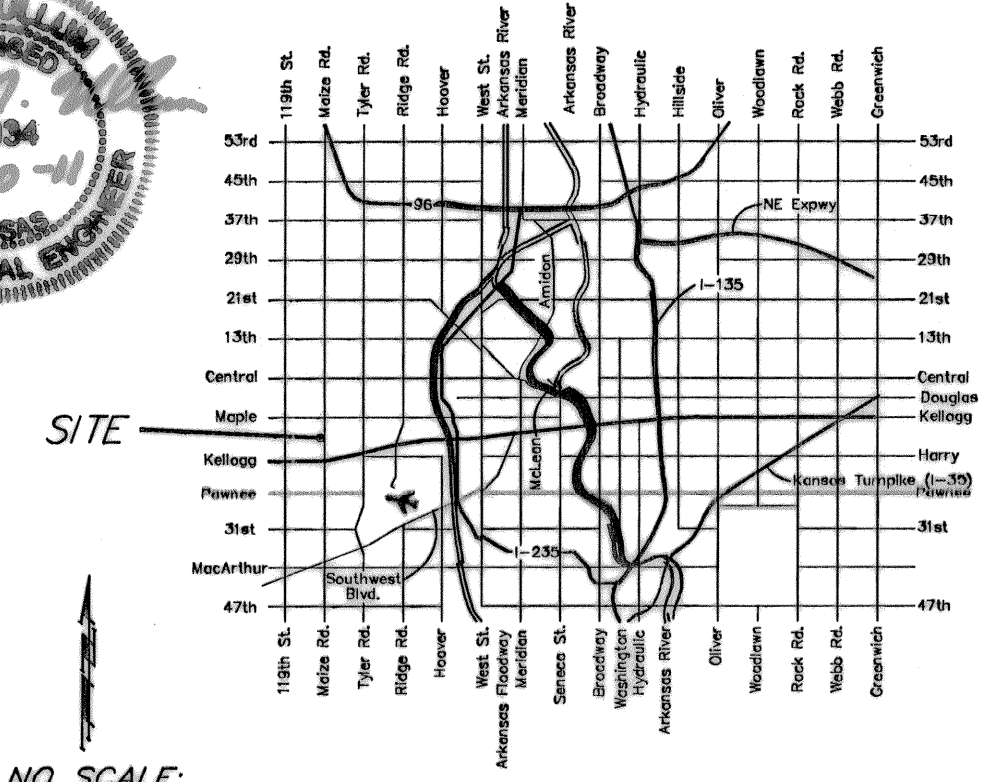
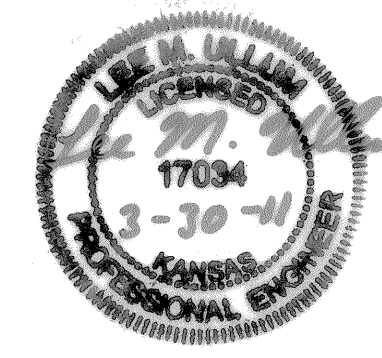
APPROVED AS NOTED
BY CITY ENGINEER OF WICHITA,
BY WICHITA WATER & SEWER DEPARTMENT,
& BY WICHITA FIRE DEPARTMENT

Public Works *3/30/11*
Water & Sewer *3-30-11*
Fire *3-30-11*

NOTE TO CONTRACTORS

Public Property:
Inspection and testing for the waterline is to be provided by a Licensed Consulting Engineering Firm under contract with the Owner/Developer. Said inspection to be in accordance with the City of Wichita standard construction engineering practices and certified by a Professional Engineer Licensed in the state of Kansas. No work shall be performed in dedicated easements or public right-of-way by the Contractor without such inspection nor shall any work be commenced without written authorization by the City Engineer. All Construction and Materials shall comply with the City or Wichita Specifications and Standards (on file and available in the City Engineer's Office).

Private Property:
Installation and testing for the fire protection line is to be performed by a City of Wichita licensed fire protection contractor in accordance with the fire codes as adopted by the City of Wichita. All material and construction practices for the fire protection line shall comply with the fire codes as adopted by the City of Wichita (available from the City of Wichita Fire Department). The Contractor shall not commence work without notification and approval of the Wichita Fire Department. Inspection of the fire protection line is to be provided by a licensed Engineering Firm under contract with the Owner/Developer and the Fire Department. The contractor shall not start work until the project inspector is assigned to the project and present on the site. Any work done without inspection will be required to be uncovered for inspection.



NO SCALE.

VICINITY MAP