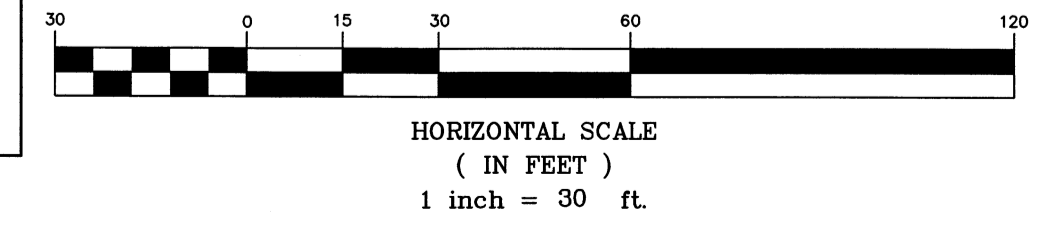
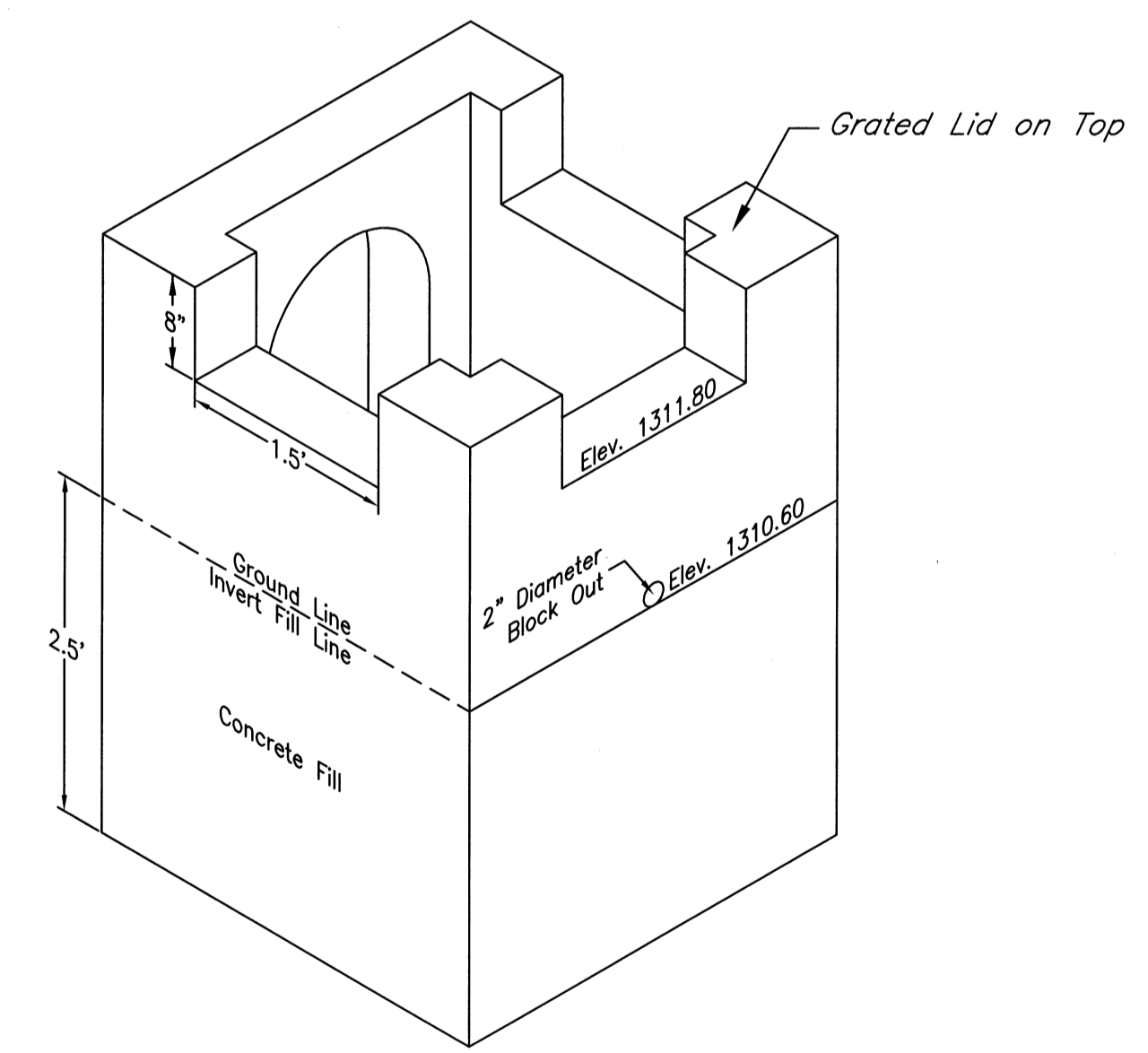
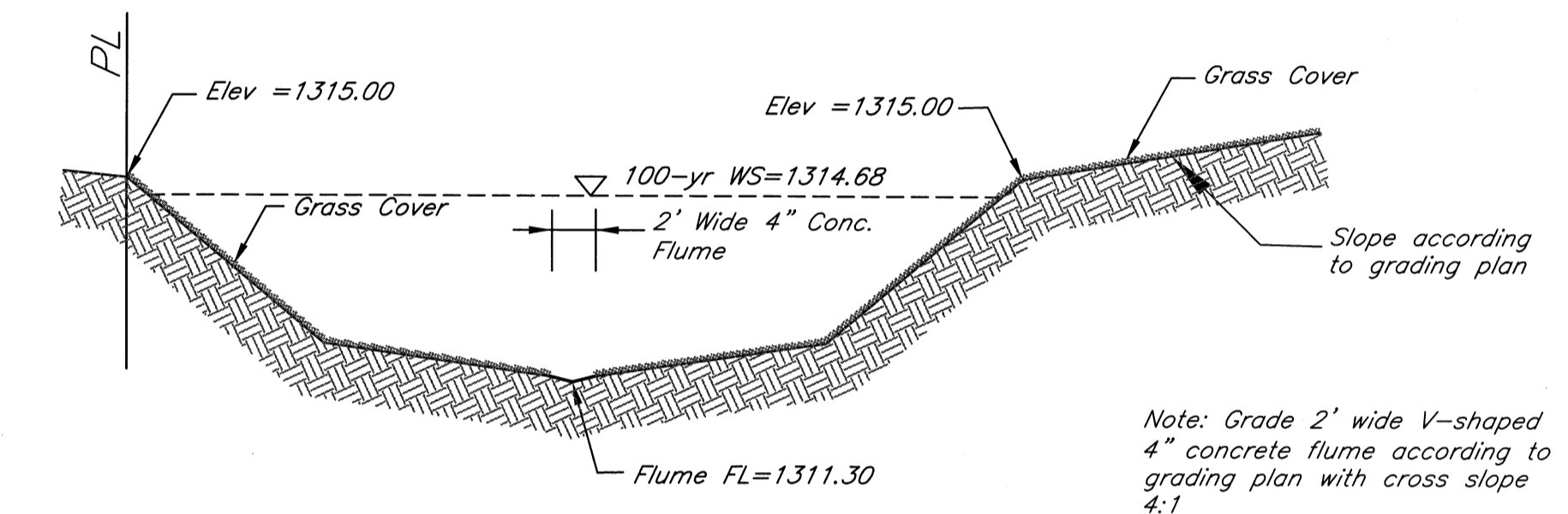


- Enhanced Swale Construction Note:**
- The channel and underdrain excavation should be limited to width and depth specified in typical section.
 - The bottom of the excavated trench shall not be loaded to cause compaction and shall be scarified prior to placement of gravel and permeable soil.
 - The sides of channel shall be trimmed of all large roots. The sidewalls shall be uniform with no voids and scarified prior to backfilling.
 - Contractor shall be responsible for mix design of permeable backfill soil and shall be approved by Licensed Geotechnical Engineer in the State of Kansas.
 - Contractor shall be responsible for testing the backfill permeable soil and shall be approved by Licensed Geotechnical Engineer in the State of Kansas.



TOP - North Central Plan Sheet
Wichita, Kansas

kemiller engineering
516 S. Market, Wichita, KS 67202 (316)264-0242

PROJECT NUMBER			
KEM NO. 10147	FILE	DATE 01/19/2011	SHEET 2.0
DESIGN KM	DRAWN NS	REVISED	