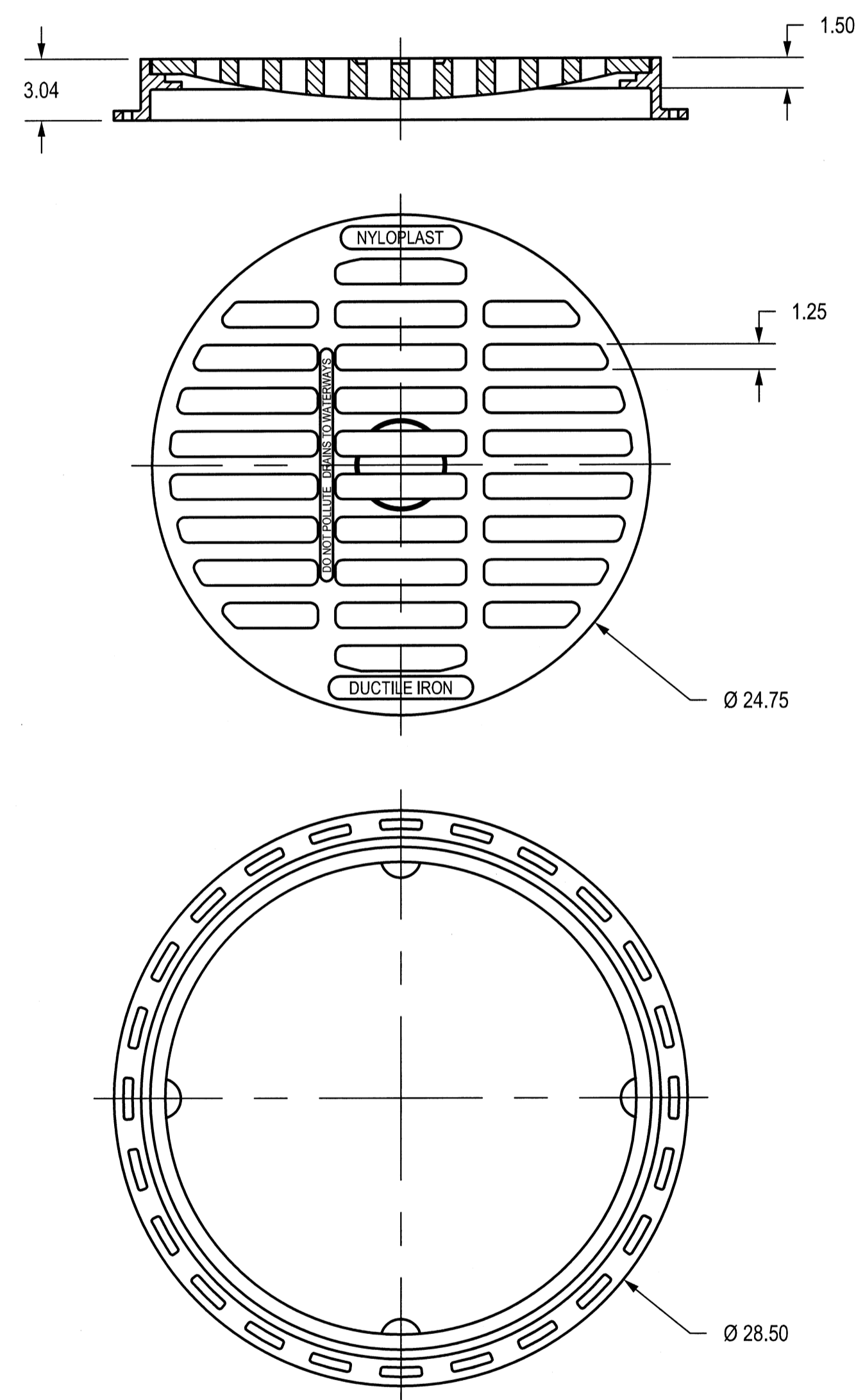



2499CGS

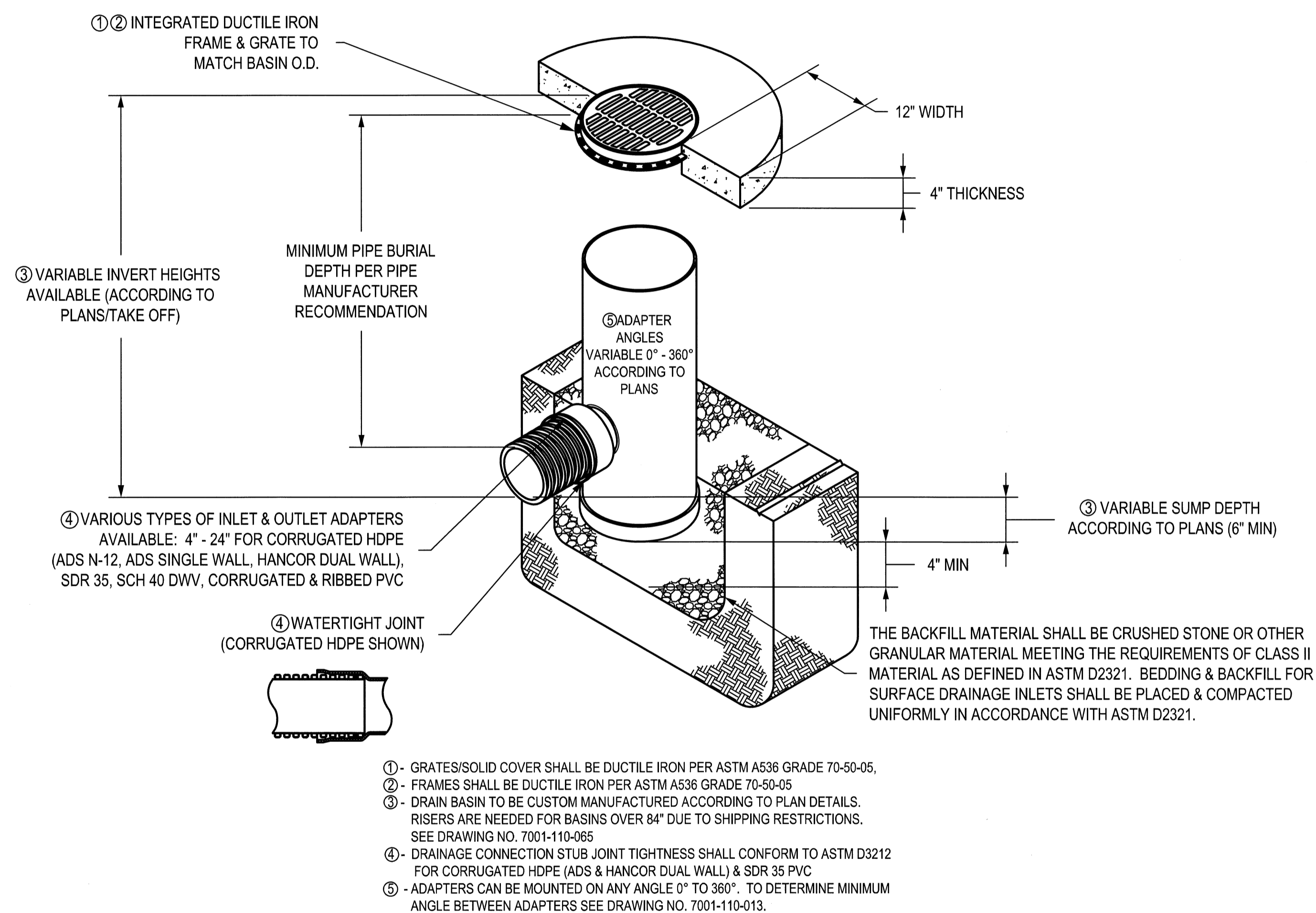
APPROX. DRAIN AREA = 194.60 SQ IN
APPROX. WEIGHT WITH FRAME = 124.00 LBS




ALL DIMENSIONS IN INCHES UNLESS NOTED OTHERWISE
GRATE MEETS H-20 LOAD RATING
QUALITY: MATERIALS SHALL CONFORM TO ASTM A536 GRADE 70-50-05
PAINT: CASTINGS ARE FURNISHED WITH A BLACK PAINT
LOCKING DEVICE AVAILABLE UPON REQUEST SEE DRAWING NO. 7001-110-024

THESE PRINTS DISCLOSE SUBJECT MATTER IN WHICH NYLOPLAST HAS PROPRIETARY RIGHTS. THE RECEIPT OR POSSESSION OF THIS PRINT DOES NOT CONFER, TRANSFER, OR LICENSE THE USE OF THE DESIGN OR TECHNICAL INFORMATION SHOWN HEREIN REPRODUCTION OF THIS PRINT OR ANY INFORMATION CONTAINED HEREIN, OR MANUFACTURE OF ANY ARTICLE HEREFROM, FOR THE DISCLOSURE TO OTHERS IS FORBIDDEN, EXCEPT BY SPECIFIC WRITTEN PERMISSION FROM NYLOPLAST.	DRAWN BY DATE 3-8-06	EBC	MATERIAL DUCTILE IRON	 3130 VERONA AVE BUFORD, GA 30518 PHN (770) 932-2443 FAX (770) 932-2490 www.nyloplast-us.com	TITLE 24 IN STANDARD GRATE ASSEMBLY - TYPE B
APPD BY DATE 3-8-06	CJA	PROJECT NO./NAME	DWG NO. 7001-110-217		REV B
DWG SIZE A	SCALE 1:10	SHEET 1 OF 1			

NYLOPLAST 24" DRAIN BASIN



GRATE OPTIONS	LOAD RATING	PART #	DRAWING #
PEDESTRIAN	MEETS H-10	2499CGP	7001-110-216
STANDARD	MEETS H-20	2499CGS	7001-110-217
SOLID COVER	MEETS H-20	2499CGC	7001-110-218
DOMED	N/A	2499CGD	7001-110-219
DROP IN GRATE	LIGHT DUTY	2401DI	7001-110-075

THESE PRINTS DISCLOSE SUBJECT MATTER IN WHICH NYLOPLAST HAS PROPRIETARY RIGHTS. THE RECEIPT OR POSSESSION OF THIS PRINT DOES NOT CONFER, TRANSFER, OR LICENSE THE USE OF THE DESIGN OR TECHNICAL INFORMATION SHOWN HEREIN REPRODUCTION OF THIS PRINT OR ANY INFORMATION CONTAINED HEREIN, OR MANUFACTURE OF ANY ARTICLE HEREFROM, FOR THE DISCLOSURE TO OTHERS IS FORBIDDEN, EXCEPT BY SPECIFIC WRITTEN PERMISSION FROM NYLOPLAST.	DRAWN BY DATE 4-3-06	EBC	MATERIAL	 3130 VERONA AVE BUFORD, GA 30518 PHN (770) 932-2443 FAX (770) 932-2490 www.nyloplast-us.com	TITLE 24 IN DRAIN BASIN QUICK SPEC INSTALLATION DETAIL
APPD BY DATE 4-3-06	CJA	PROJECT NO./NAME	DWG NO. 7001-110-192		REV B
DWG SIZE A	SCALE 1:40	SHEET 1 OF 1			



TOP - North Central
Nyloplast Detail
Wichita, Kansas



PROJECT NUMBER			
KEM NO. 10147	FILE	DATE 01/19/2011	SHEET 2.2
DESIGN KM	DRAWN NS	REVISED	