

STORM WATER SEWER  
**BERKELEY SQUARE FIRST ADDITION**  
**HOME BANK & TRUST ADDITION**

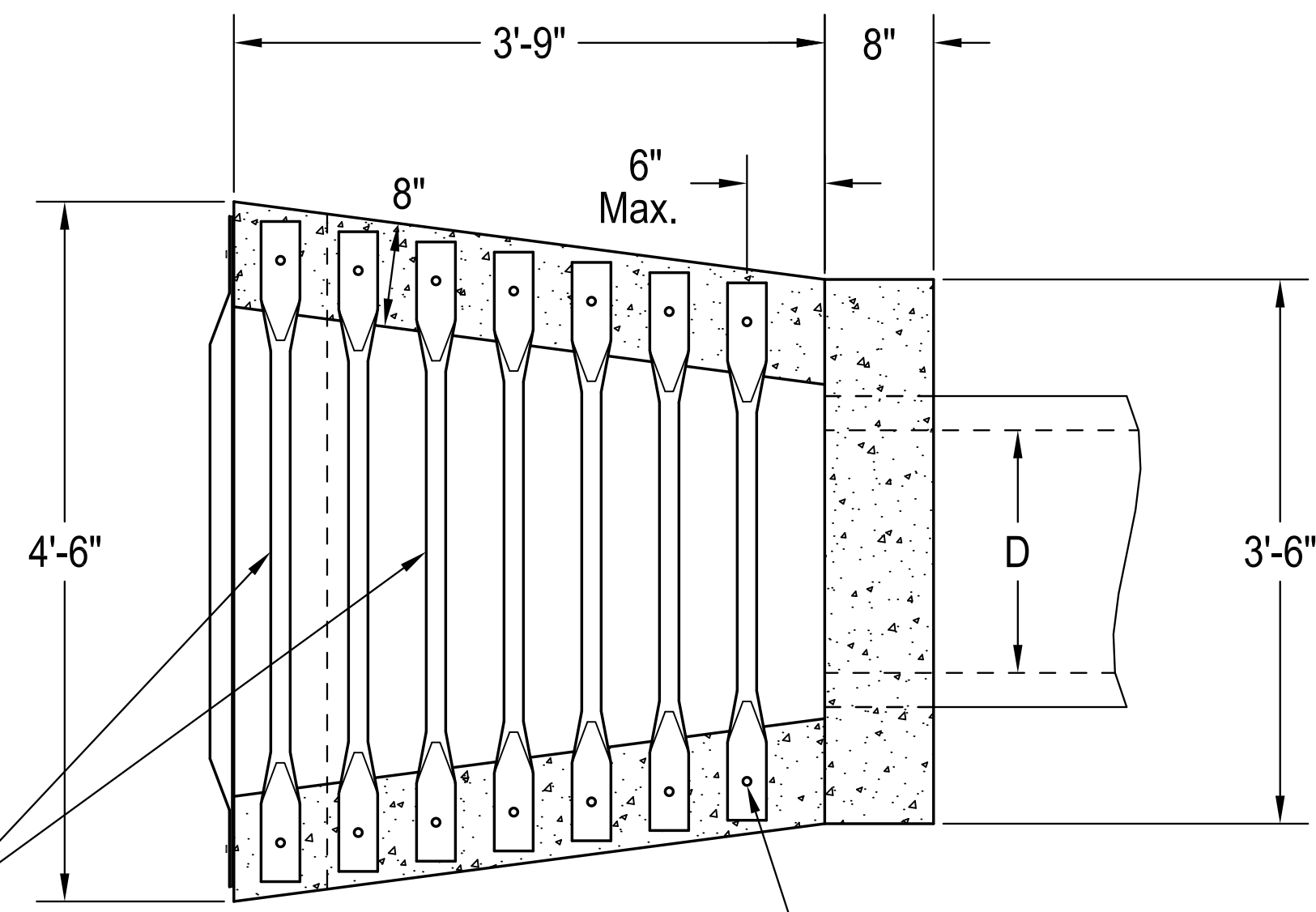
**HEADWALL  
GUARD DETAIL**

SHEET TITLE  
**468-84732**  
PROJECT NUMBER

DFL / KKL / GJA  
DESIGNED / DRAWN / CHECKED

ISSUED  
**August 2011**  
REVISED

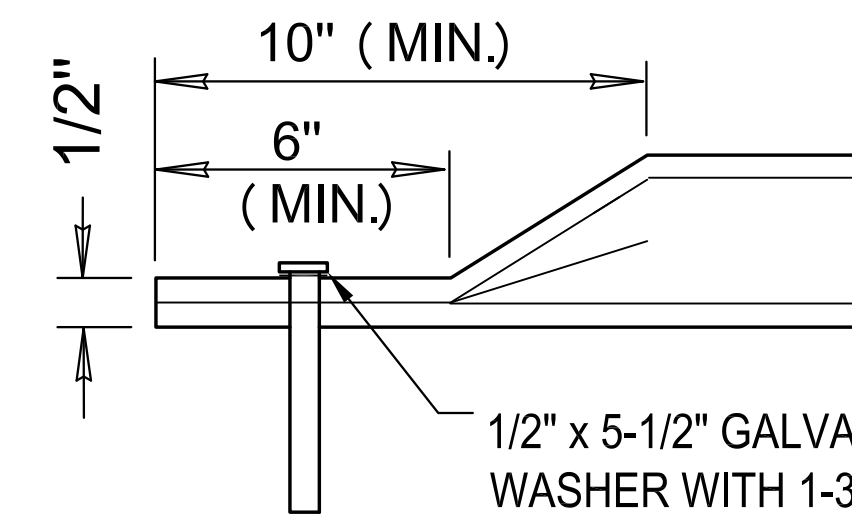
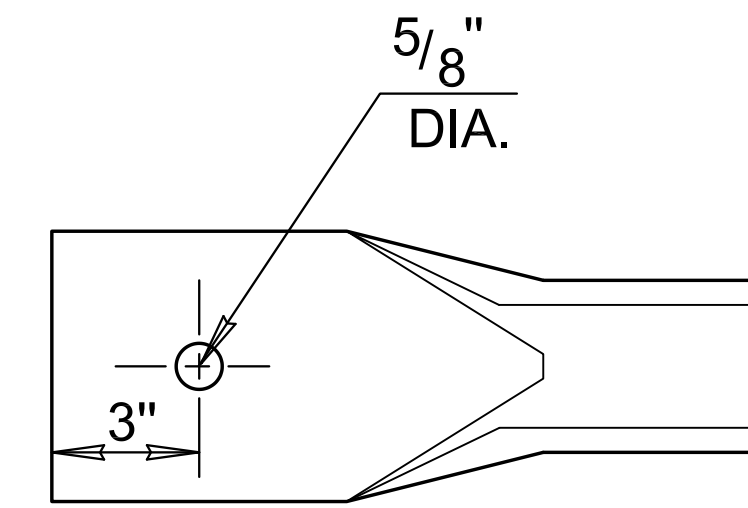
SHEET NO.



1-1/2" STD. PIPE AT 6" O.C. (TYP.)  
FABRICATED STEEL SHALL  
BE GALVANIZED AS SPECIFIED  
BY ASTM A-123.

NUT, BOLT, AND WASHER  
(SEE ANCHOR DETAIL)

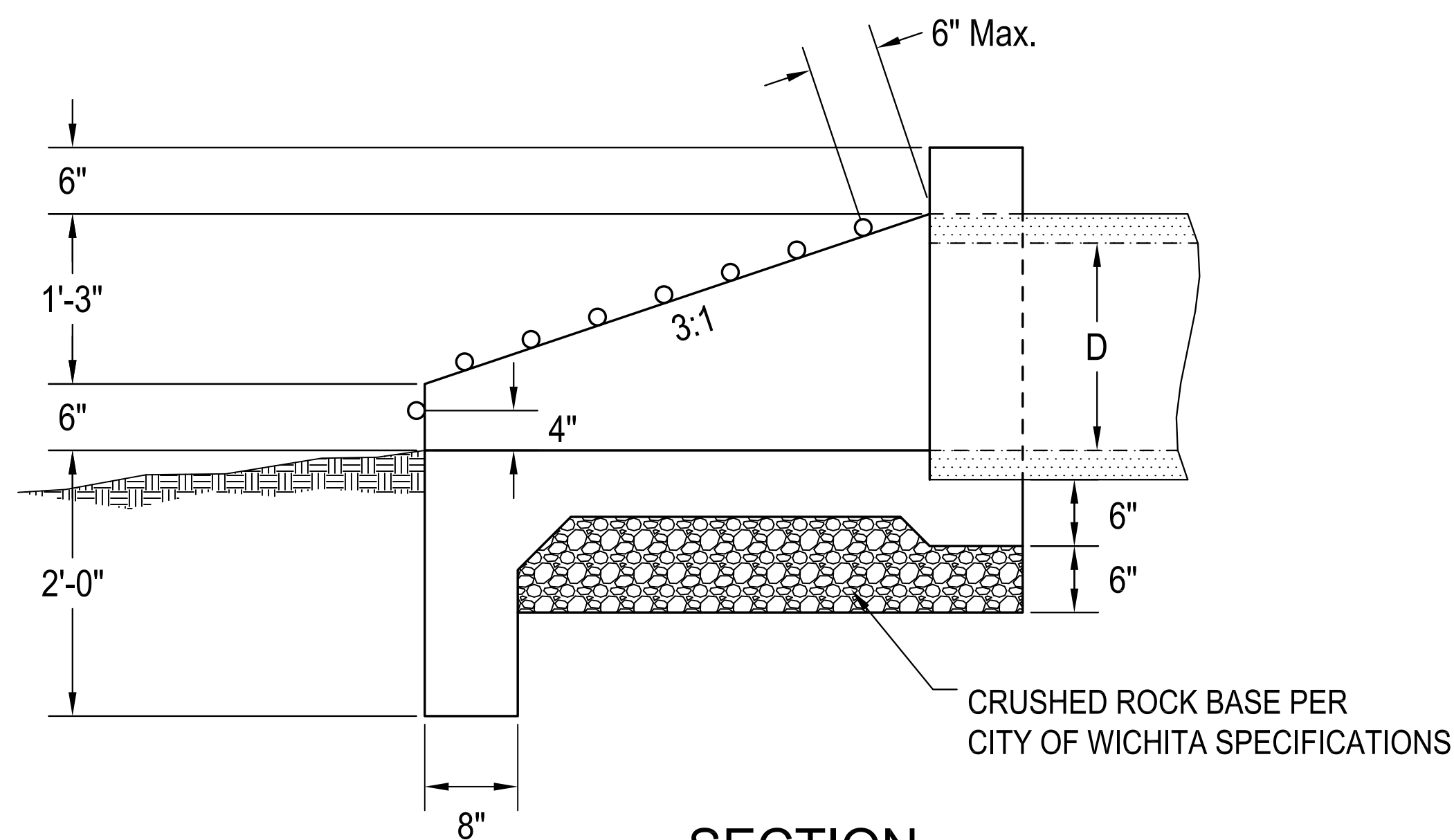
**PLAN**



1/2" x 5-1/2" GALVANIZED BOLT, NUT AND  
WASHER WITH 1-3/4" THREADS (ASTM-307) .  
DRILL & EPOXY BOLT INTO CONC. HEADWALL.

**ANCHOR DETAIL**

NTS



CRUSHED ROCK BASE PER  
CITY OF WICHITA SPECIFICATIONS

**SECTION**

**HEADWALL GUARD**

NTS