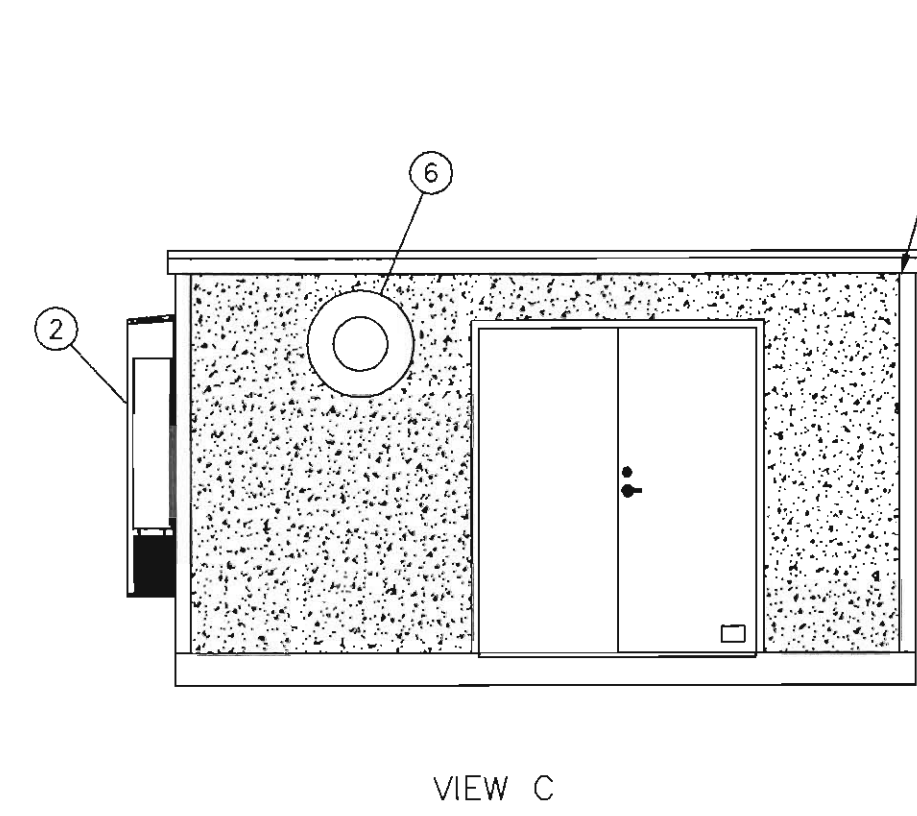
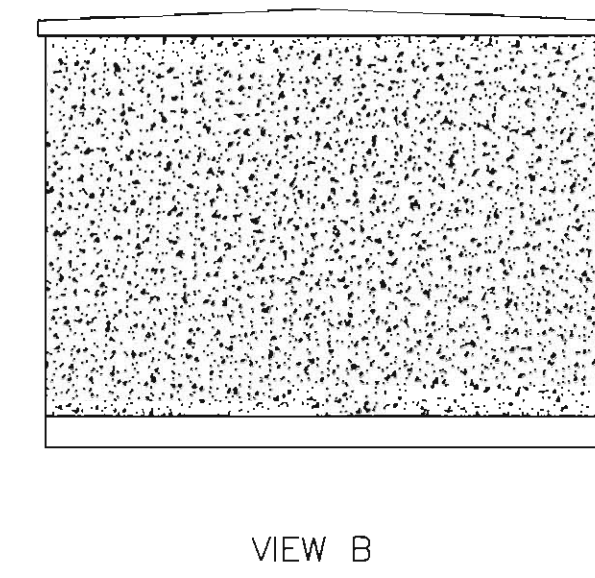
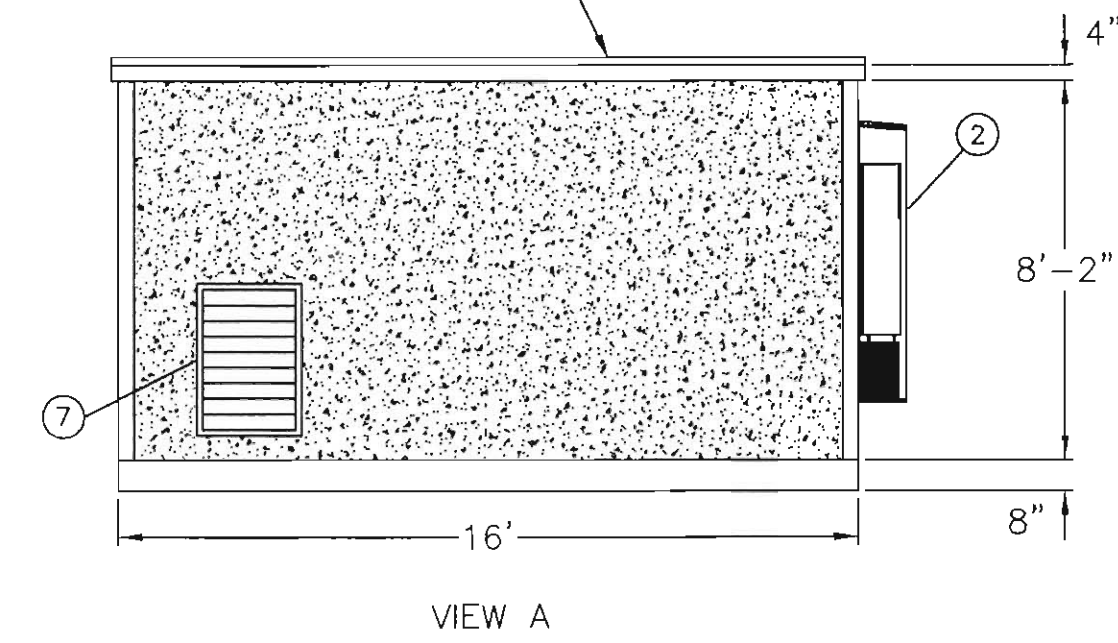
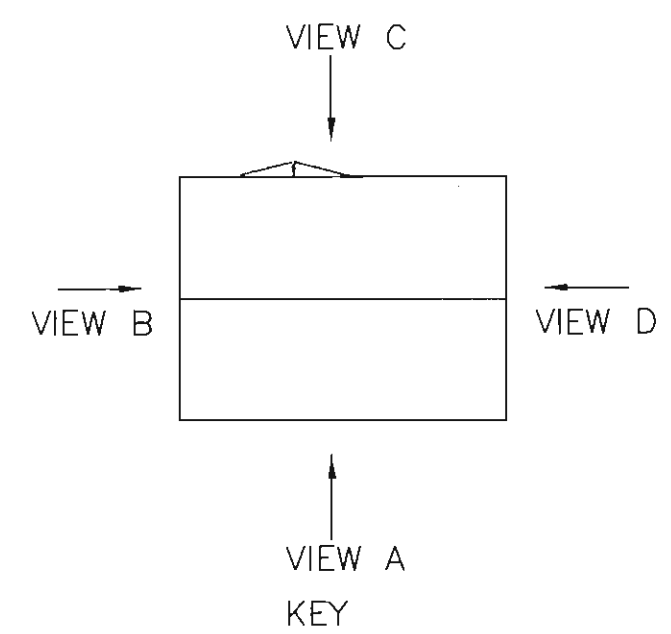
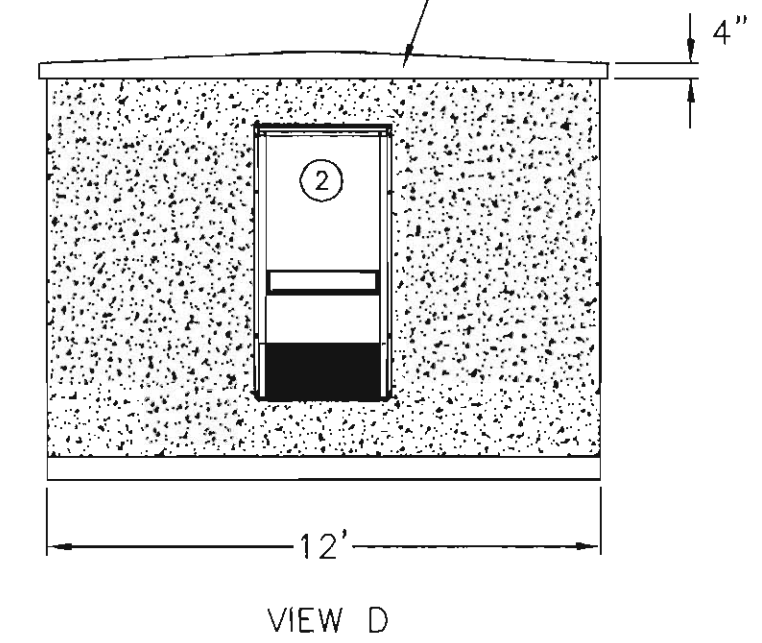


INSTALL 1-COAT OF THORO PRIMER 1000 AND TWO COATS OF THOROLASTIC WHITE ELASTOMERIC ROOF COATING (PASTEL WHITE)

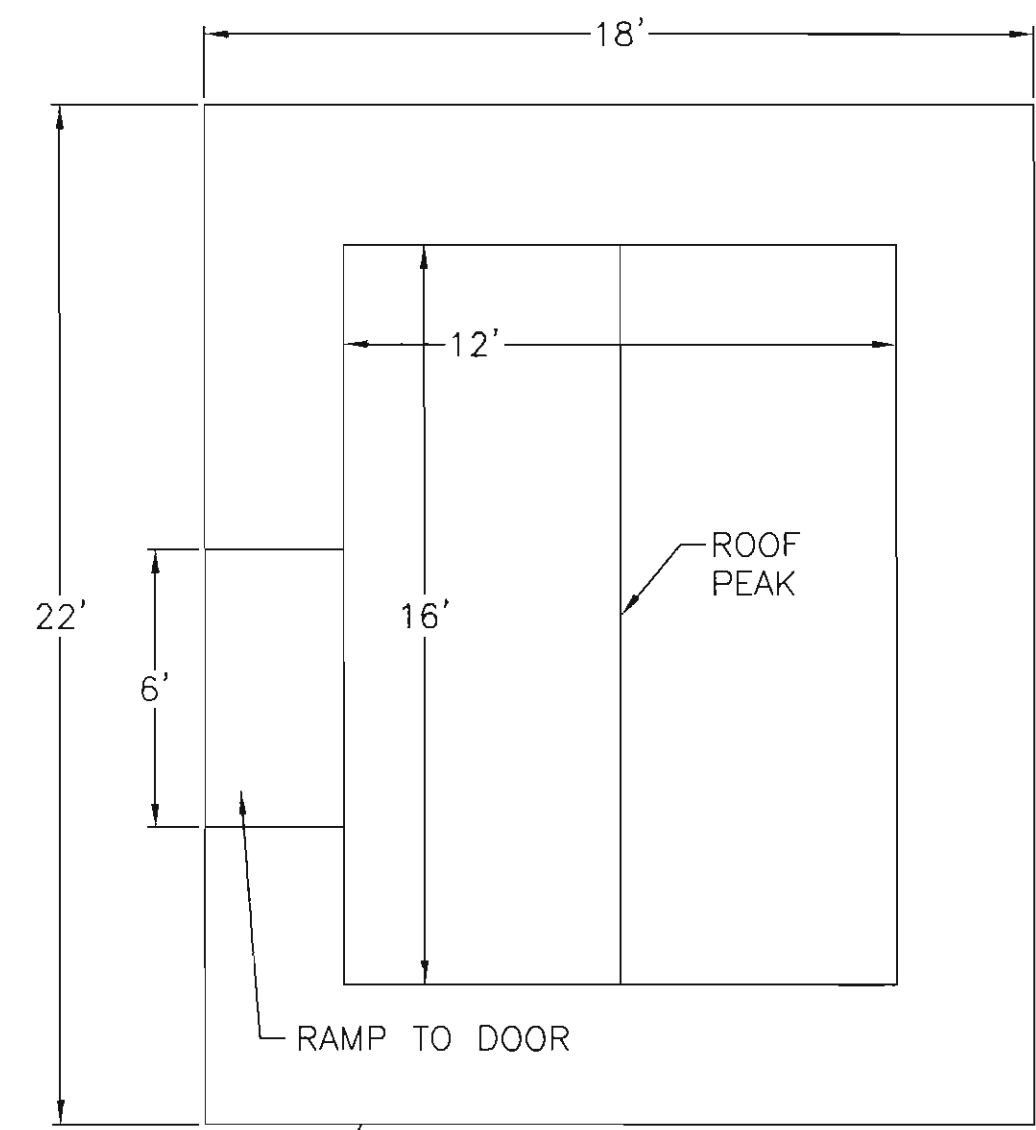


ALL JOINTS AND CONDUIT PENETRATIONS TO BE SEALED WITH SONNEBORN NP-1 URETHANE CAULKING (REDWOOD TAN)

ROOF EDGE TO BE COATED WITH THORO PRIMER 1000 AND ONE COAT OF THORO COAT FINE GRIT COATING AND TOP COATED WITH THOROLASTIC #2054



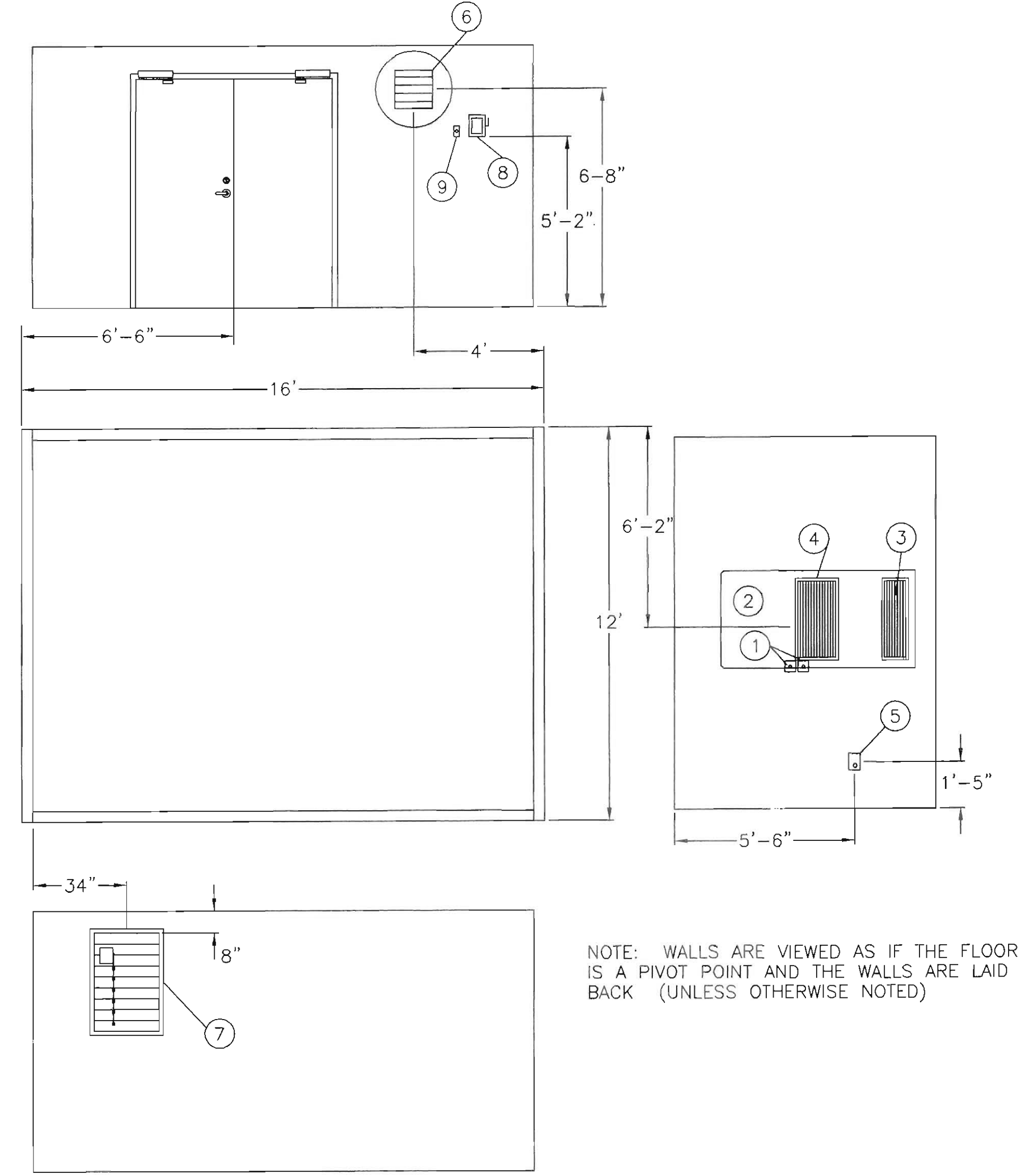
DOORS AND STEEL TRIM TO BE PRIME PAINTED WITH TNEMIC SERIES I OMNITHANE AND TOP COATED WITH TNEMIC SERIES 1075 ENDURA SHIELD II. COLOR TO BE TWINE-68BR 2-PART EPOXY.



EXTERIOR ELEVATIONS

ITEM LIST

NO.	DESCRIPTION
1	4" X 4" BOX WITH BLANK COVER WITH 3/4" RUNNING THREAD THRU WALL
2	BARD WA302-A10BP5 X X J 24,000 BTU AIR CONDITIONER WITH 10KW HEAT STRIP
3	BARD SUPPLY AIR GRILL
4	BARD RETURN AIR GRILL
5	TEMPERATURE CONTROLLER
6	CARNES VWDK12J3 SPUN CENTRIFUGAL FAN WITH DAMPER 1000 CFM
7	AIR BALANCE A445A 24" X 36" EXTRUDED ALUMINUM MOTORIZED DAMPER
8	FAN & LOUVER DISCONNECT SWITCH
9	FAN SPEED CONTROLLERS MOUNTED ON A 2 X 4 HANDY BOX



NOTE: WALLS ARE VIEWED AS IF THE FLOOR IS A PIVOT POINT AND THE WALLS ARE LAID BACK (UNLESS OTHERWISE NOTED)

INTERIOR ELEVATIONS

Saved 05-24-2011 8:46:09 AM by CSI
 Plot Scale 1:1 06-20-2011 3:31:27 PM by CATHY S. LINS
 G:\2010\10093\10093-C-EP'S Building Elevations

NOTE: DRAWINGS OBTAINED FROM BARBOUR BUILDING SYSTEMS.

MICHAEL D. KELLY
LICENSED PROFESSIONAL ENGINEER
13944
6/28/11
KANSAS

No.	Revision	By	Date
CITY OF BENTON BUTLER COUNTY, KANSAS MAIN BOOSTER PUMP STATION BUILDING PLAN MAIN BOOSTER PUMP STATION			
PEC PROFESSIONAL ENGINEERING CONSULTANTS, P.A. 303 SOUTH TOPEKA WICHITA, KS 67202 316-262-2891 www.pec1.com			
Designed by	MDK, JDG	Job No.	35-10093-1558
Drawn by	JAN	Date	September 2010

Sht. 13 of 18