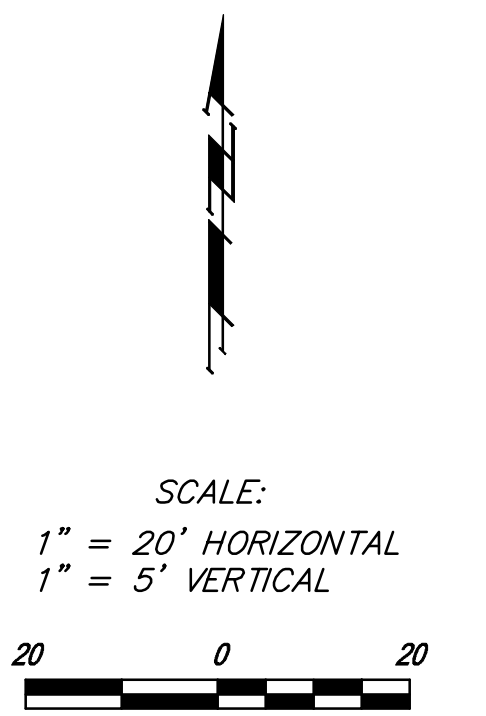
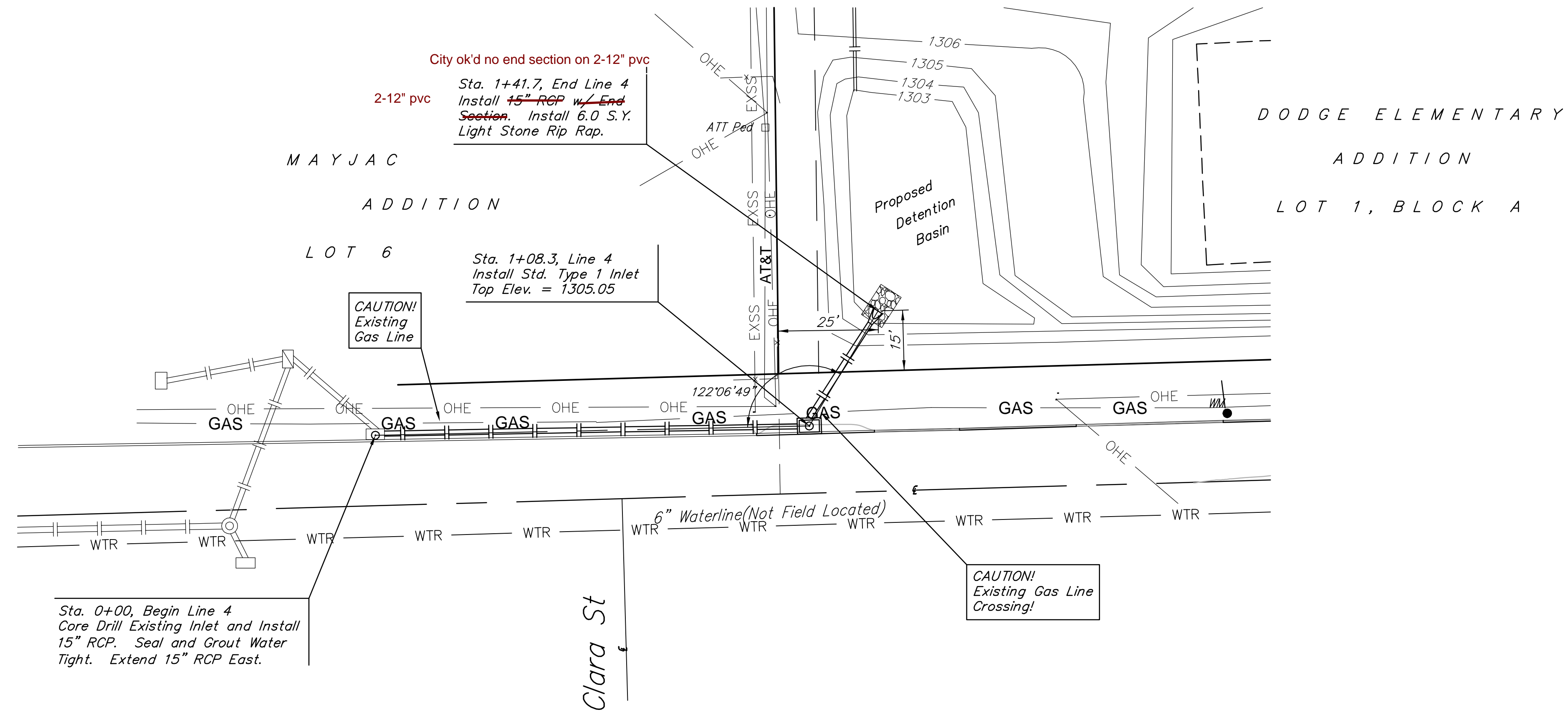


BENCHMARKS

City of Wichita Disc at NW Curb Return at Intersection of 2nd St. and Anna.
Elevation = 1307.50 (NAVD 88)

"X" Cut in SW Curb Return at Intersection of 1st St. and BeBe.
Elevation = 1305.47 (NAVD 88)



Contractor Shall Follow All Applicable Best Management Practices (BMP) For Erosion Control.

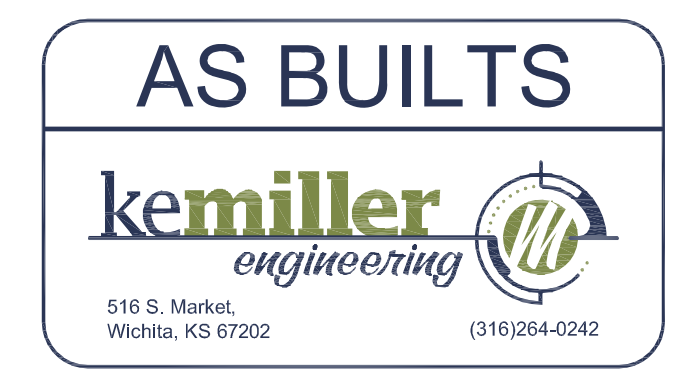
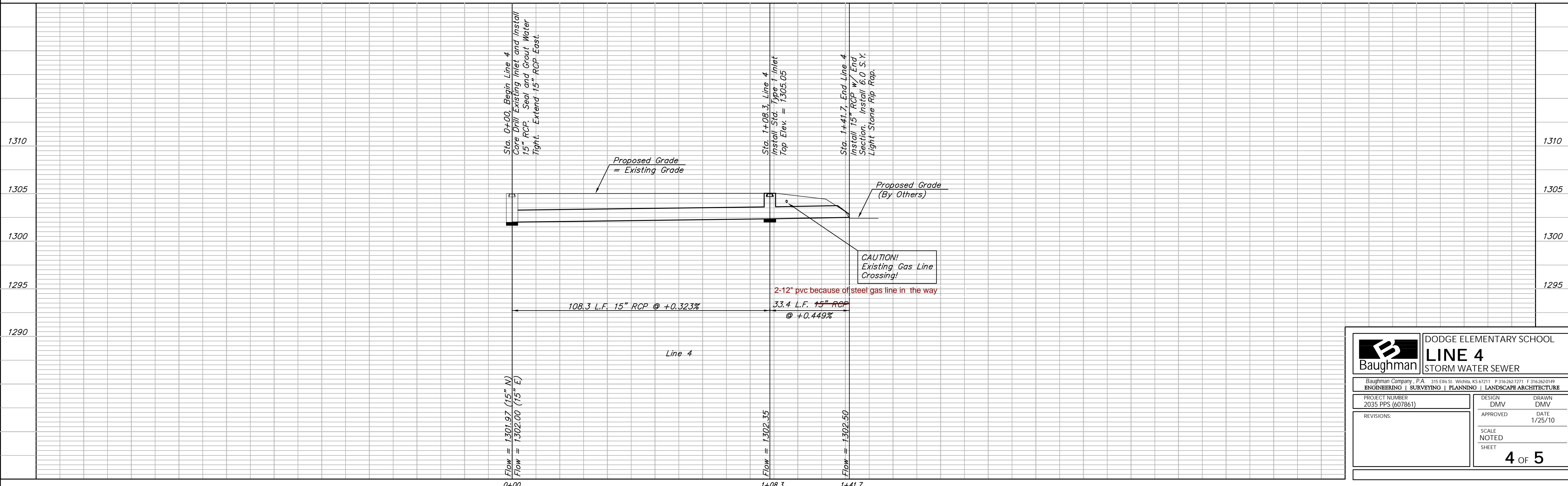
Contractor To Use Extreme Caution When Excavating Near Utility Lines. Contractor To Hand Dig To Expose All Utility Lines Prior To Construction. Verify Depth To Determine Conflict If Any.

Sta. 0+00, Begin Line 4
Core Drill Existing Inlet and Install 15" RCP. Seal and Grout Water Tight. Extend 15" RCP East.

City ok'd no end section on 2-12" pvc
Sta. 1+41.7, End Line 4
Install 15" RCP w/ End Section. Install 6.0 S.Y. Light Stone Rip Rap.

Sta. 1+08.3, Line 4
Install Std. Type 1 Inlet
Top Elev. = 1305.05

CAUTION!
Existing Gas Line Crossing!



		DODGE ELEMENTARY SCHOOL LINE 4 STORM WATER SEWER	
		ENGINEERING SURVEYING PLANNING LANDSCAPE ARCHITECTURE	
PROJECT NUMBER 2035 PPS (607861)	DESIGN DMV	DRAWN DMV	DATE 1/25/10
REVISIONS:	APPROVED	SCALE NOTED	SHEET 4 OF 5