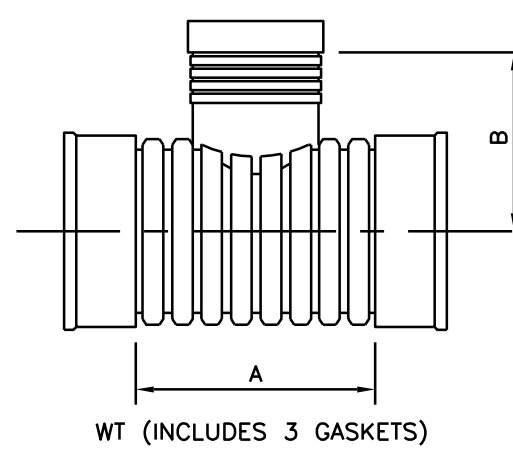


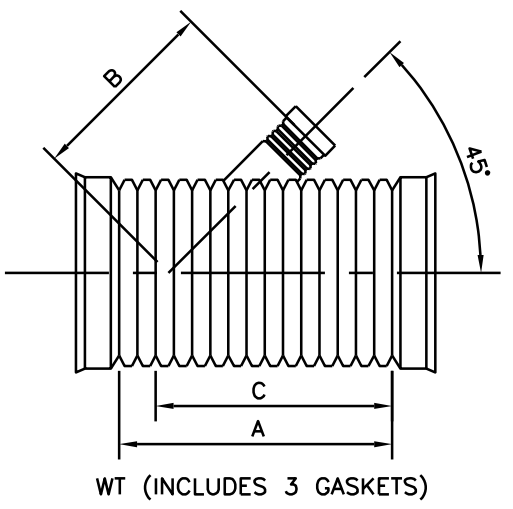
ADS PART #	PIPE SIZE	A	B	JOINT
1262AN65B	12"x8"	17.3"	15.1"	WT
1562AN65B	15"x8"	20.7"	16.9"	WT
2466AN65B	24"x12"	28.4"	19.3"	WT

REDUCING TEE



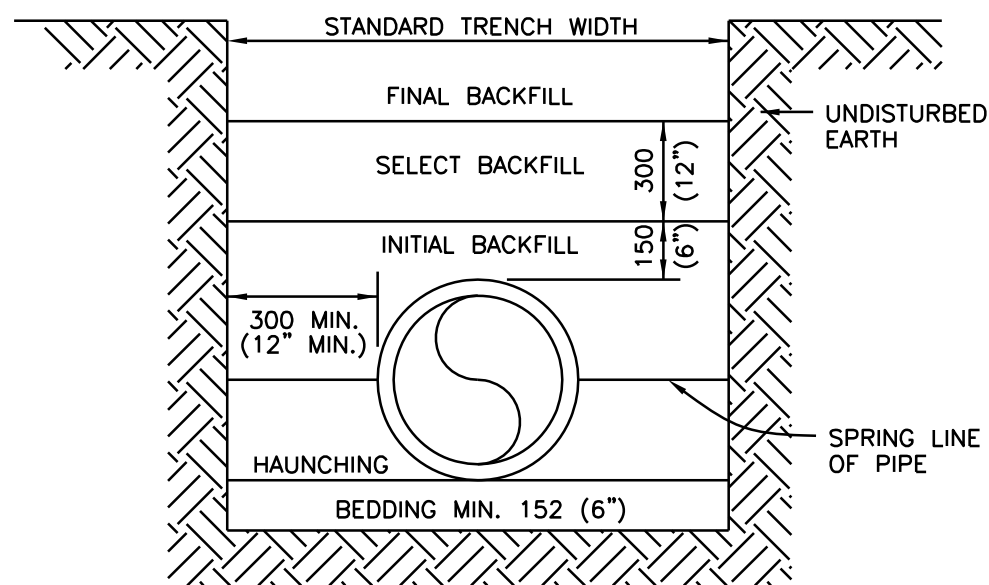
ADS PART #	PIPE SIZE	A	B	C	JOINT
1582AN65B	15"x8"	28.9"	24.5"	23.0"	WT
1282AN65B	12"x8"	28.5"	28.6"	23.0"	WT
0881AN65B	8"x6"	23.0"	17.3"	15.9"	WT

REDUCING WYE



NOTE: PLAIN END/SILT TIGHT/SOIL TIGHT FITTING ARE NOT ALLOWED.

DUAL WALL FABRICATED REDUCING FITTINGS
NTS

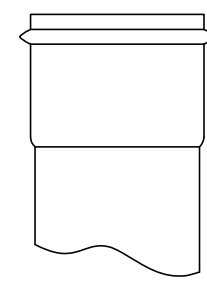


BACKFILL DESCRIPTION	NON-PAVED AREAS				PAVED AREAS (See Note 9)			
	CORRUGATED		CONCRETE	HDPE	CORRUGATED		CONCRETE	HDPE
	ALUMINUM	STEEL			ALUMINUM	STEEL		
FINAL BACKFILL	EXCAVATED MATERIAL	EXCAVATED MATERIAL	EXCAVATED MATERIAL	EXCAV. MAT.	SBM	SBM	SBM	SBM
SELECT BACKFILL	EXCAVATED MATERIAL	EXCAVATED MATERIAL	EXCAVATED MATERIAL	EXCAV. MAT.	SBM	SBM	SBM	SBM
INITIAL BACKFILL	SAND	SAND	SELECT FILL	SAND	SBM	SBM	SBM	SBM
HAUNCHING	SBM	SBM	SELECT FILL	SBM	SBM	SBM	SBM	SBM
BEDDING	SEE NOTE 5				SEE NOTE 5			

- NOTES:
- INSTALLATION AND BACK FILLING SHALL MEET MANUFACTURERS RECOMMENDATIONS.
 - SELECT FILL CONSISTS OF EXCAVATED MATERIALS CONTAINING NO MATERIAL LARGER THAN 50 MM (2") DIAMETER.
 - STANDARD BEDDING MATERIAL (SBM) SHALL CONFORM TO KDOT TYPE AB-3 AGGREGATE BASE OR FLOWABLE FILL OR APPROVED EQUAL.
 - COMPACTION REQUIREMENTS:
95% MAXIMUM STANDARD PROCTOR DENSITY.
 - IF TRENCH IS DRY BEDDING SHALL BE 152 MM (6") SAND OR TYPE AB-3 AGGREGATE BASE, AND IF WET SHALL BE NO. 57 OR NO. 67 ROCK PER ASTM D448.
 - NO WATER JETTING ALLOWED.
 - IN SANDY NON-PAVED AREAS, SAND CAN BE USED FOR ALL BACKFILL.
 - FOR CONCRETE PIPE IN NON-PAVED AREAS, SAND CAN BE USED FOR ALL BACKFILL IF THE CONCRETE PIPE USES RUBBER O-RING JOINTS.
 - THE BACKFILL MATERIAL SHALL EXTEND A MINIMUM OF 2- FEET BEHIND THE BACK OF CURB, OR THE EDGE OF PAVEMENT WHERE NO CURB EXISTS.
 - ADDITIONAL BEDDING MAY BE REQUIRED FOR SOFT SOIL AND SHALLOW GROUNDWATER CONDITIONS.

(METRIC UNITS ARE IN MM WITH ENGLISH UNITS IN PARENTHESIS, UNLESS INDICATED OTHERWISE.)

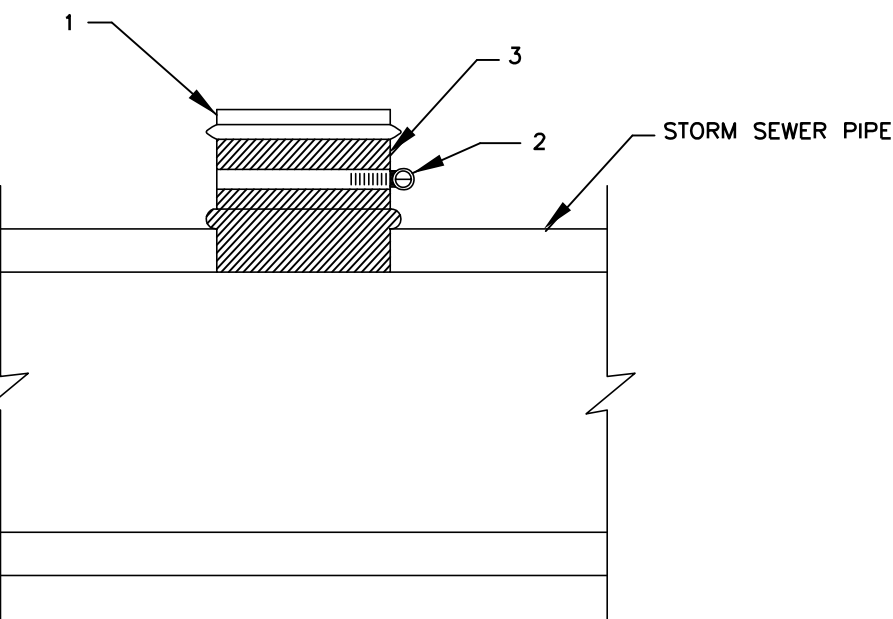
STORM SEWER PIPE TRENCHING AND BEDDING



1. PVC HUB SHALL CONFORM TO ASTM 3034, SDR 35 DRIVE INTO CENTER OF RUBBER SLEEVE AFTER SLEEVE IS PLACED IN HOLE.

2. STAINLESS STEEL BAND SECURES UPPER HALF OF RUBBER SLEEVE TO THE PVC HUB. STAINLESS STEEL BAND SHALL BE 300 SERIES, 3/16" BAND WIDTH, CADMIUM PLATED CARBON STEEL, AND ATTACHED WITH HEX HEAD SLOTTED SCREW.

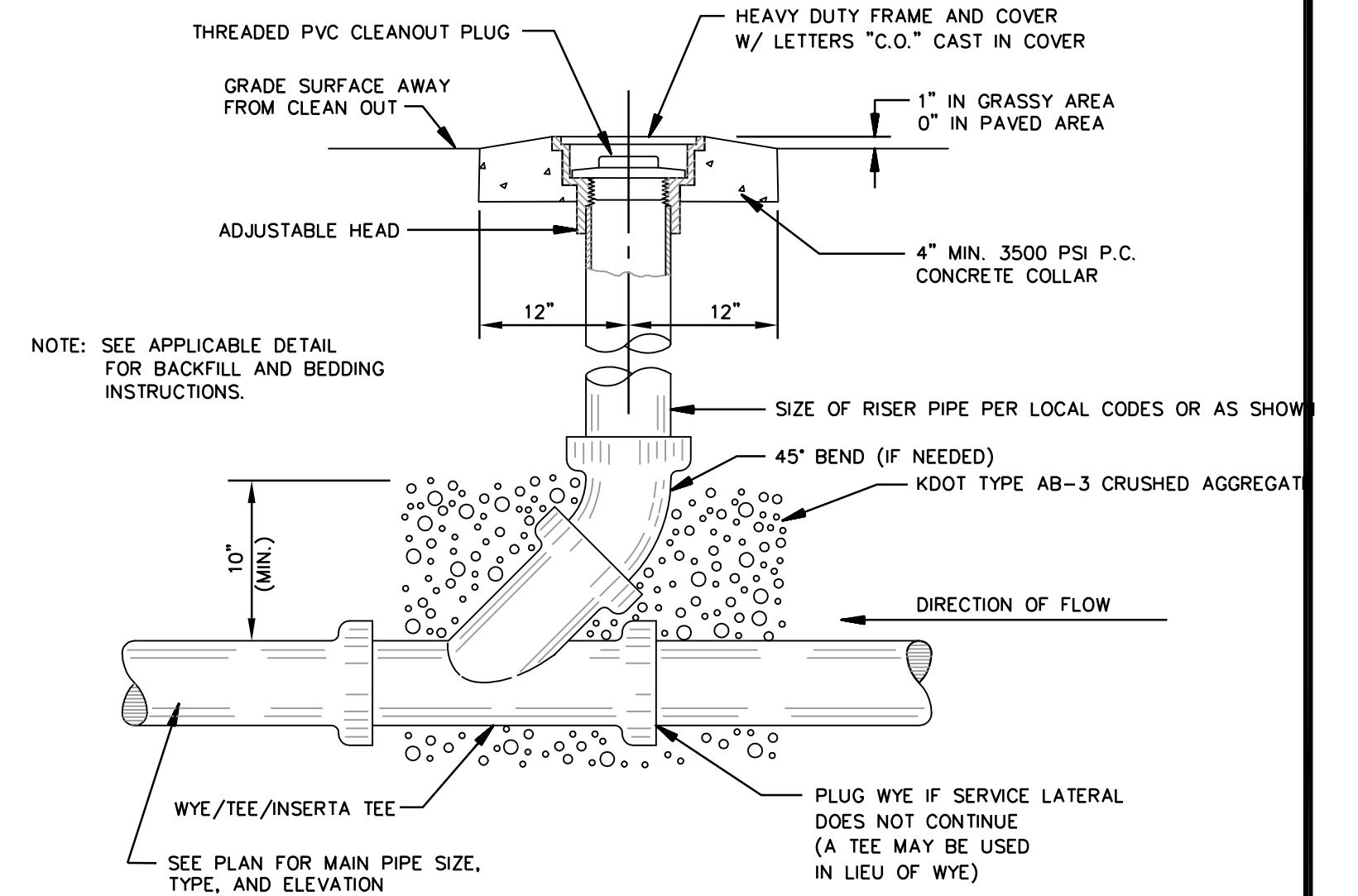
3. COMPLETE RUBBER SLEEVE INCLUDES A MOLDED SEGMENT THAT HOLDS IT IN PLACE.



- ALL INSERTA-TEE HOLES SHALL BE MACHINE DRILLED AND CORED. INSERTA-TEE ARE ALLOWED IN NEWLY CONSTRUCTED STORM SEWER 12" AND LARGER INSIDE DIAMETER (I.D.).
- STORM SEWER MAIN SHALL BE TWO SIZES (NOMINAL I.D.) LARGER THAN THE INSERTA-TEE.
- HOST PIPE SHALL BE MINIMUM .35" WALL THICKNESS.

CPP JCT BOX (INSERTA-TEE) DETAIL

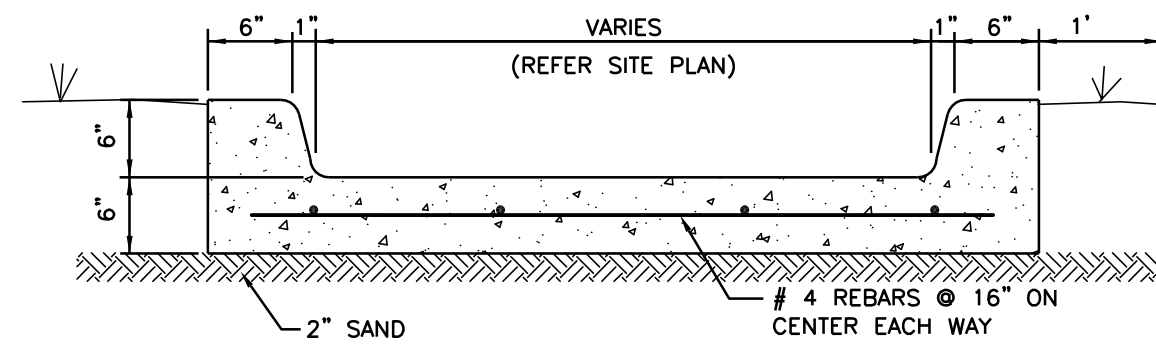
NTS



NOTE: SEE APPLICABLE DETAIL FOR BACKFILL AND BEDDING INSTRUCTIONS.

CLEAN-OUT DETAIL

NTS



SECTION A-A

- NOTE:
- PROVIDE CONTRACTION JOINTS @ 10' c/c.
 - CONCRETE SHALL BE AIR ENTRAINED CLASS 'A' PER KDOT SPECS.
 - ALL CONCRETE FLUMES SHALL BE CONSTRUCTED W/ CONTRACTION JOINTS @ 10' c/c AND CONSTRUCTION JOINTS @ 50' MAXIMUM. JOINTS SHALL BE SEALED PER CONCRETE JOINT DETAIL PROVIDED IN SITEWORK DETAILS.

CURB FLUME DETAILS

NTS

AS BUILTS
kemiller engineering
516 S. Market, Wichita, KS 67202 (316)264-0242

STORM SEWER DETAILS
WALMART MARKET #5991-00
31st STREET & S. SENECA WICHITA, KANSAS
SMC Consulting Engineers, P.C.
815 West Main - Oklahoma City, OK 73106
PH: 405-232-7715 Fax: 405-232-7859
KANSAS CERTIFICATE OF AUTHORIZATION NO. E-335 EXP. DEC. 2011

No.	Revision	By	Date
1	Per SMC review	MDS	03/01/11
2	Per SMC review	MDS	03/29/11
3	Per SMC review	MDS	04/12/11

DATE: 01/20/11 SCALE: NTS SHEET NO. C-9.9
DRAWN BY: MDS
PROJECT NO.: 4966.00
ENGINEER: TERENCE L. HAYNES, P.E. #14583

NOT VALID FOR CONSTRUCTION UNLESS SIGNED IN THIS BLOCK