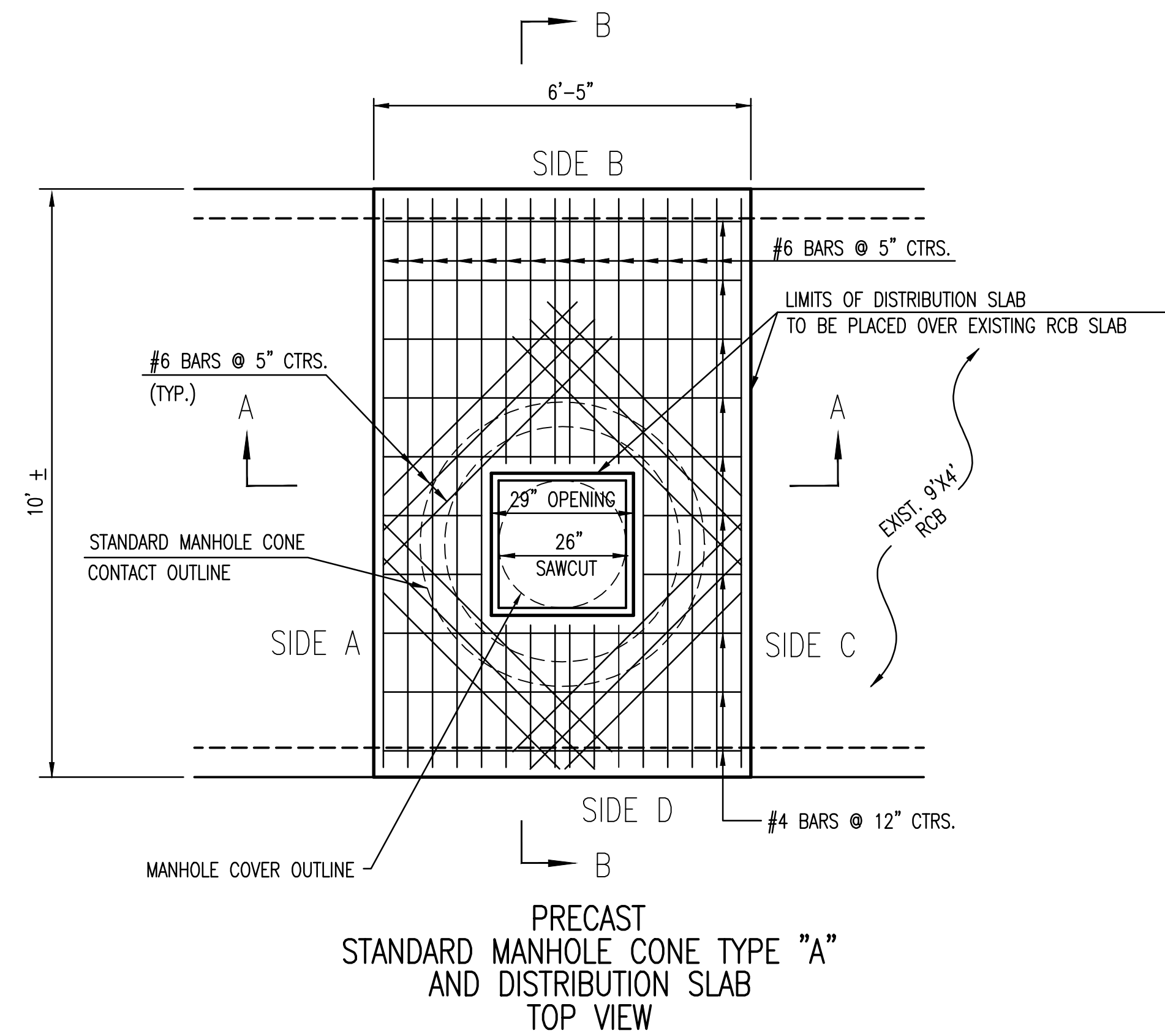
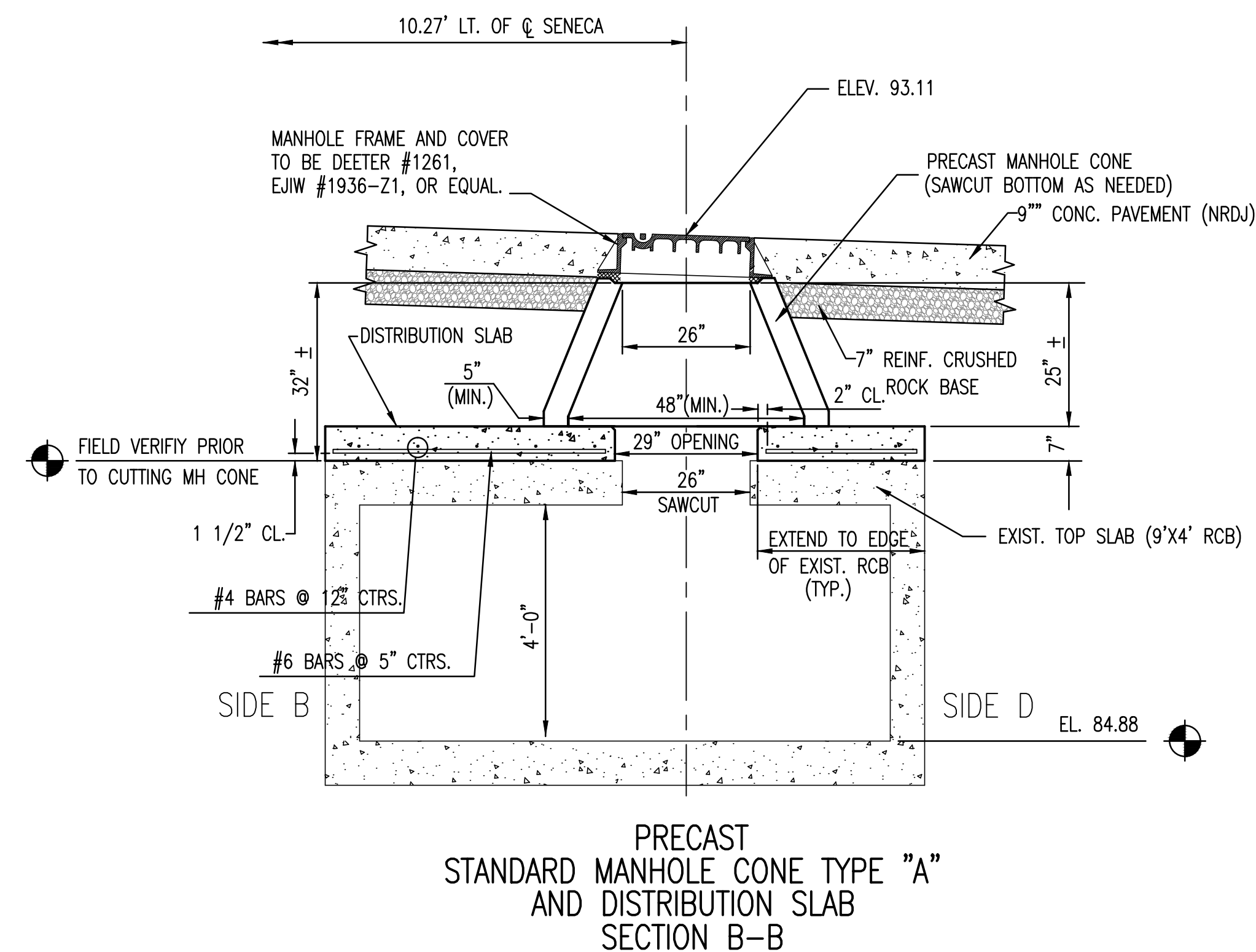
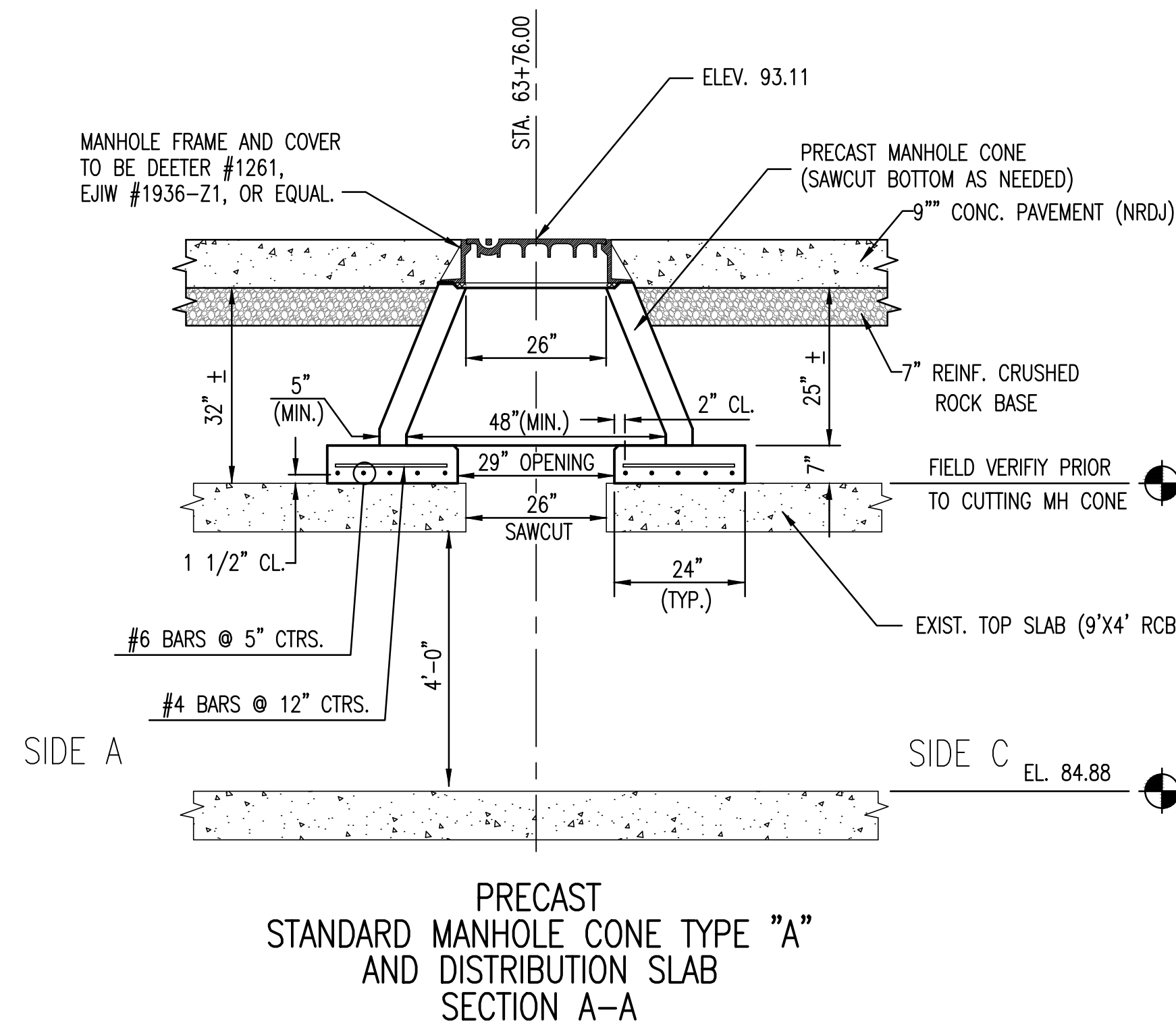


STATE	PROJECT NO.	YEAR	SHEET NO.	TOTAL SHEETS
KANSAS	87 N-0243-01	2005	45	169
Federal Aid No. STP N024(301)				



**GENERAL NOTES**

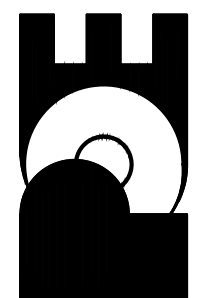
- COVER FRAME TO BE INSTALLED ON THIN MORTAR CUSHION TO INSURE FULL SUPPORT ALONG CONE.
- ALL MANHOLE CONSTRUCTION SHALL BE WATER TIGHT.
- ALL PRECAST CONCRETE MANHOLE SECTIONS SHALL CONFORM TO THE LATEST REVISION OF ASTM C-478 AS MODIFIED BY THE SPECIFICATIONS.
- CONCRETE USED FOR MANHOLE CONSTRUCTION SHALL CONFORM TO CITY OF WICHITA SPECIFICATIONS FOR CONCRETE PAVEMENT MIX.
- CONTRACTOR SHALL REMOVE LIFTING HOOKS AFTER INSTALLATION. RECESSES IN MANHOLE WALL SHALL BE GROUTED FLUSH TO THE MANHOLE WALL WITH HYDRAULIC CEMENT AFTER THE MANHOLE IS IN PLACE.
- MANHOLE FRAME AND COVER TO BE DEETER #1261, EJIW #1936-Z1, OR APPROVED EQUAL, SEE SW-303.
- REINFORCING STEEL SHALL BE GRADE 60.
- THE EXISTING RCB TOP SHALL BE THOROUGHLY CLEANED PRIOR TO PLACING DISTRIBUTION SLAB.
- BEVEL THE 29" CAST-IN-PLACE OPENING WITH A 3/4" TRIANGULAR MOLDING.
- CONTRACTOR TO FIELD VERIFY TOP OF EXISTING RCB PRIOR TO CUTTING PRECAST MANHOLE CONE.
- CONSTRUCT THE DISTRIBUTION SLAB OVER THE WIDTH OF THE EXTERIOR WALLS OF THE BARREL.



No.	Date	By	Approved	Revision

SENECA STREET  
1-235 TO 31ST STREET  
**CITY OF WICHITA, KANSAS**  
PRECAST MANHOLE CONE OVER EXISTING RCB

**POE & ASSOCIATES, INC.**  
CONSULTING ENGINEERS  
5940 E. Central, Suite 200 □ Wichita, KS  
67208-4242  
Phone 316/685-4114 □ FAX 316/685-4444



**WICHITA**

Engineer: P. FERGUSON  
Designer: J. UNRUH  
KDOT Job No.: 87 N-0243-01    Poe Job No.: 1794  
Date: JANUARY 2010