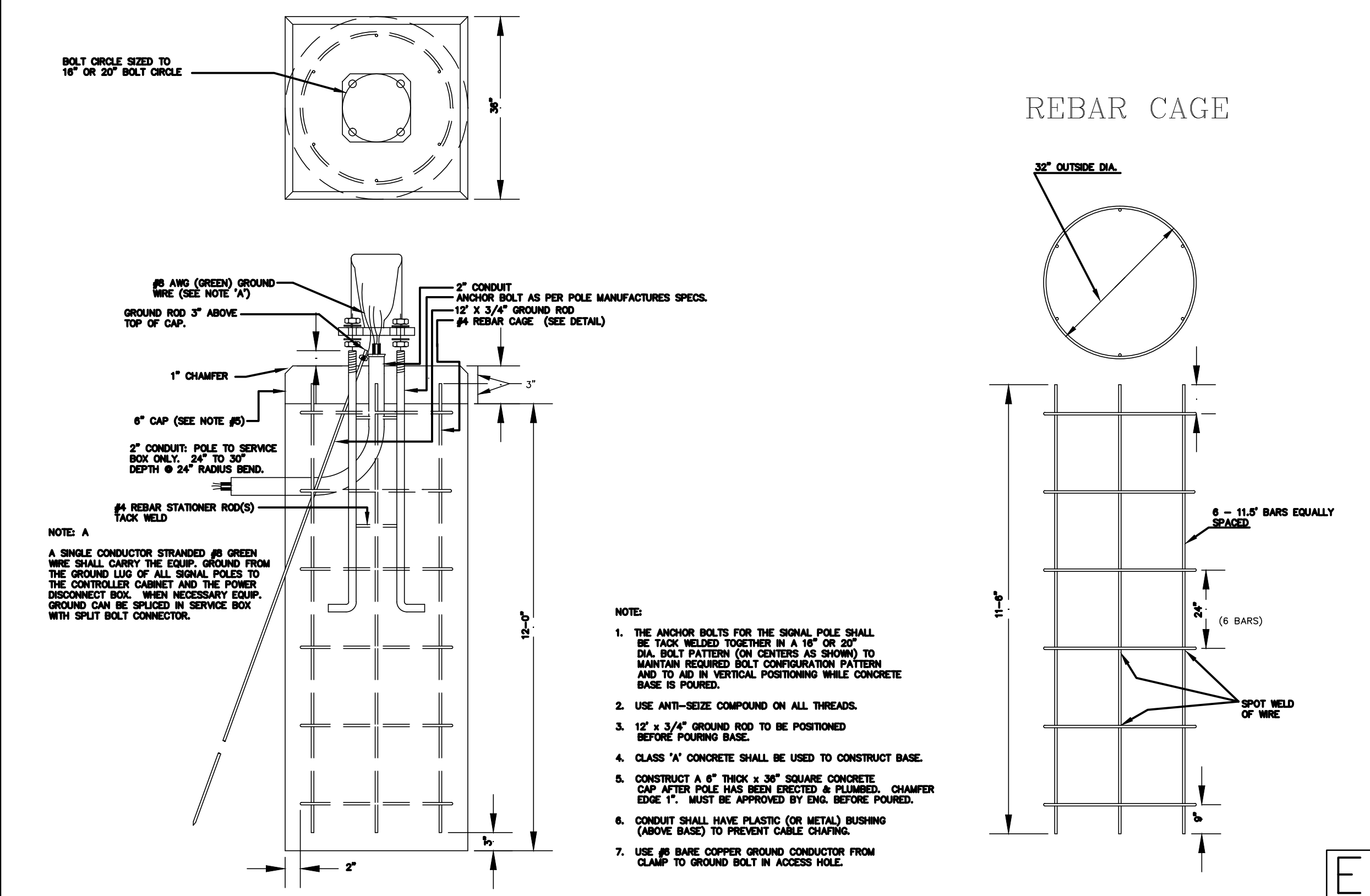
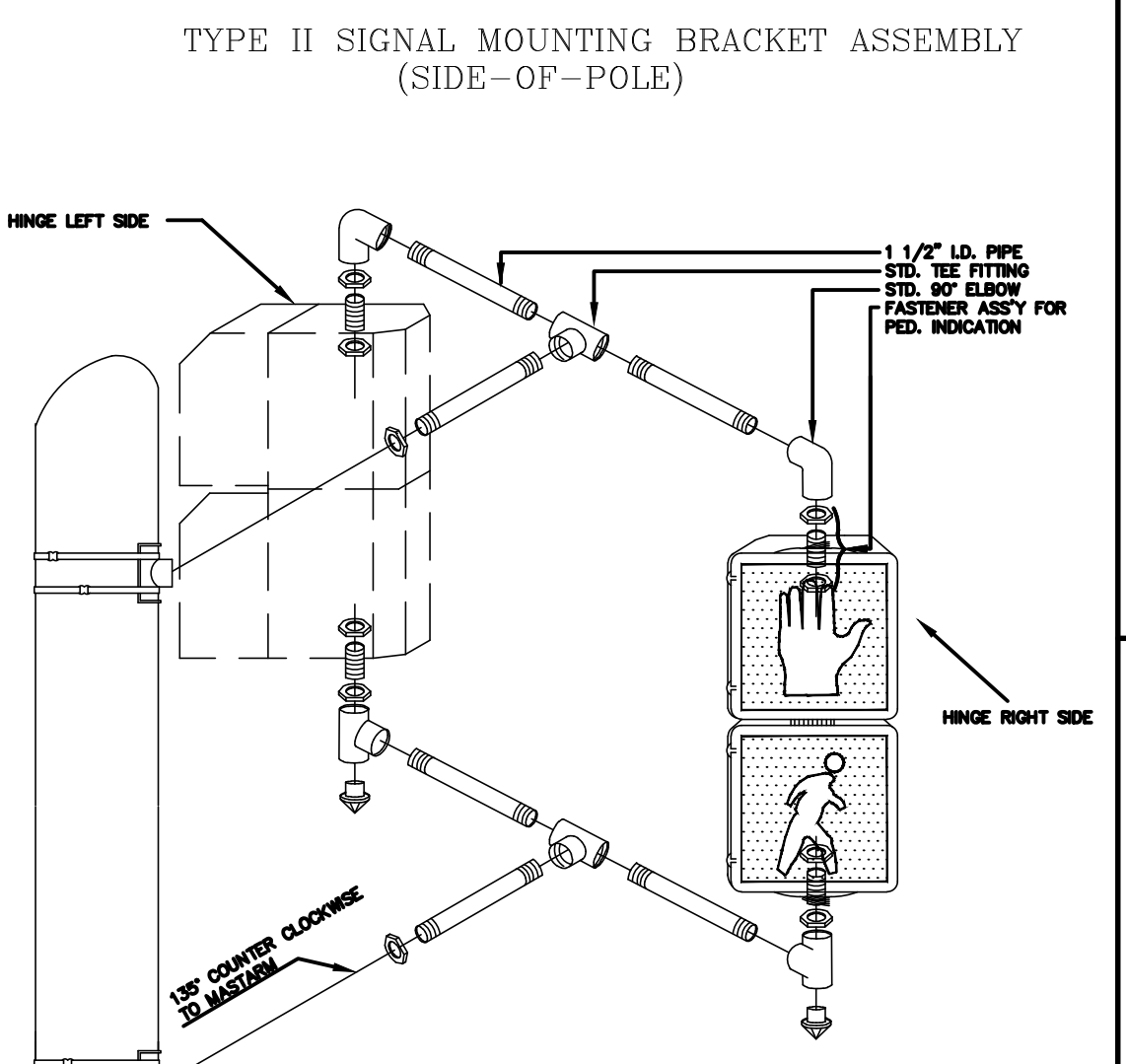
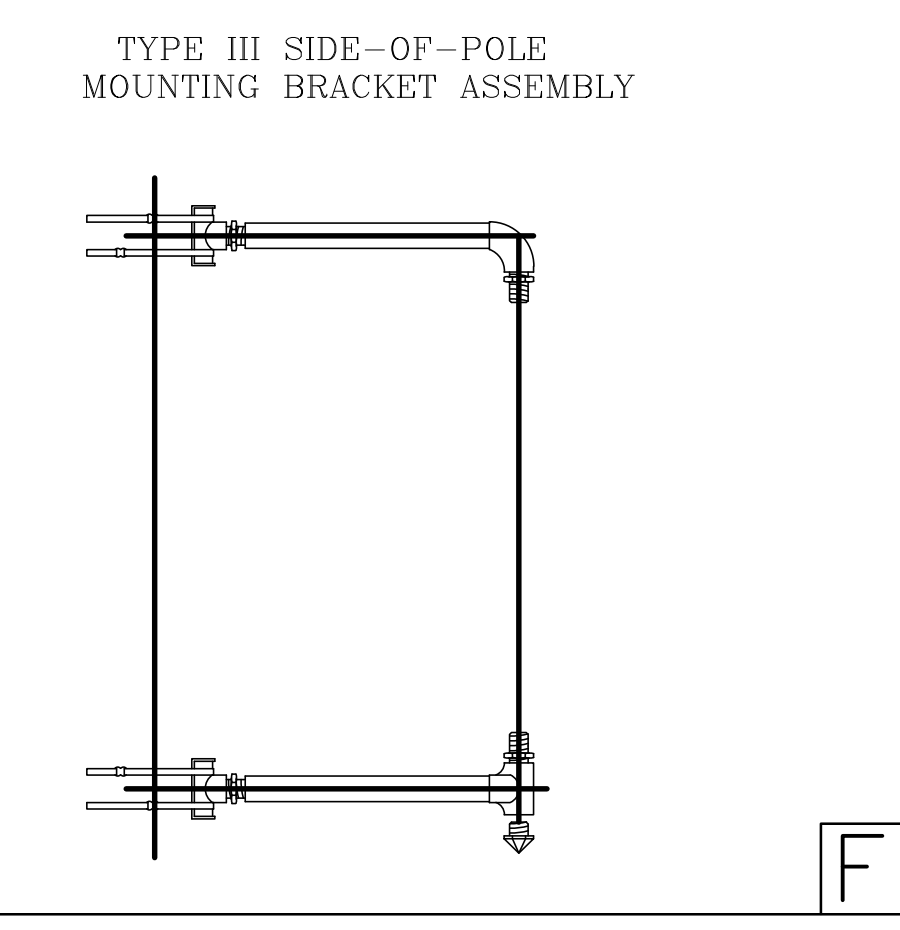
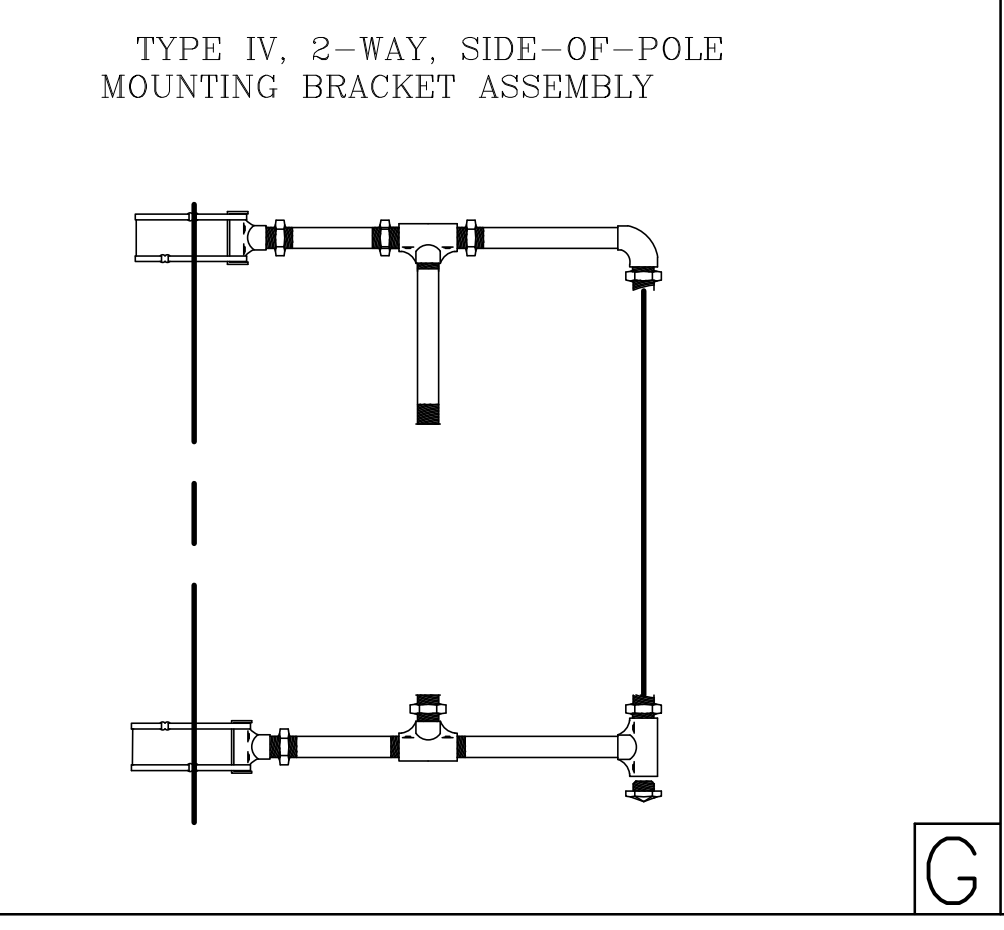
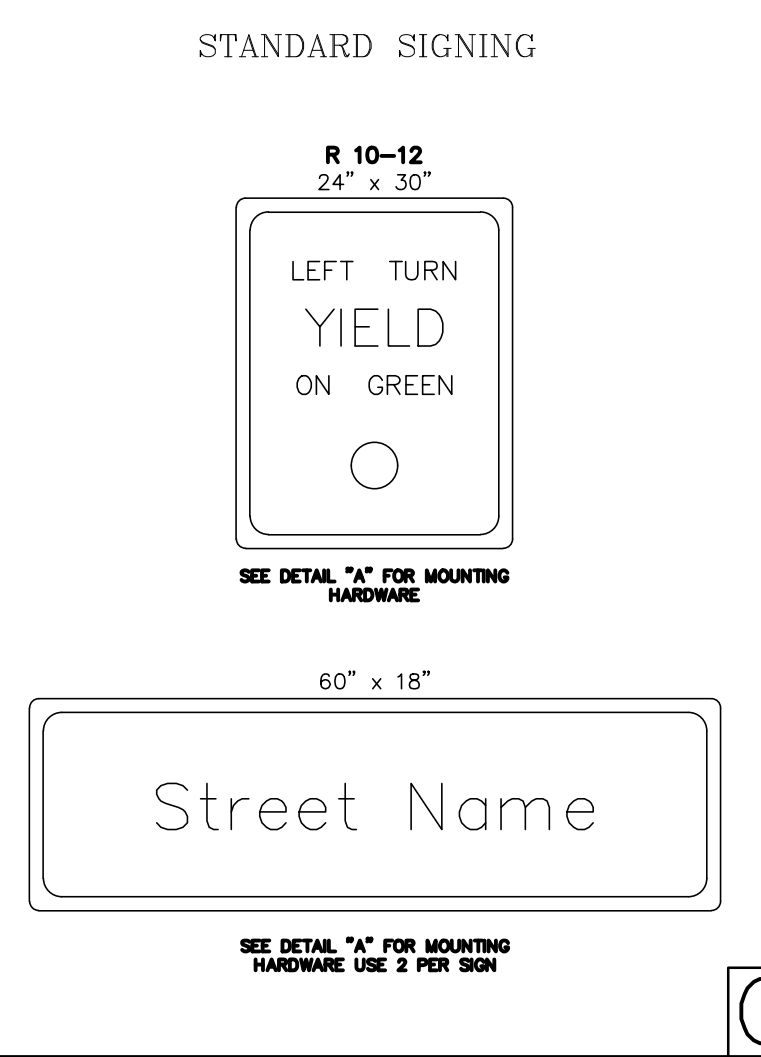
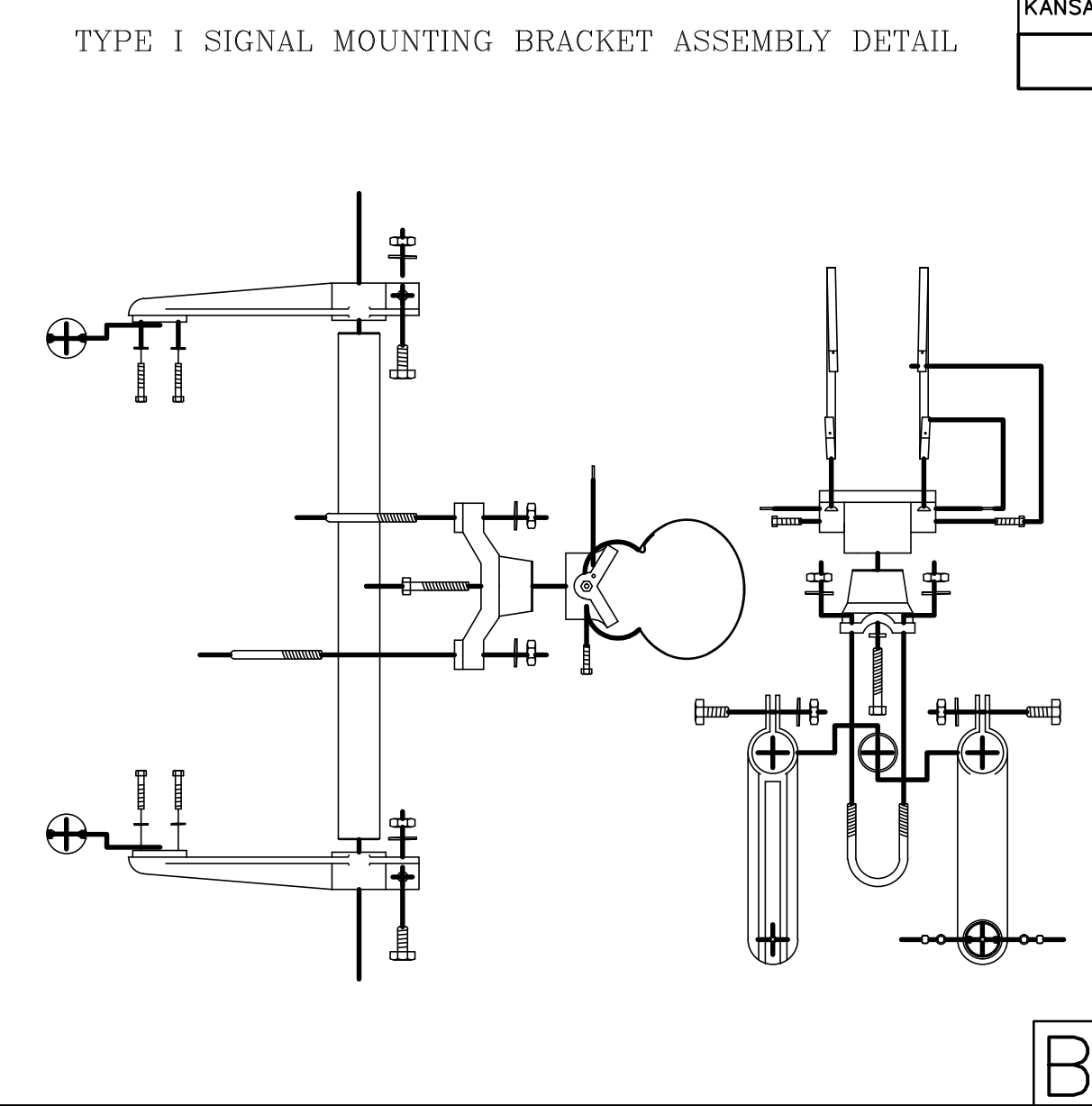
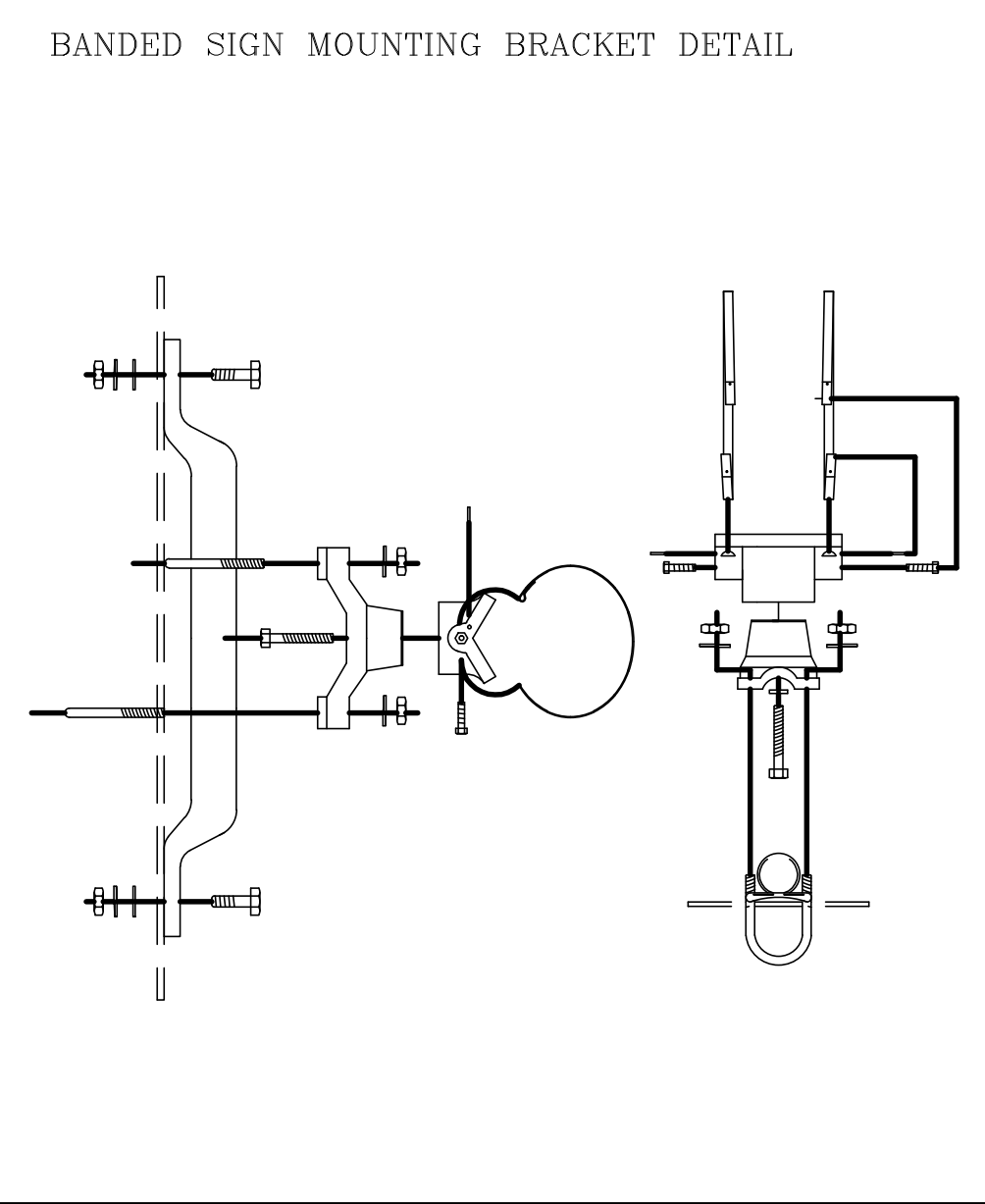
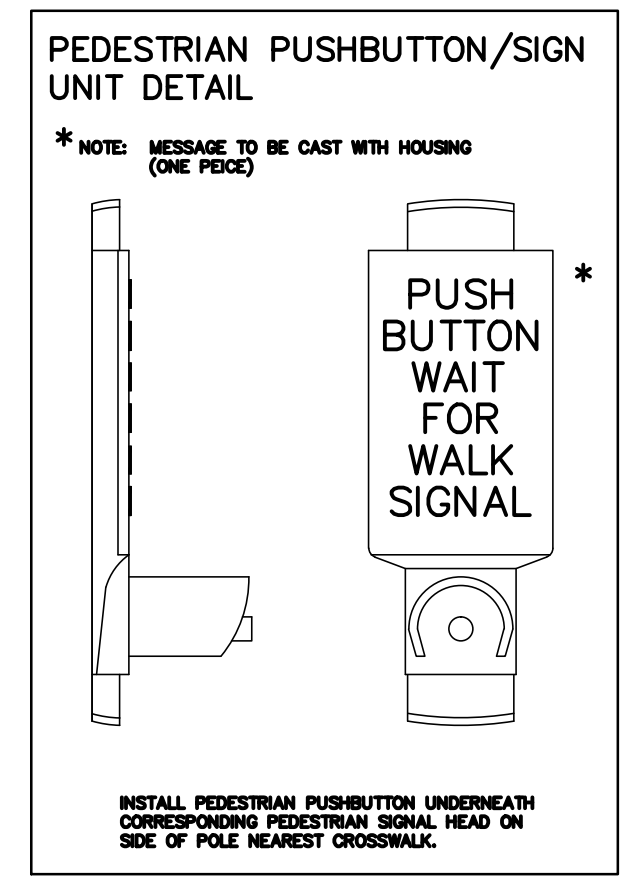
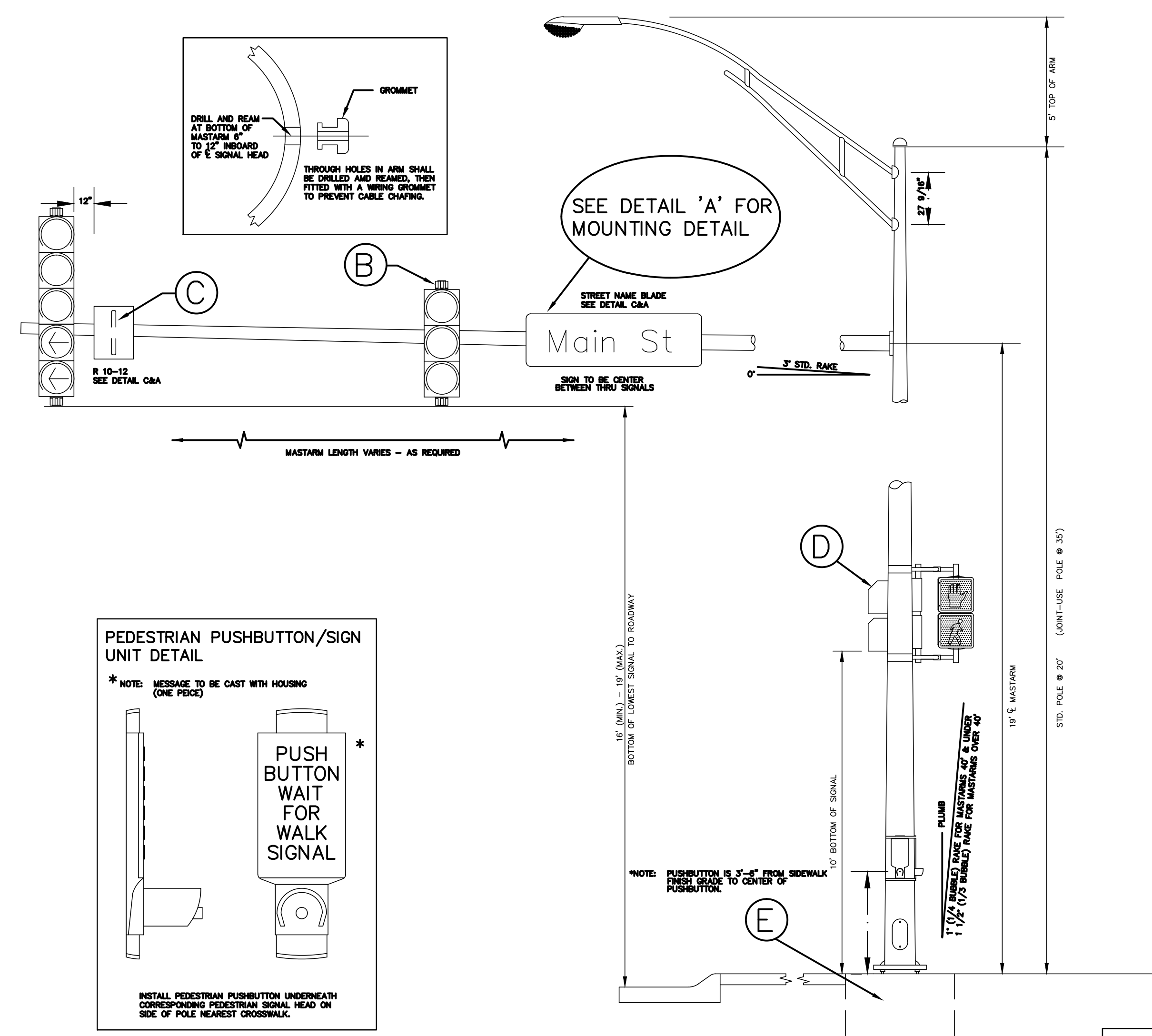


STATE	PROJECT NO.	YEAR	SHEET NO.	TOTAL SHEETS
KANSAS	87 N-0243-01	2005	89	169
Federal Aid No. STP N024(301)				



PROJECT DESCRIPTION			
STEEL SIGNAL POLE ASSEMBLY DETAILS			
PROJECT NUMBER			
DESIGNED BY: T.M.	APPROVED BY:	REVISED BY: LRB	
DATE: FEB. 98		DATE: MAR 2004	
CITY OF WICHITA DEPARTMENT OF PUBLIC WORKS			
ENGINEERING DIVISION PAUL GUNZELMAN, TRAFFIC ENGINEER		SCALE NO SCALE	

No.	Date	By	Approved	Revision

SENECA STREET
1-235 TO 31ST STREET
CITY OF WICHITA, KANSAS
STEEL SIGNAL POLE ASSEMBLY DETAILS

POE & ASSOCIATES, INC.
CONSULTING ENGINEERS
5940 E. Central, Suite 2000 Wichita, KS
67208-4242
Phone 316/685-4114 FAX 316/685-4444

PE

ENGINEER: P. FERGUSON
DESIGNER: J. UNRUH
KDOT Job No.: 87 N-0502-01
Date: JANUARY 2010

Sheet 89 of 169