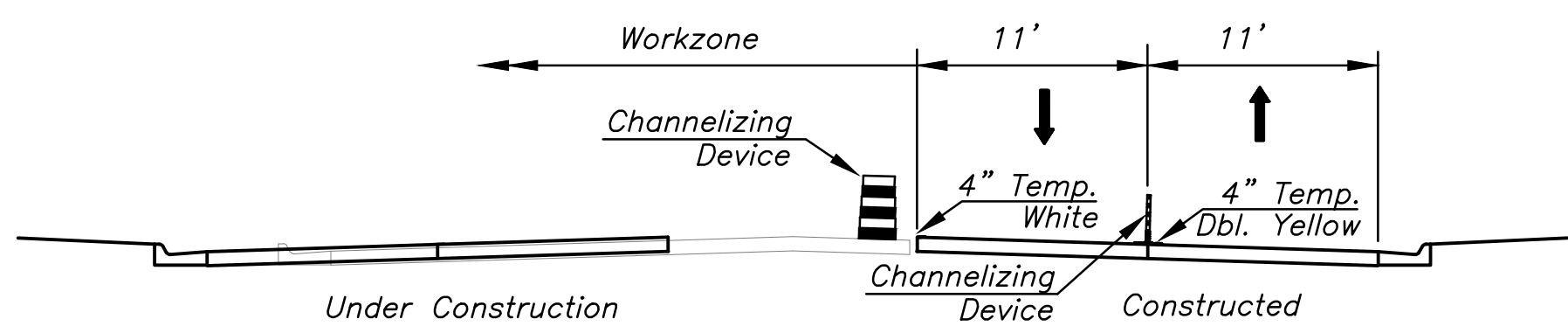
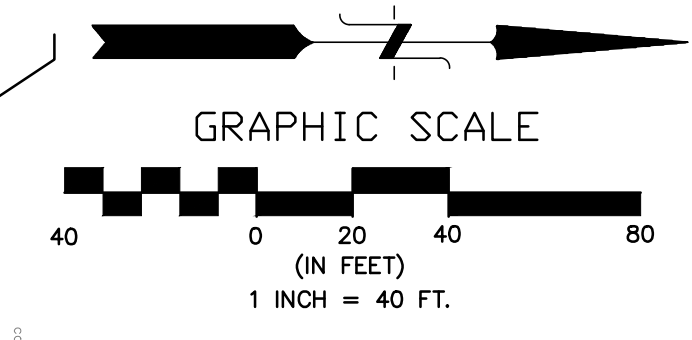
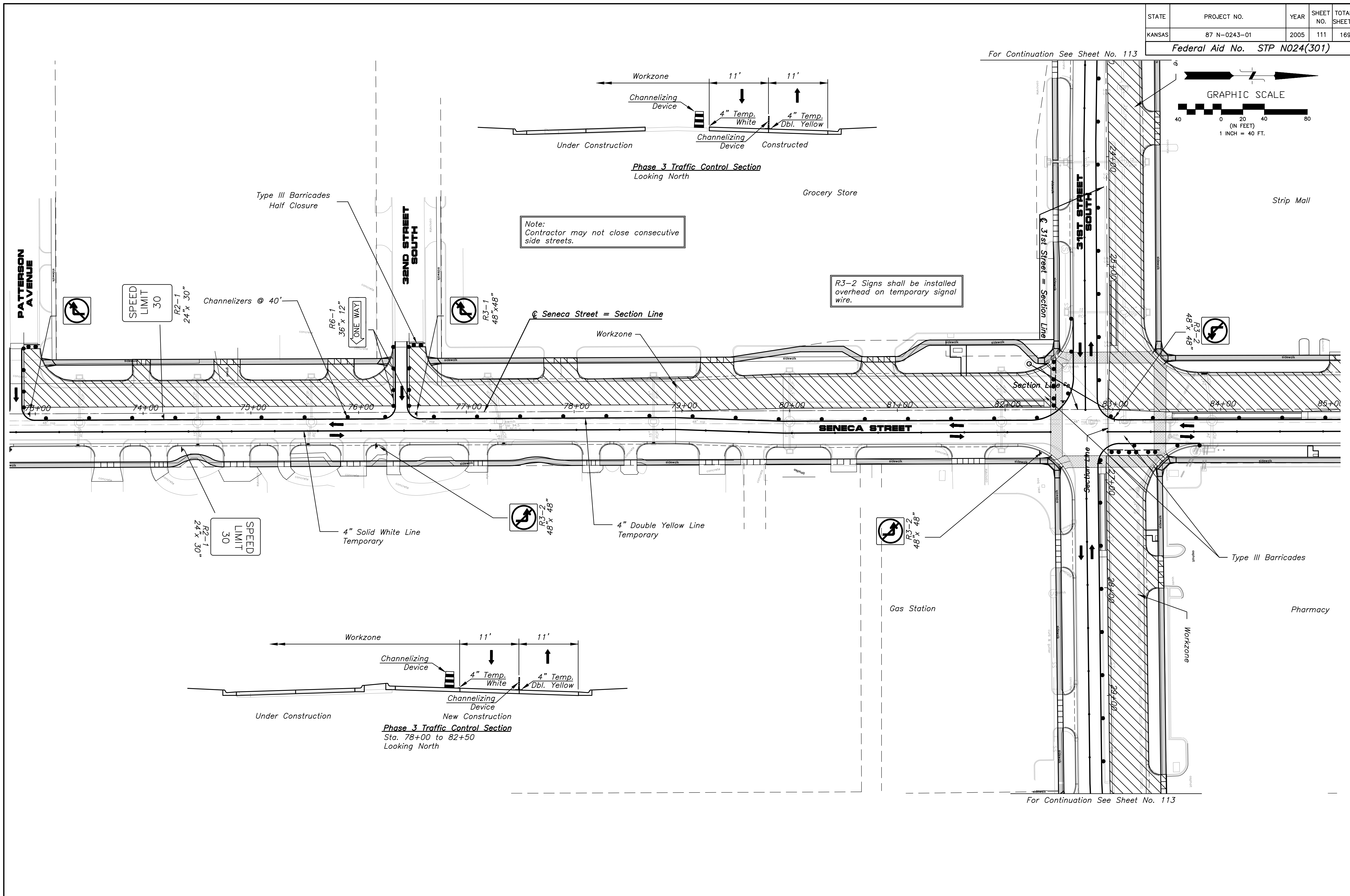


STATE	PROJECT NO.	YEAR	SHEET NO.	TOTAL SHEETS
KANSAS	87 N-0243-01	2005	111	169
Federal Aid No. STP N024(301)				

For Continuation See Sheet No. 113

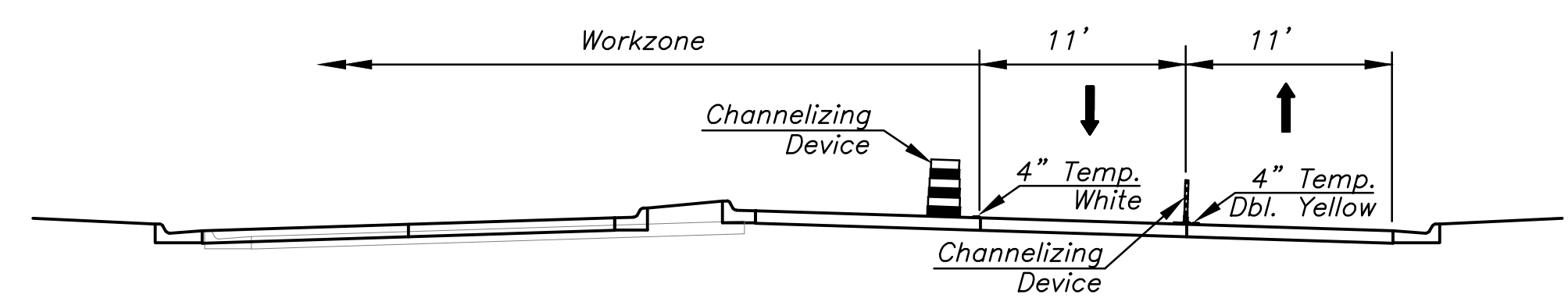


Phase 3 Traffic Control Section
Looking North



Note:
Contractor may not close consecutive side streets.

R3-2 Signs shall be installed overhead on temporary signal wire.



Phase 3 Traffic Control Section
Sta. 78+00 to 82+50
Looking North

For Continuation See Sheet No. 113

Engineer:	P. FERGUSON
Designer:	J. UNRUH
KDOT Job No.:	87 N-0243-01
Date:	JANUARY 2010

Sheet 111 of 169

POE & ASSOCIATES, INC.
CONSULTING ENGINEERS
5940 E. Central, Suite 200
Wichita, KS 67208-4242
Phone 316.685-4114 FAX 316.685-4444

POE

SENeca STREET
1-235 TO 31ST STREET
CITY OF WICHITA, KANSAS
TRAFFIC CONTROL - PHASE 3