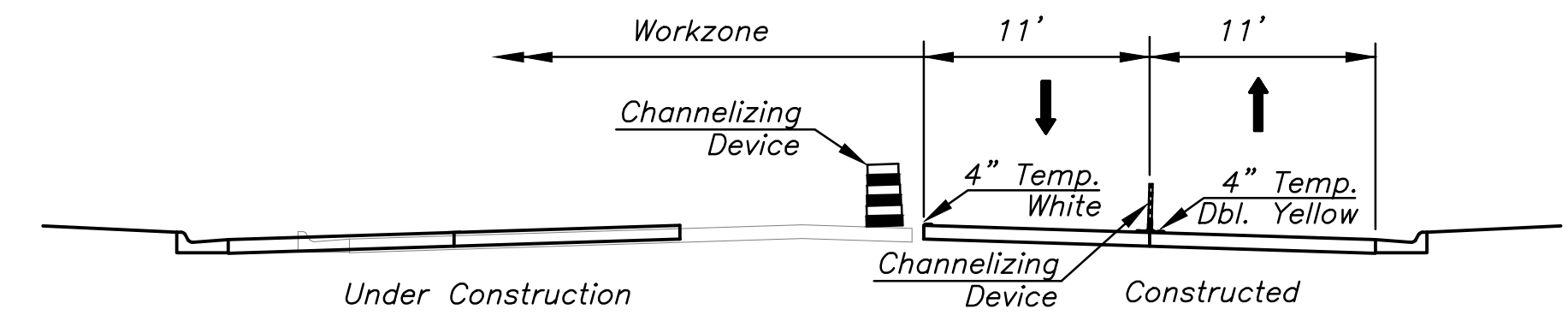
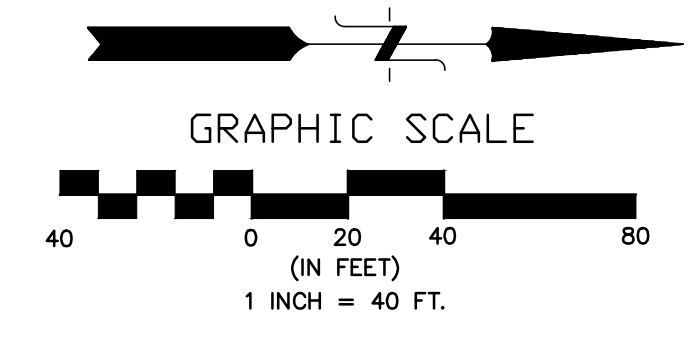
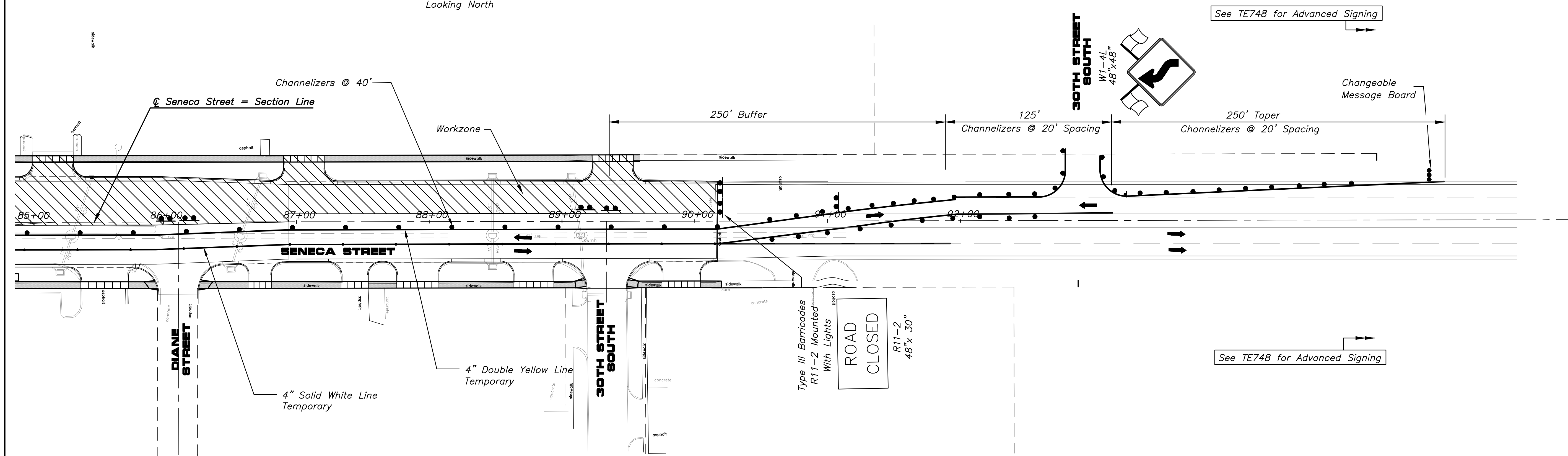


STATE	PROJECT NO.	YEAR	SHEET NO.	TOTAL SHEETS
KANSAS	87 N-0243-01	2005	112	169
Federal Aid No. STP N024(301)				

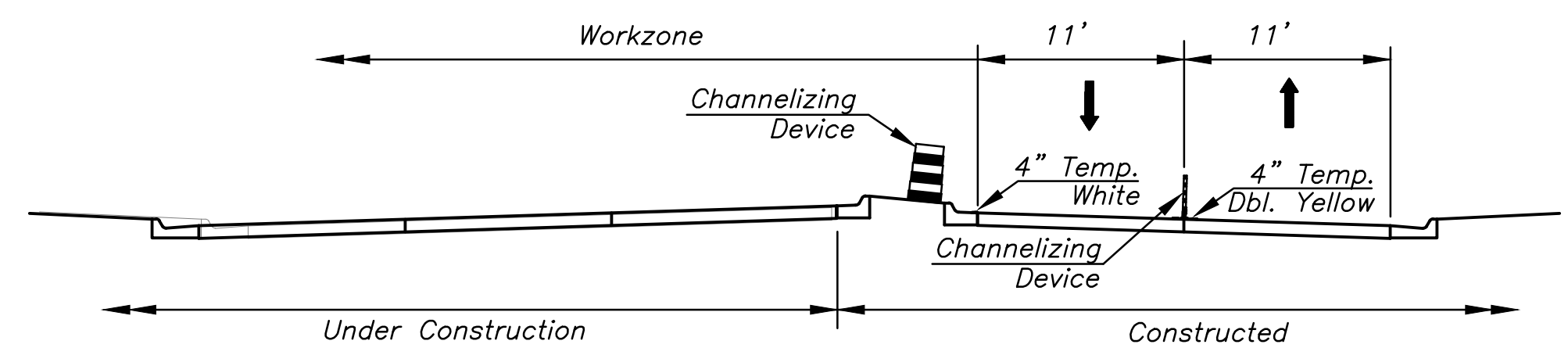


Phase 3 Traffic Control Section
Looking North



See TE748 for Advanced Signing

See TE748 for Advanced Signing



Phase 3 Traffic Control Section
Sta. 83+50 to 87+00
Looking North

No.	Date	By	Approved	Revision

SENECA STREET
 1-235 TO 31ST STREET
 CITY OF WICHITA, KANSAS
 TRAFFIC CONTROL - PHASE 3

POE & ASSOCIATES, INC.
 CONSULTING ENGINEERS
 5940 E. Central, Suite 200 | Wichita, KS
 67208-4242
 Phone 316/685-4114 | FAX 316/685-4444

FINAL
 Engineer: P. FERGUSON
 Designer: J. UNRUH
 KDOT Job No.: 87 N-0243-01 Poe Job No.: 1794
 Date: JANUARY 2010

Sheet 112 of 169