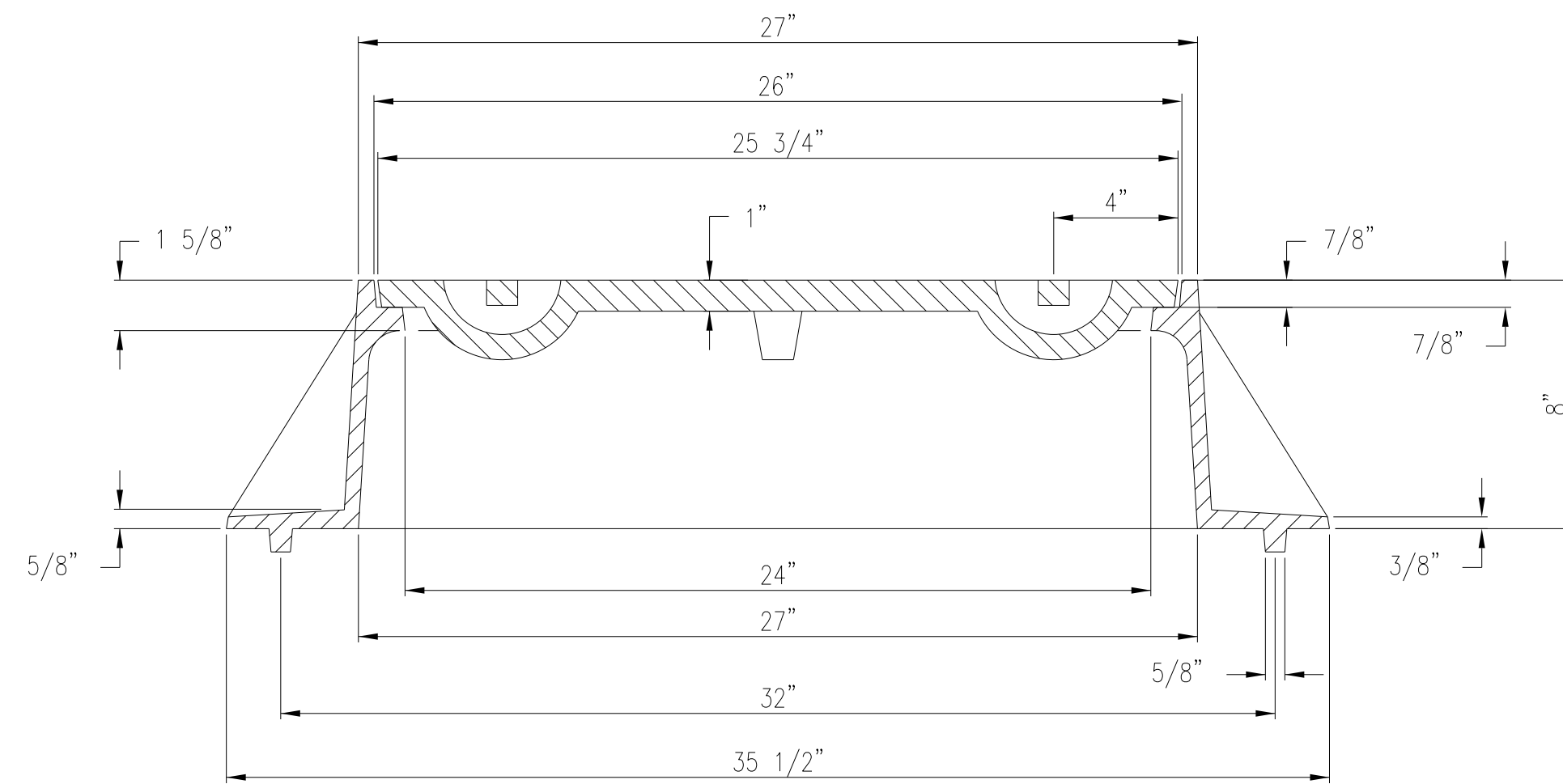
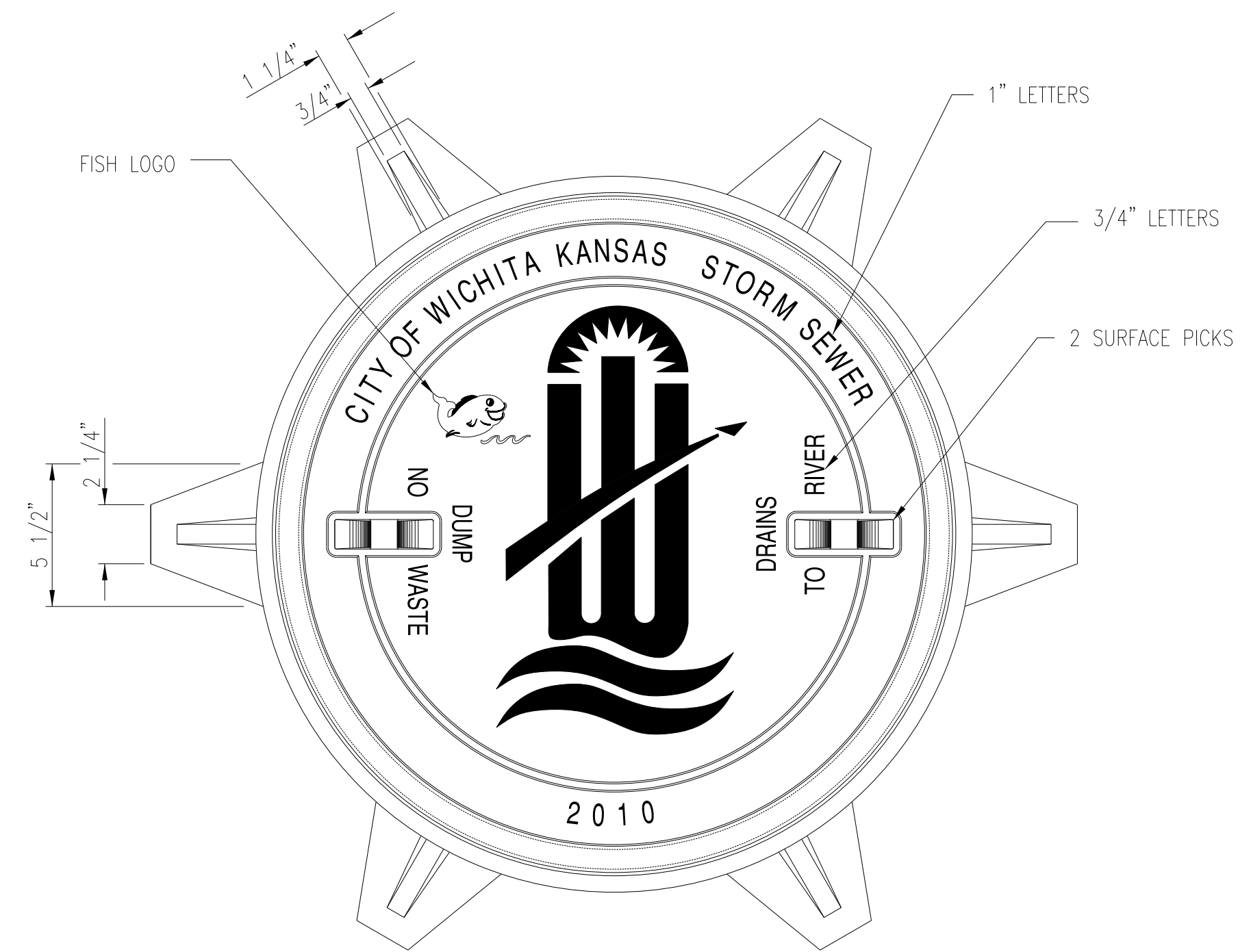
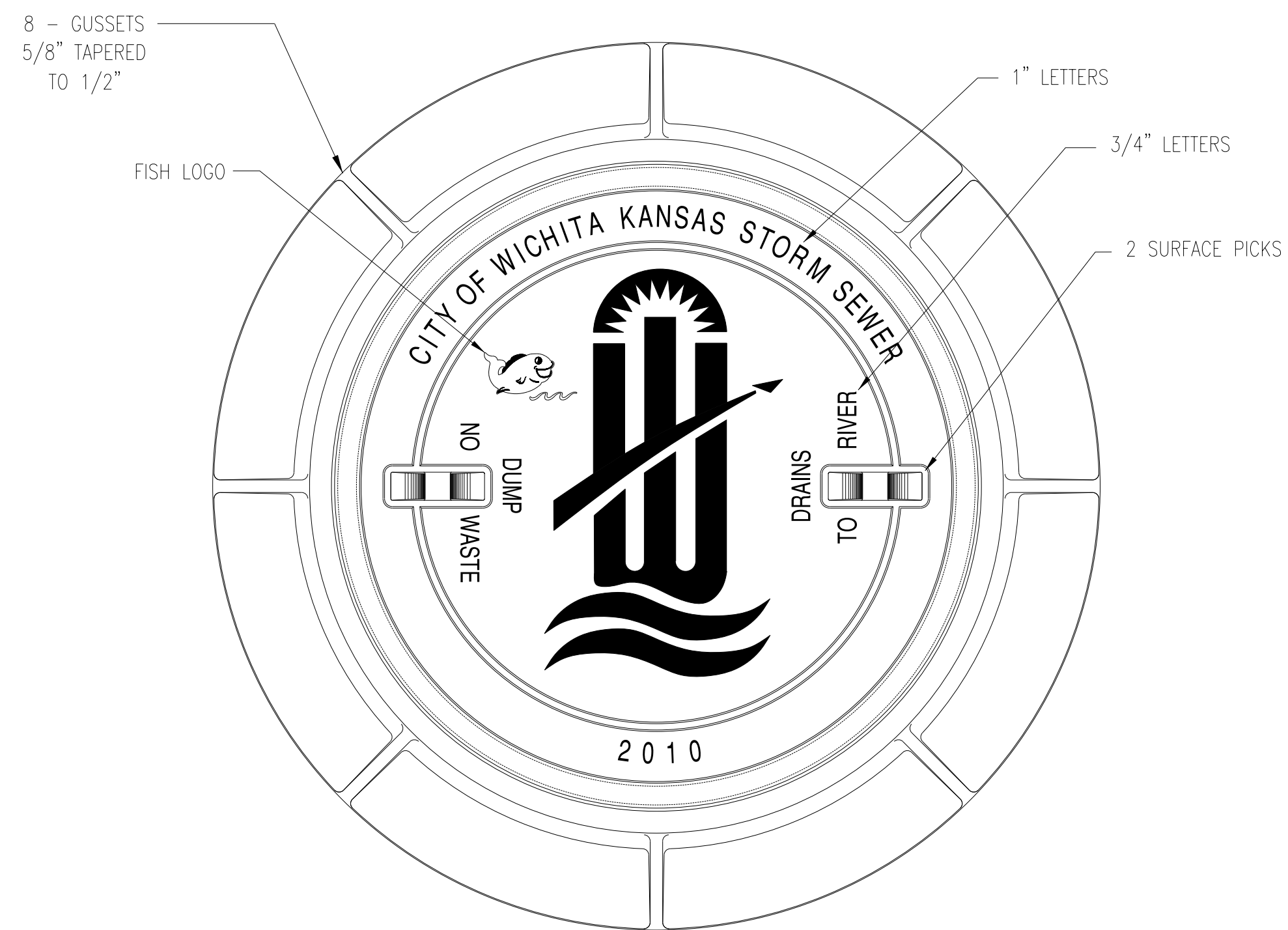
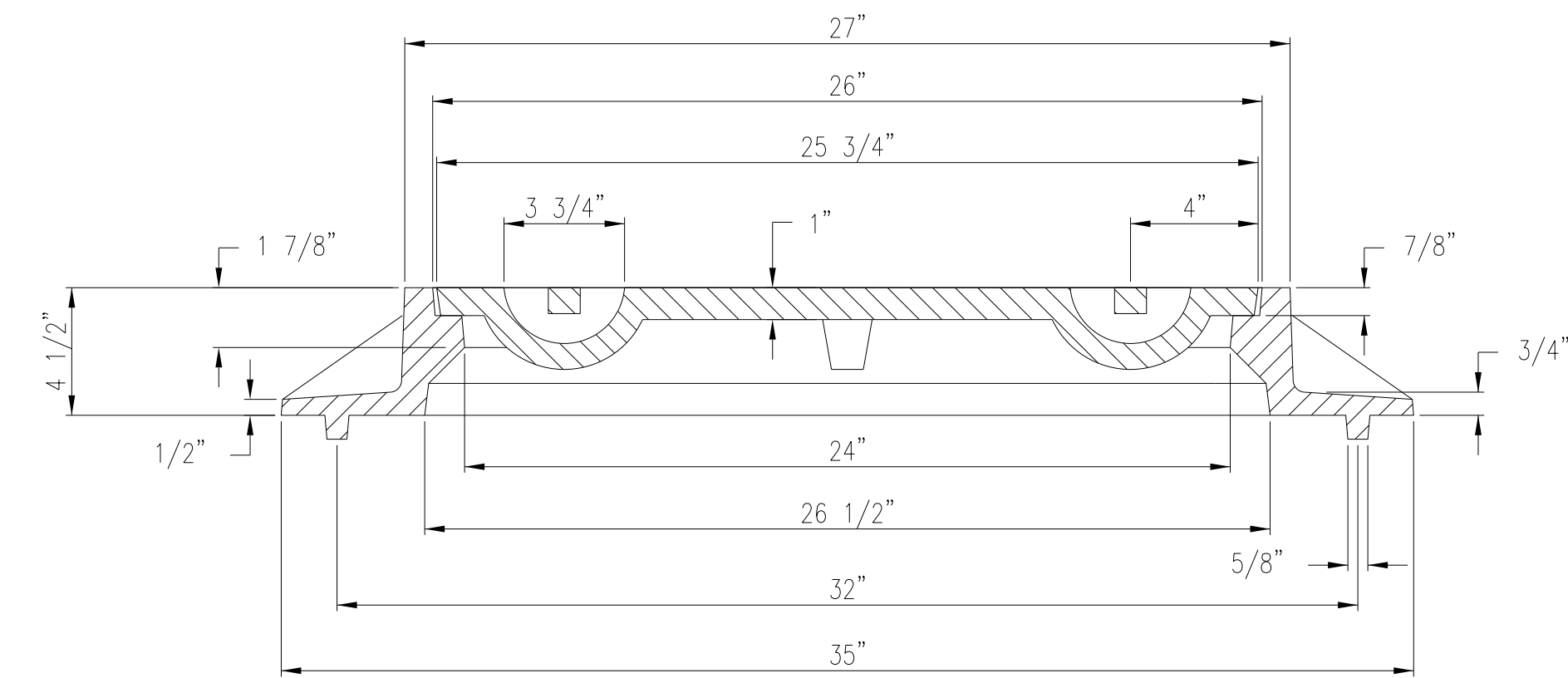


PROJECT NO.	YEAR	SHEET NO.	TOTAL SHEETS
472-84817 PHASE I	2011	40	113



MANHOLE FRAME
DEETER #1261 OR EJIW #1936-Z1

- NOTE:
1. FURNISHED WITH MACHINED HORIZONTAL BEARING SURFACE.
 2. COVER TO BE DEETER #1261 OR EJIW #1936A.



INLET FRAME
DEETER #2014 OR EJIW #1936-Z4

- NOTE:
1. FURNISHED WITH MACHINED HORIZONTAL BEARING SURFACES.
 2. NOT TO BE USED UNDER PAVEMENT.
 3. COVER TO BE DEETER #1261 OR EJIW #1936A.

Plotted on: Tuesday, September 27, 2011 09:40 AM
 Plot Queue: \\ovp\00\PL\BWLIP
 Plot Scale: 5.000000:0.000000 Pen Table: \\ovp\00\Jobs\4809\Common\Highway\Library\lib\pen\CC-22x35.pen
 Design Filename: \\ovp\00\Jobs\4809\Highway\CD\Detail\Wichita\Reg_MH-Inlet-Cover.dgn



MANHOLE/INLET FRAME AND COVER (STORM SEWER)		
CITY ENGINEER JAMES L. ARMOUR, P.E., L.S.		
PROJECT NUMBER 472-84817 PHASE I	OCA NUMBER 770005	DATE 11/2011
CITY ENGINEER'S OFFICE CITY HALL - SEVENTH FLOOR 455 NORTH MAIN STREET WICHITA, KANSAS 67202-1620 (316) 268-4501		DESIGN DRAWN SHEET 40 of 113

\\ovp\00\Jobs\4809\Highway\CD\Detail\Wichita\Reg_MH-Inlet-Cover.dgn