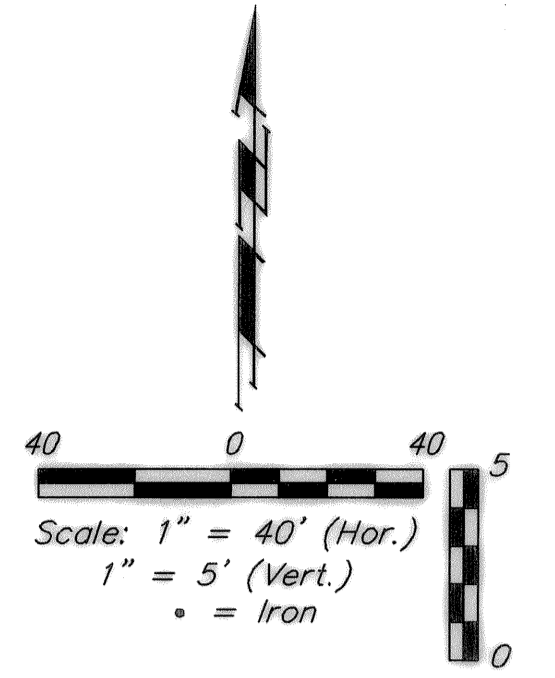
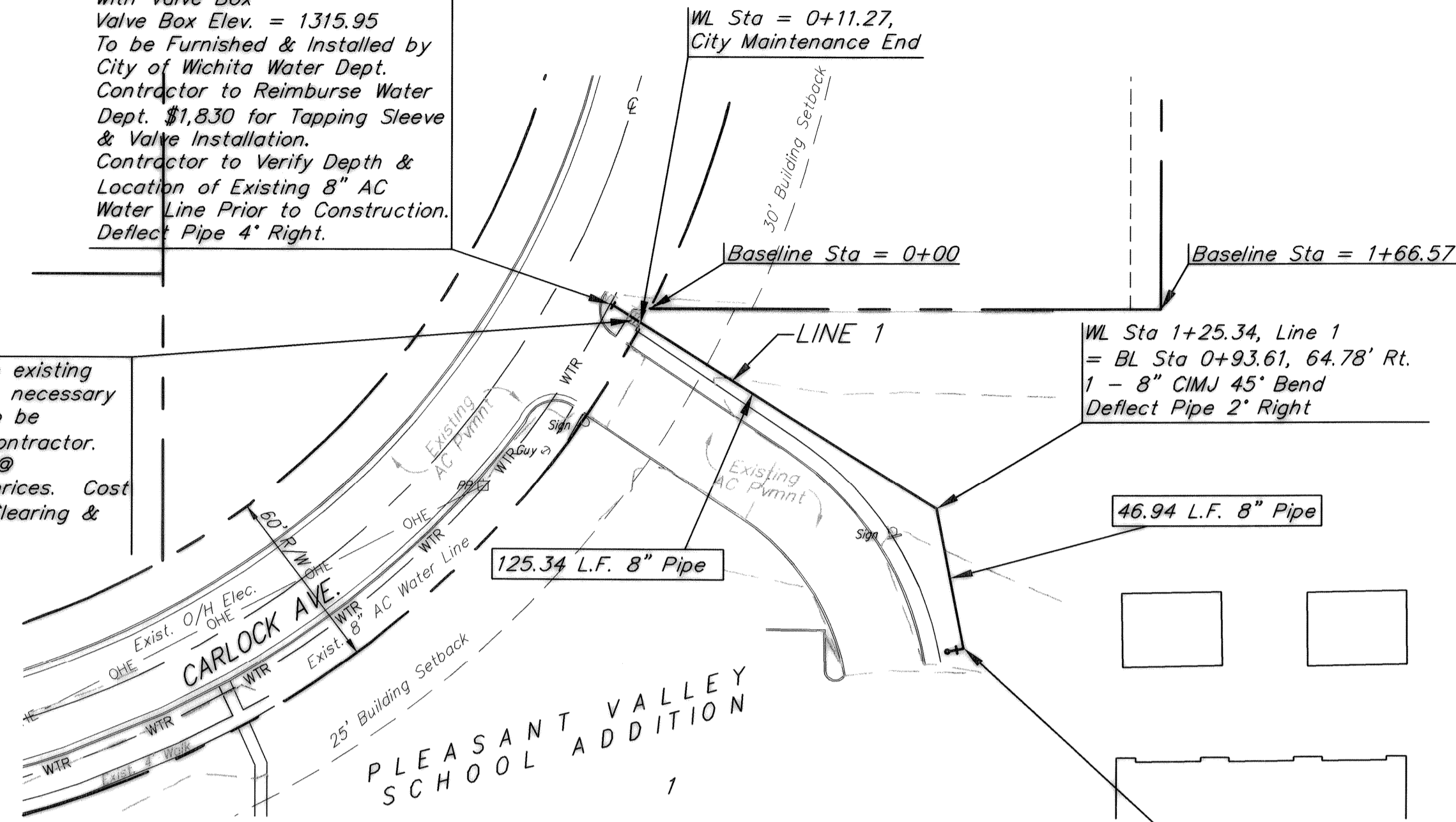


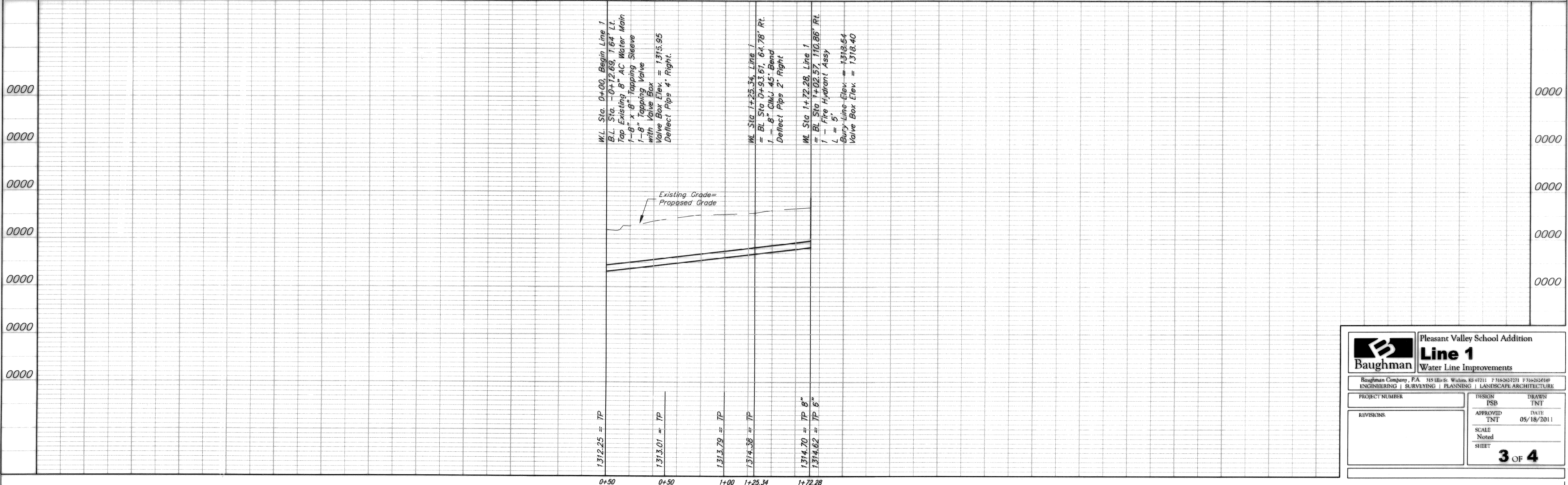
SITE BENCHMARK-1
 "X" cut in Concrete Sidewalk at Southwest
 Corner of Pleasant Valley School Addition
 Lot 1 in Wichita, KS.
 Elev. = 1316.42 (NAVD 88)

W.L. Sta. 0+00, Begin Line 1
 B.L. Sta. -0+12.69, 1.64' Lt.
 Tap Existing 8" AC Water Main
 1-8" x 8" Tapping Sleeve
 1-8" Tapping Valve
 with Valve Box
 Valve Box Elev. = 1315.95
 To be Furnished & Installed by
 City of Wichita Water Dept.
 Contractor to Reimburse Water
 Dept. \$1,830 for Tapping Sleeve
 & Valve Installation.
 Contractor to Verify Depth &
 Location of Existing 8" AC
 Water Line Prior to Construction.
 Deflect Pipe 4' Right.

Saw cut and remove existing
 concrete sidewalk as necessary
 for construction. To be
 replaced by City's Contractor.
 Call Linda Firsching @
 268-4418 for unit prices. Cost
 subsidiary to "Site Clearing &
 Restoration."



Note: Contractor to field
 verify depth and location
 of existing water line prior
 to construction.



Baughman		Pleasant Valley School Addition	
		Line 1	
		Water Line Improvements	
Baughman Company, P.A. 315 Ellis St. Wichita, KS 67211 P 316-262-7271 F 316-262-0149 ENGINEERING SURVEYING PLANNING LANDSCAPE ARCHITECTURE			
PROJECT NUMBER	DESIGN	DRAWN	
	PSB	TNT	
REVISIONS:	APPROVED	DATE	
	TNT	05/18/2011	
	SCALE		
	Noted		
	SHEET		
			3 OF 4