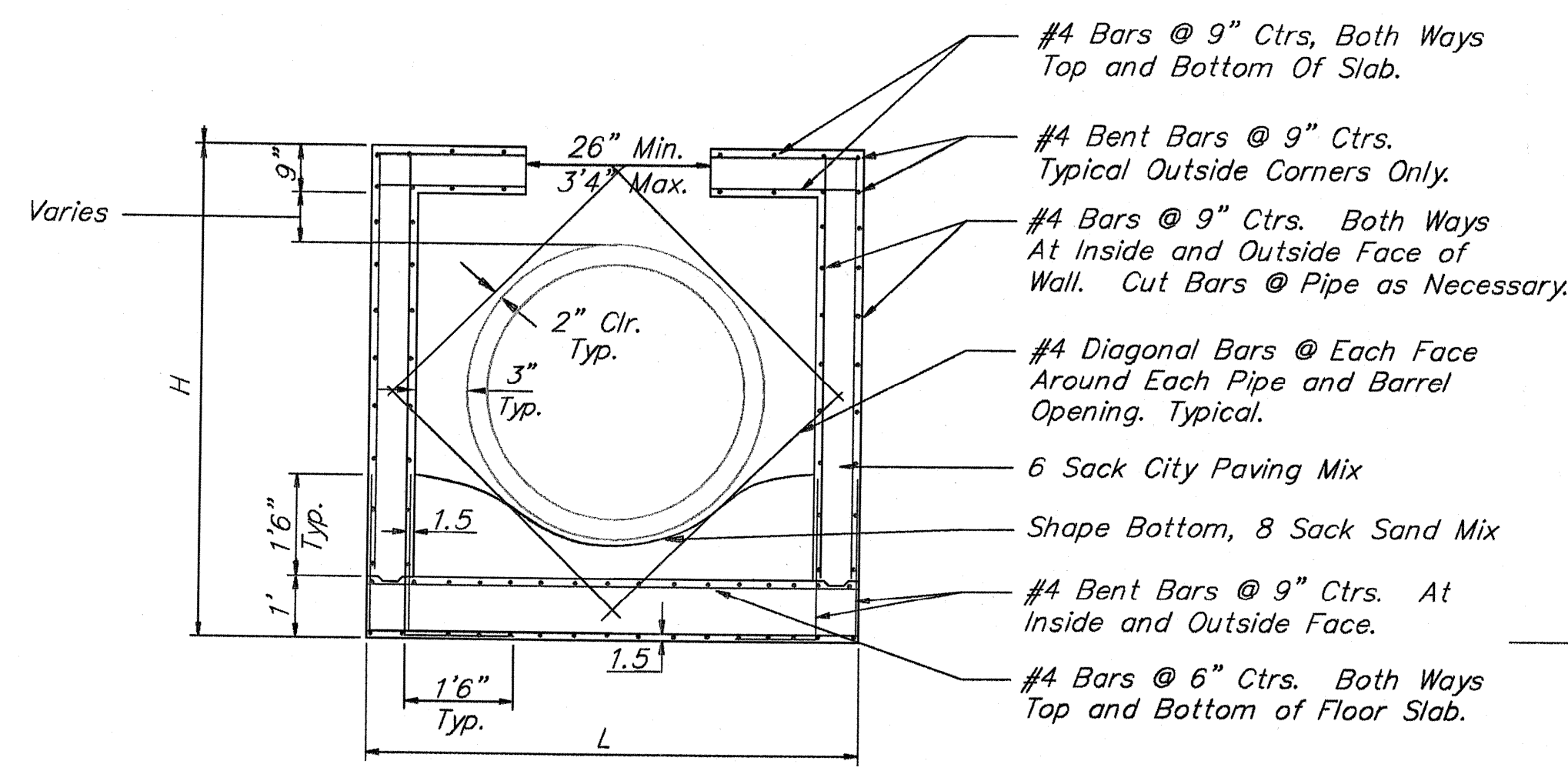
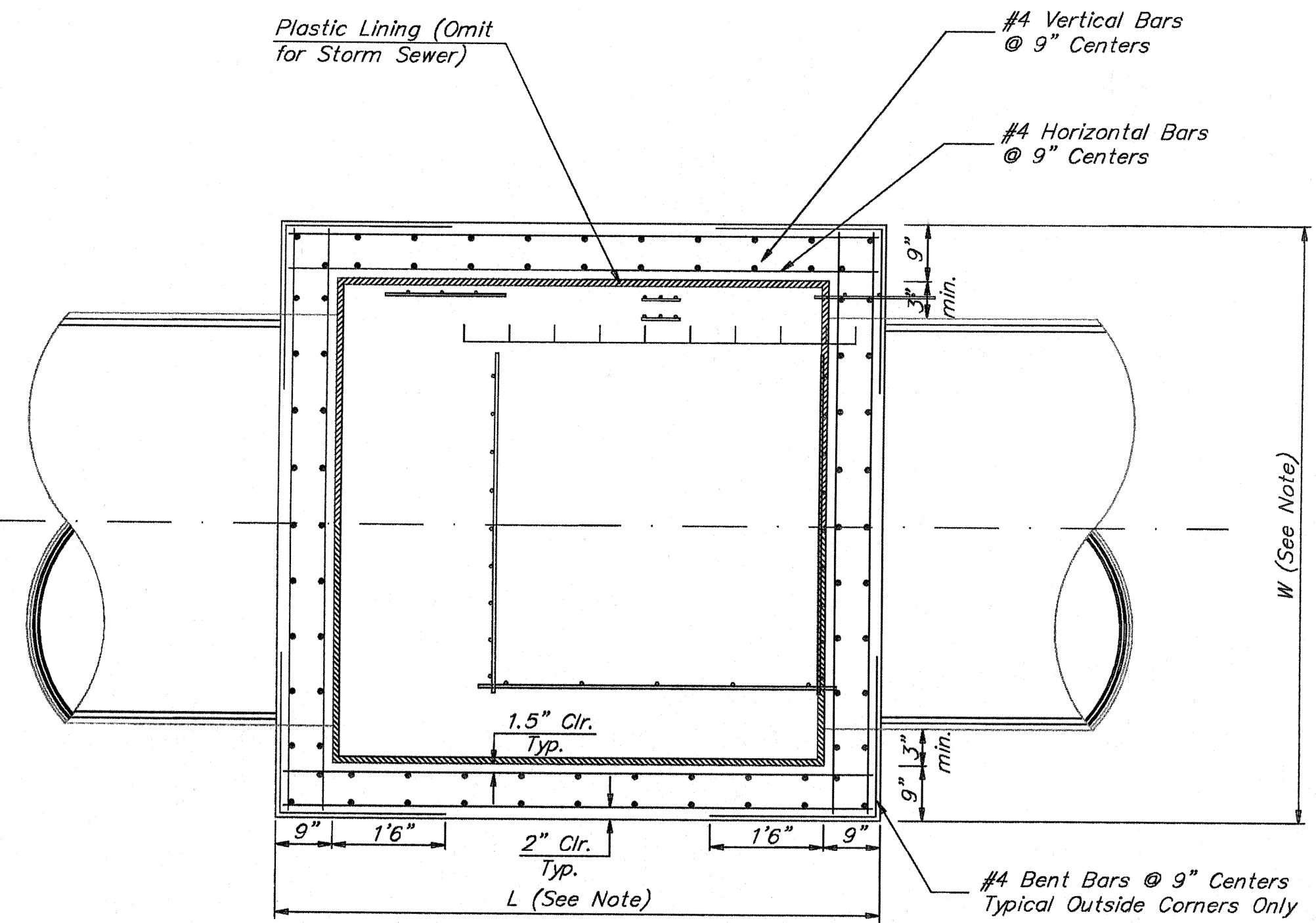


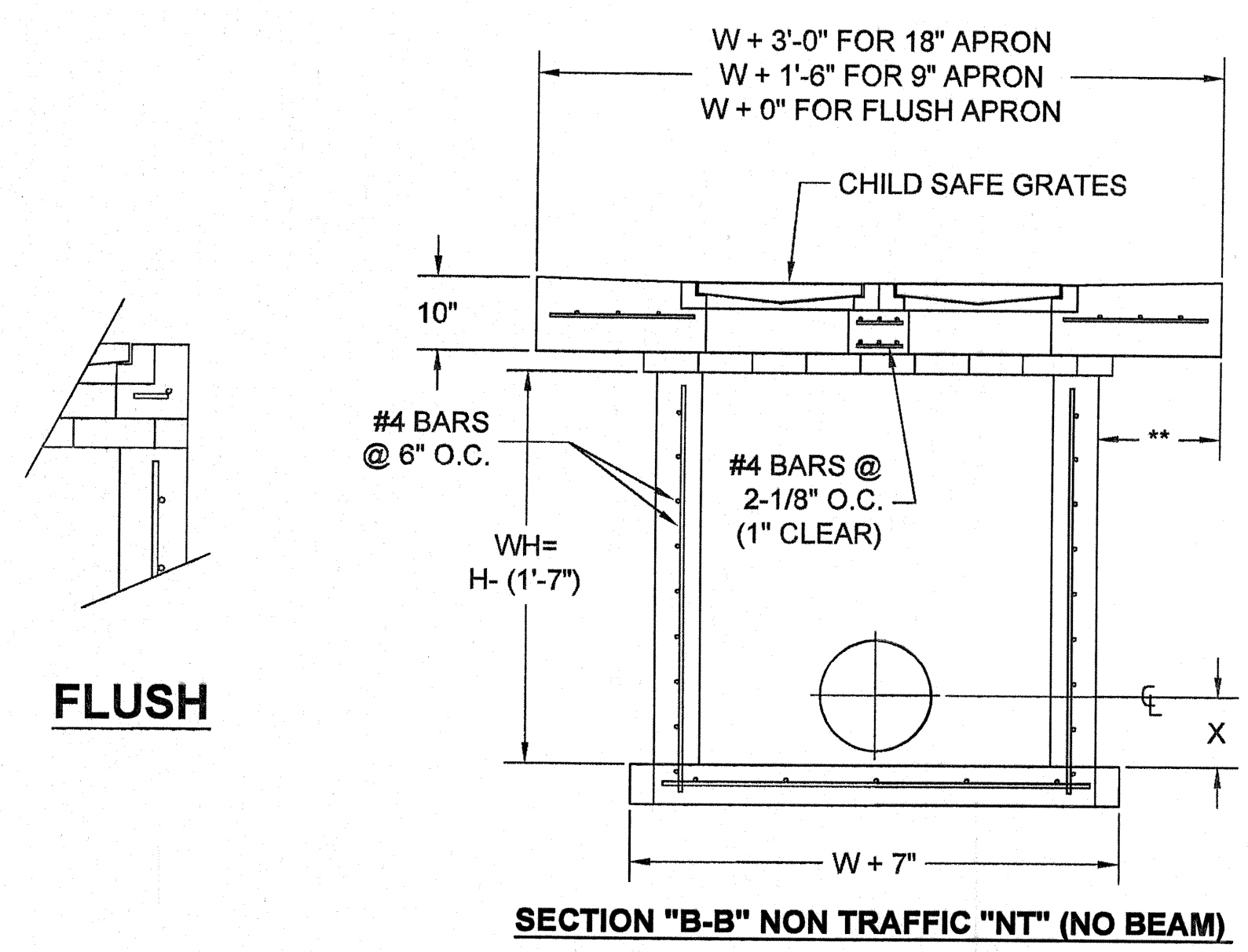
REINFORCED CONCRETE MANHOLE STRUCTURE  
W/DOUBLE-DOUBLE DROP INLET TOP (NO APRON).  
STA. 0+00, LINE 1



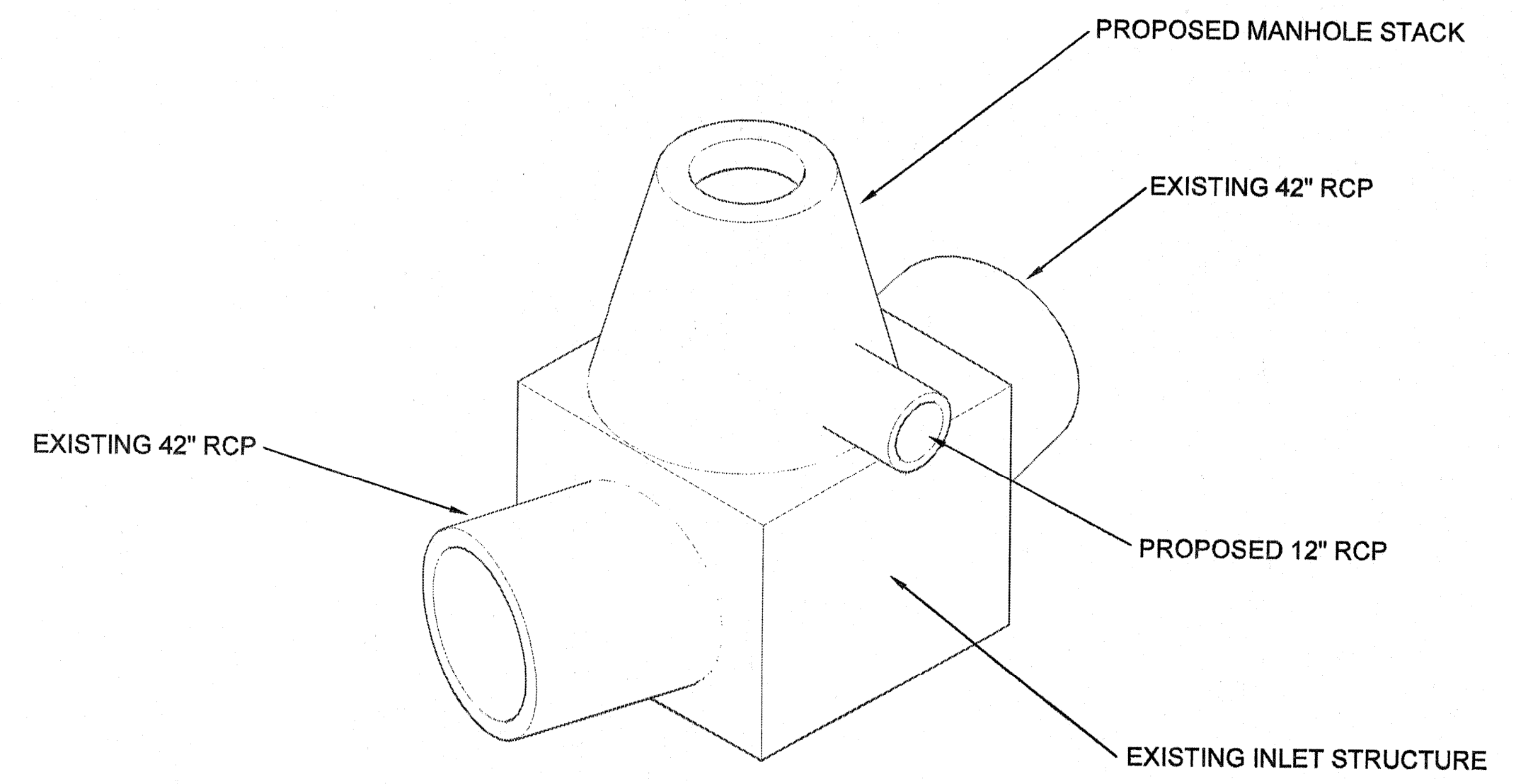
REINFORCED CONCRETE MANHOLE BOTTOM  
STA. 0+00, LINE 1



REINFORCED CONCRETE MANHOLE BOTTOM  
STA. 0+00, LINE 1- TOP VIEW



COMPLETE DOUBLE-DOUBLE DROP INLET SHOWN.  
ONLY USE TOP & NECESSARY BARREL SECTION  
AS SHOWN IN REINFORCED CONCRETE MANHOLE  
STRUCTURE DETAIL.



3 DIMENSIONAL DRAWING OF EXISTING INLET  
STRUCTURE WITH PROPOSED MANHOLE  
STRUCTURE ON TOP. STA. 0+00, LINE 2.