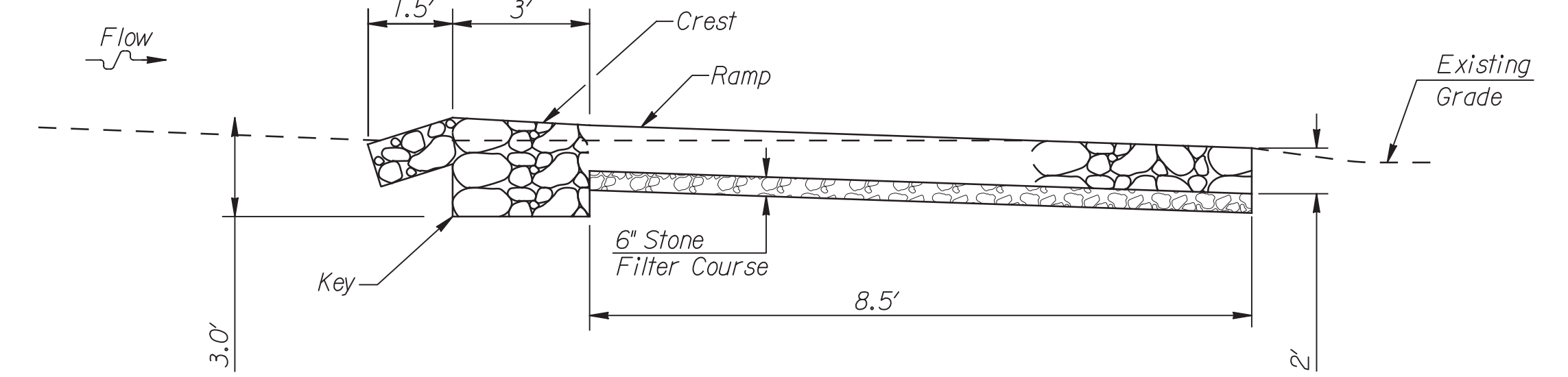
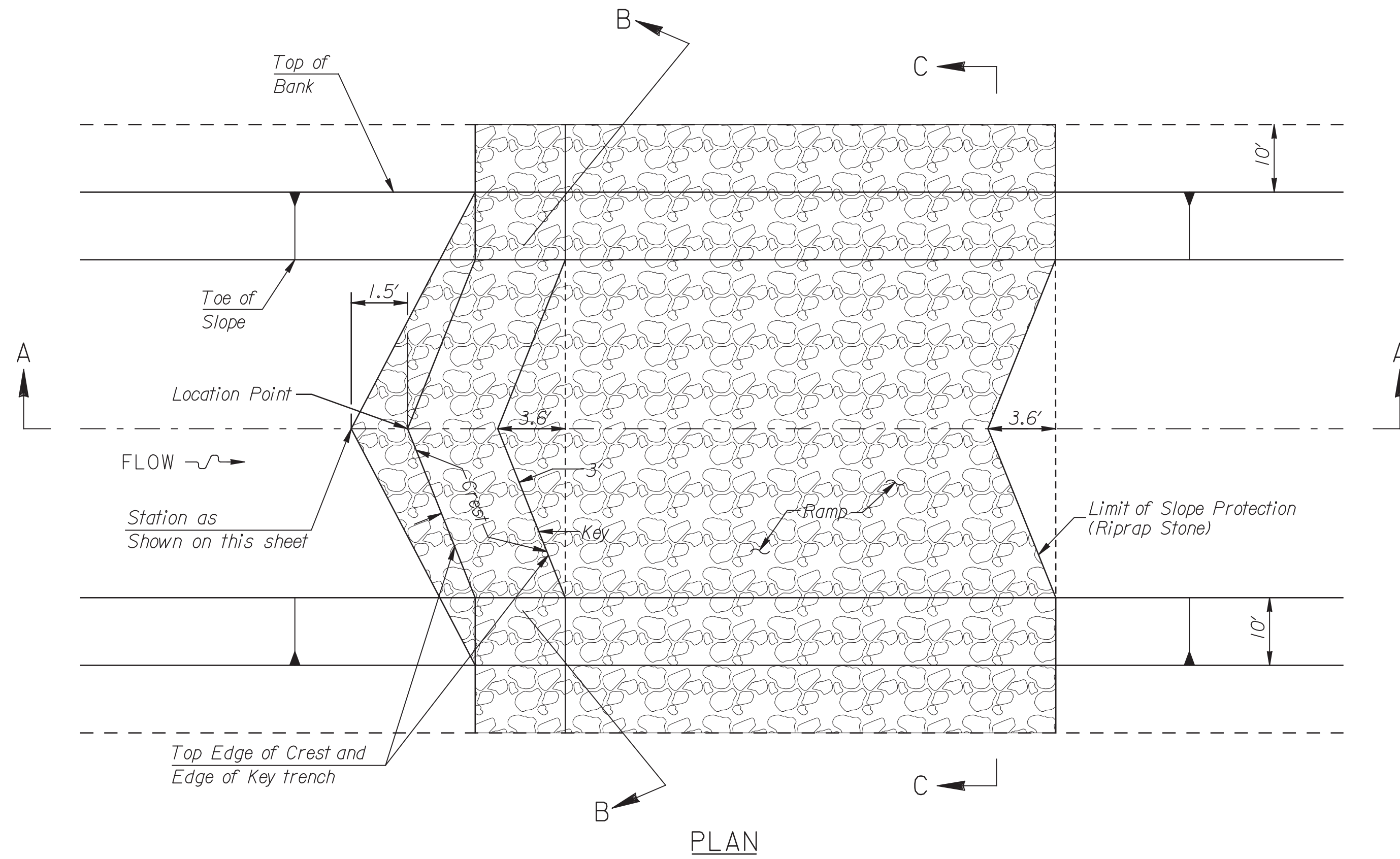
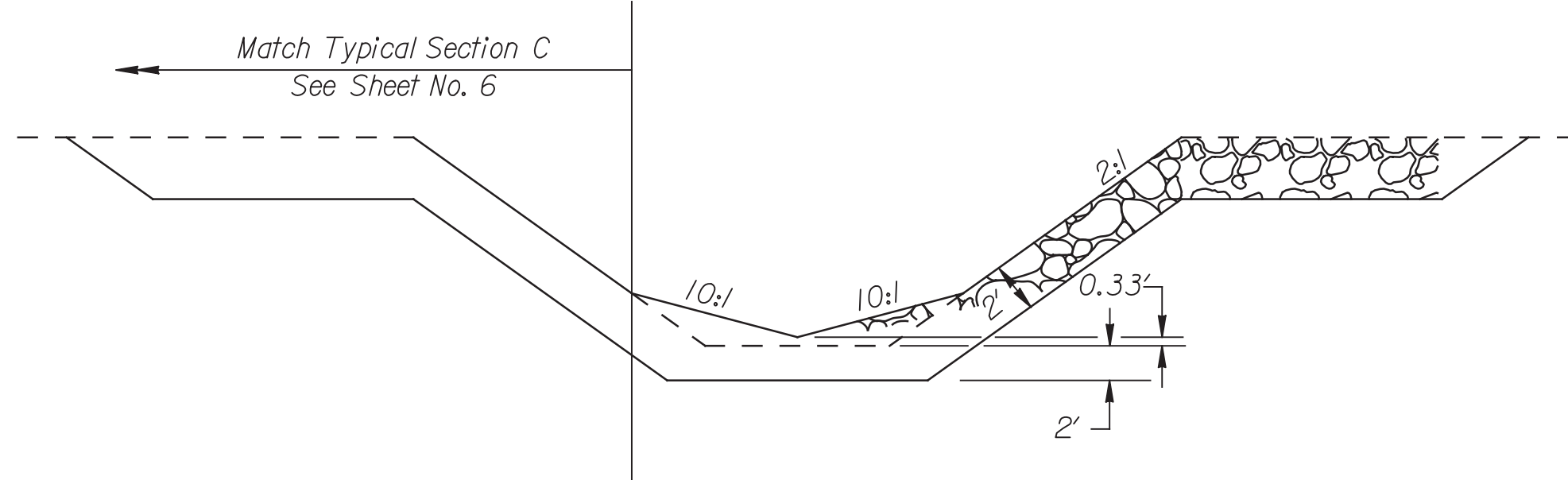


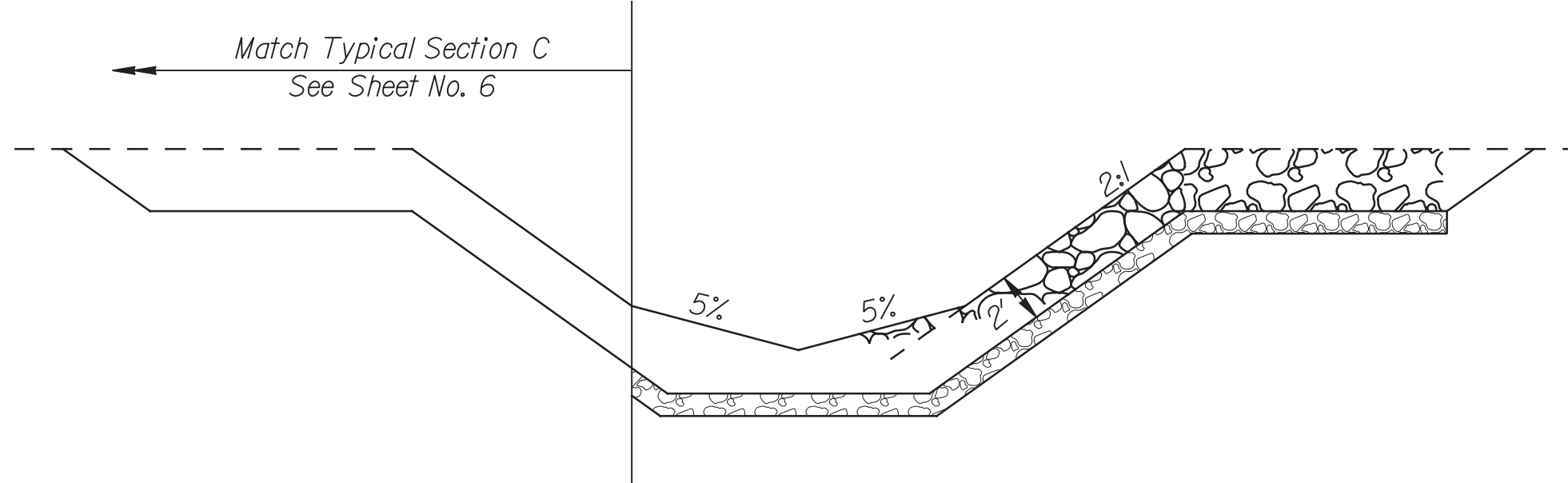
APPROVED	DESIGNED	DETAILED
DESIGN CK.	QUANTITIES	TRACE CK.
QUANCK.	TRACE CK.	



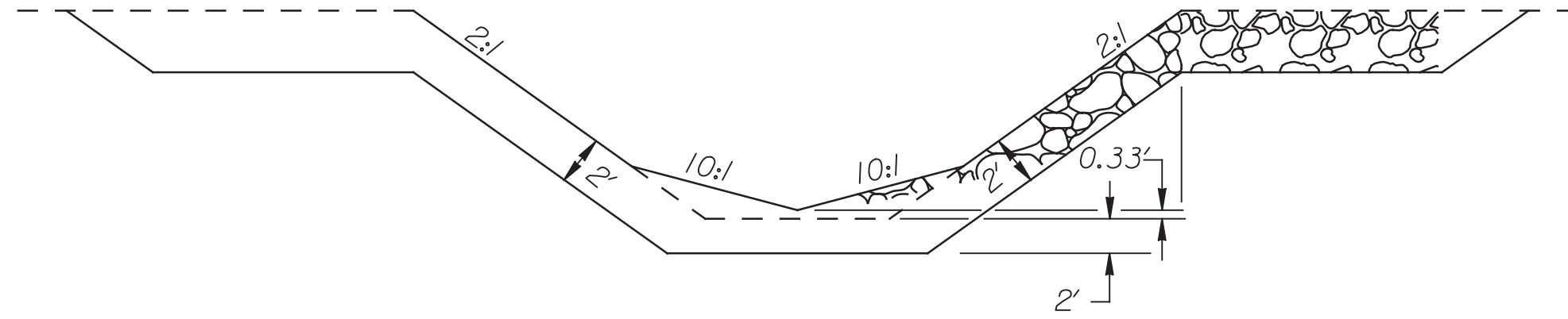
SECTION A-A
NTS



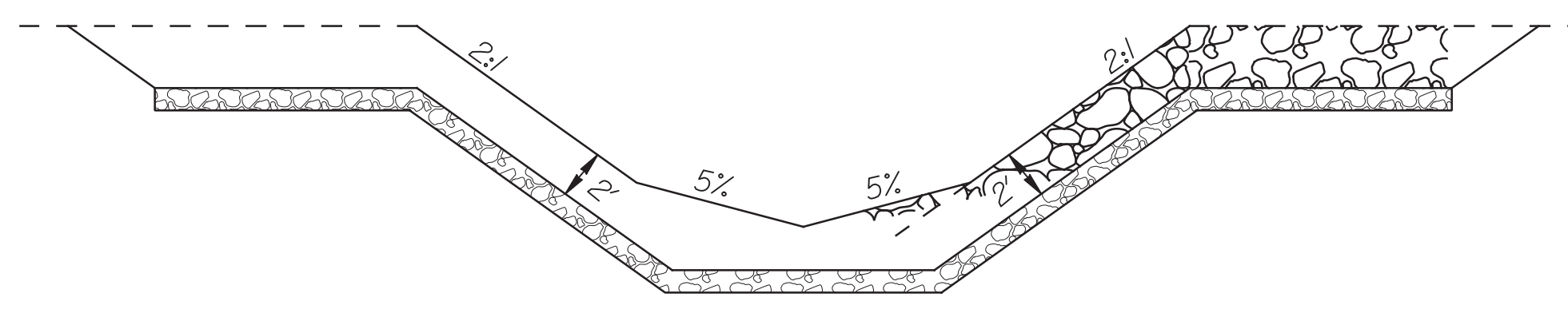
SECTION B-B - NEWBERRY #1
(Through Key)
NTS



SECTION C-C - NEWBERRY #1
(Through Key)
NTS



SECTION B-B - NEWBERRY #2
(Through Key)
NTS



SECTION C-C - NEWBERRY #2
(Through Key)
NTS

Plotted on: Wednesday, January 11, 2012 07:38 AM Model: *****.MODEL*****
 By: Jwoolard Plot Scale: 1/2"=1'-0" Pen Table: halsize.pen
 Design File Name: \\ovpww00\jobs\4324\CD\Detail\Gyp_Arm_Newberry.dgn

NO.	DATE	BY	APP'D	REVISIONS
4				
3				
2				
1				