

BAR LIST			
MARK	SIZE	SHAPE	SPACE
"A"	1/2"	BENT	6" c/c
"B"	1/2"	BENT	9" c/c
"C"	5/8"	STR.	6" c/c
"D"	5/8"	STR.	6" c/c

**GENERAL NOTES FOR AREA INLET**

ALL CONSTRUCTION AND MATERIALS REQUIREMENTS SHALL CONFORM TO THE CURRENT SPECIFICATIONS.

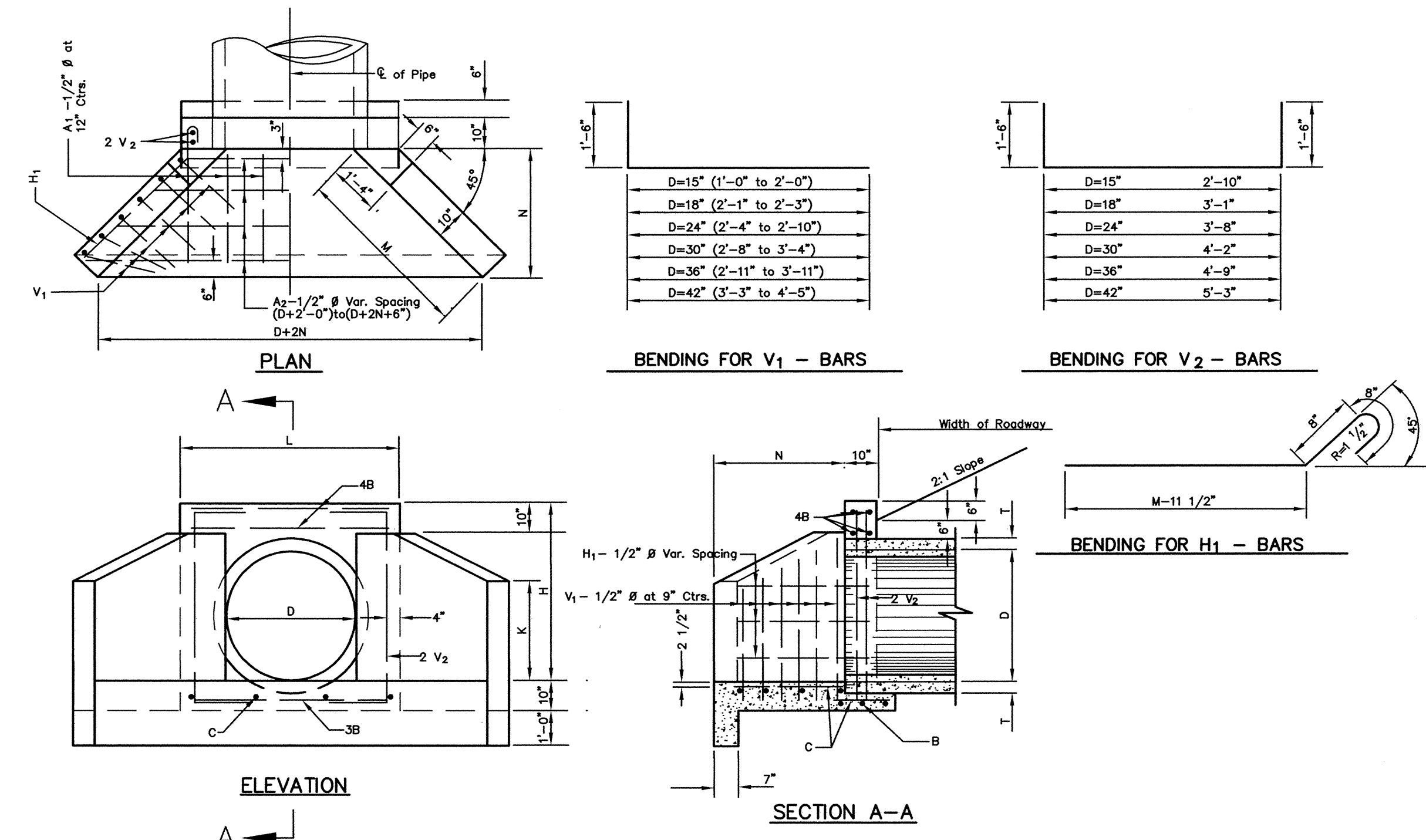
EXPOSED CONCRETE EDGES SHALL HAVE A 1/2" CHAMFER. ALL EXPOSED SURFACES SHALL BE HAVE CARBORUNDUM FINISH.

DESIGN OF GRATE IS BASED UPON MINIMUM H-15 LOADING.

GRATE SHALL BE FURNISHED GALVANIZED IN ACCORDANCE WITH THE REQUIREMENTS OF AASHTO M-111 OR ASTM A-123. HARDWARE SHALL BE FURNISHED GALVANIZED IN ACCORDANCE WITH THE REQUIREMENTS OF AASHTO M-232 OR ASTM A-153.

VENT HOLES SHALL BE DRILLED IN FRAME AS SHOWN.

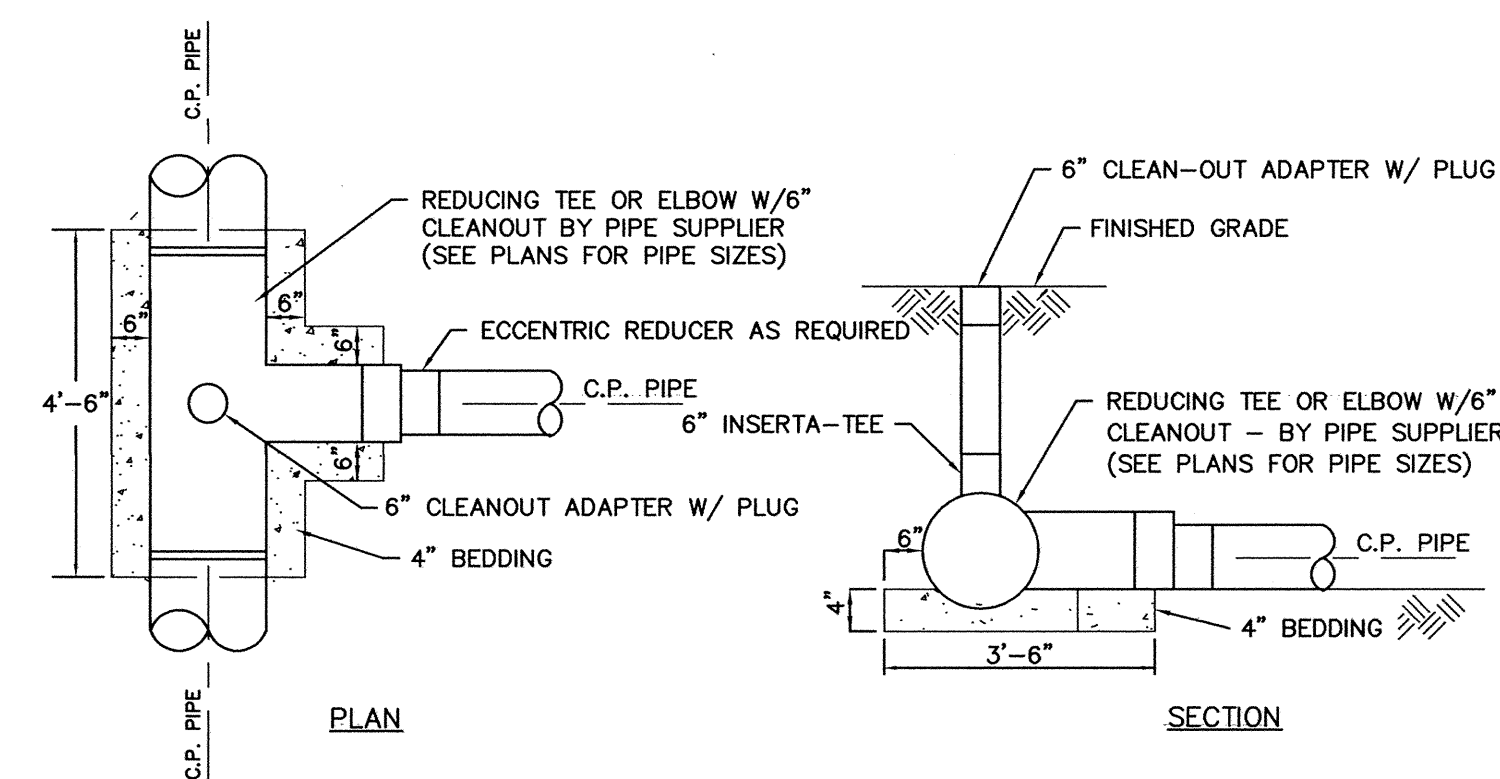
**AREA INLET DETAILS**  
N.T.S.



\* FOR ONE HEADWALL

D	AREA SQ.FT.	DIMENSIONS							REINFORCING STEEL										QUANTITIES*				
		T	H	K	L	M	N	A <sub>1</sub> - 1/2" Ø		A - 1/2" Ø		B - 1/2" Ø		C - 1/2" Ø		H <sub>1</sub> - 1/2" Ø		V <sub>1</sub> - 1/2" Ø		CLASS "A" CONC. C.Y.	REINF. STEEL LBS.		
		NO.	LENGTH	NO.	LENGTH	NO.	LENGTH	NO.	LENGTH	NO.	LENGTH	NO.	LENGTH	NO.	LENGTH	NO.	LENGTH	NO.	LENGTH				
18"	1.23	2 1/4"	2'-5 1/4"	1'-5"	3'-7"	1'-9"	1'-3"	4	1'-0"	2	3'-9" Av.	7	3'-3"	3	1'-8"	4	2'-1"	4	3'-5" Av.	4	5'-10"	.74	57
18"	1.77	2 1/2"	2'-8 1/2"	1'-7"	3'-10"	2'-1 1/2"	1'-8"	4	1'-2"	2	4'-3" Av.	7	3'-8"	3	1'-8"	4	2'-6"	4	3'-8" Av.	4	5'-1"	.91	61
24"	3.14	3"	3'-3"	1'-10 1/2"	4'-4"	2'-10"	2'-0"	5	1'-8"	3	5'-3" Av.	7	4'-0"	3	1'-8"	6	3'-2"	6	4'-1" Av.	4	6'-8"	1.37	85
30"	4.91	3 1/2"	3'-9 1/2"	2'-2"	4'-10"	3'-8 1/2"	2'-6"	5	2'-2"	3	6'-3" Av.	7	4'-8"	4	1'-8"	6	3'-11"	8	4'-6" Av.	4	7'-2"	1.77	104
36"	7.07	4"	4'-4"	2'-5 1/2"	5'-4"	4'-3"	3'-0"	6	2'-8"	4	7'-3" Av.	7	5'-0"	4	1'-8"	6	4'-7"	10	4'-11" Av.	4	7'-9"	2.29	130
42"	9.82	4 1/2"	4'-10 1/2"	2'-9"	5'-10"	4'-11 1/2"	3'-6"	6	3'-2"	4	8'-3" Av.	7	5'-8"	4	1'-8"	6	5'-4"	12	5'-4" Av.	4	8'-3"	2.89	151

**HEADWALL DETAILS**  
N.T.S.



**CPP JUNCTION BOX DETAIL**  
N.T.S.

**MISCELLANEOUS STORM SEWER DETAILS**

MARKET STORE #5860-00

HARRY STREET & WEBB ROAD  
WICHITA, KANSAS

SMC Consulting Engineers, P.C.  
815 West Main - Oklahoma City, OK 73106  
PH: 405-232-7715 Fax: 405-232-7859



KANSAS CERTIFICATE OF AUTHORIZATION NO. E-335 EXP. DEC. 2011

No.	Revision	By	Date
1	Revised per city's comments	KST	11/01/10
2	MM OIB REVIEW	KST	01/17/11
3	MM OIB	KST	01/31/11

DATE: 10/04/10	SCALE: NTS	SHEET NO. C-9.9
DRAWN BY: KST		
PROJECT NO.: 4846.00		
ENGINEER: TERENCE L. HAYNES, P.E. #14583		

