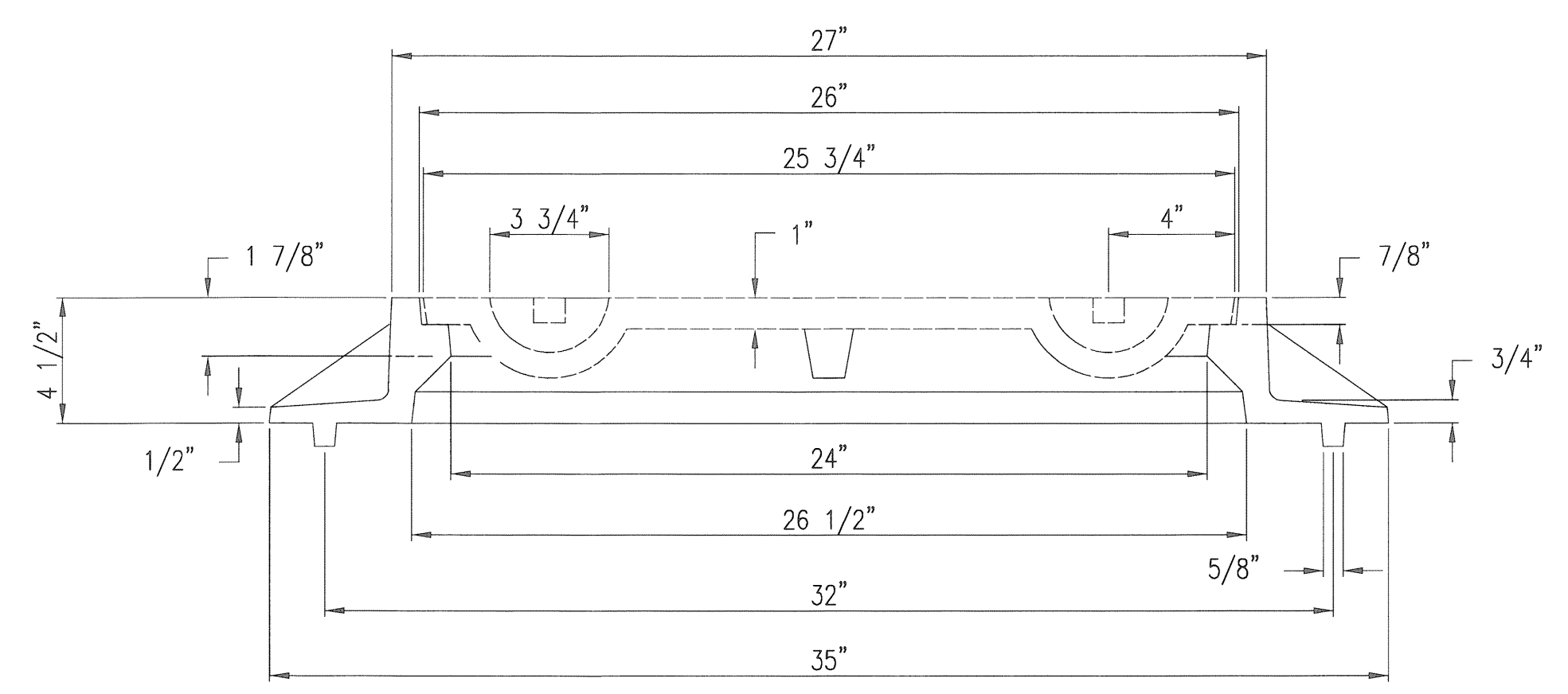
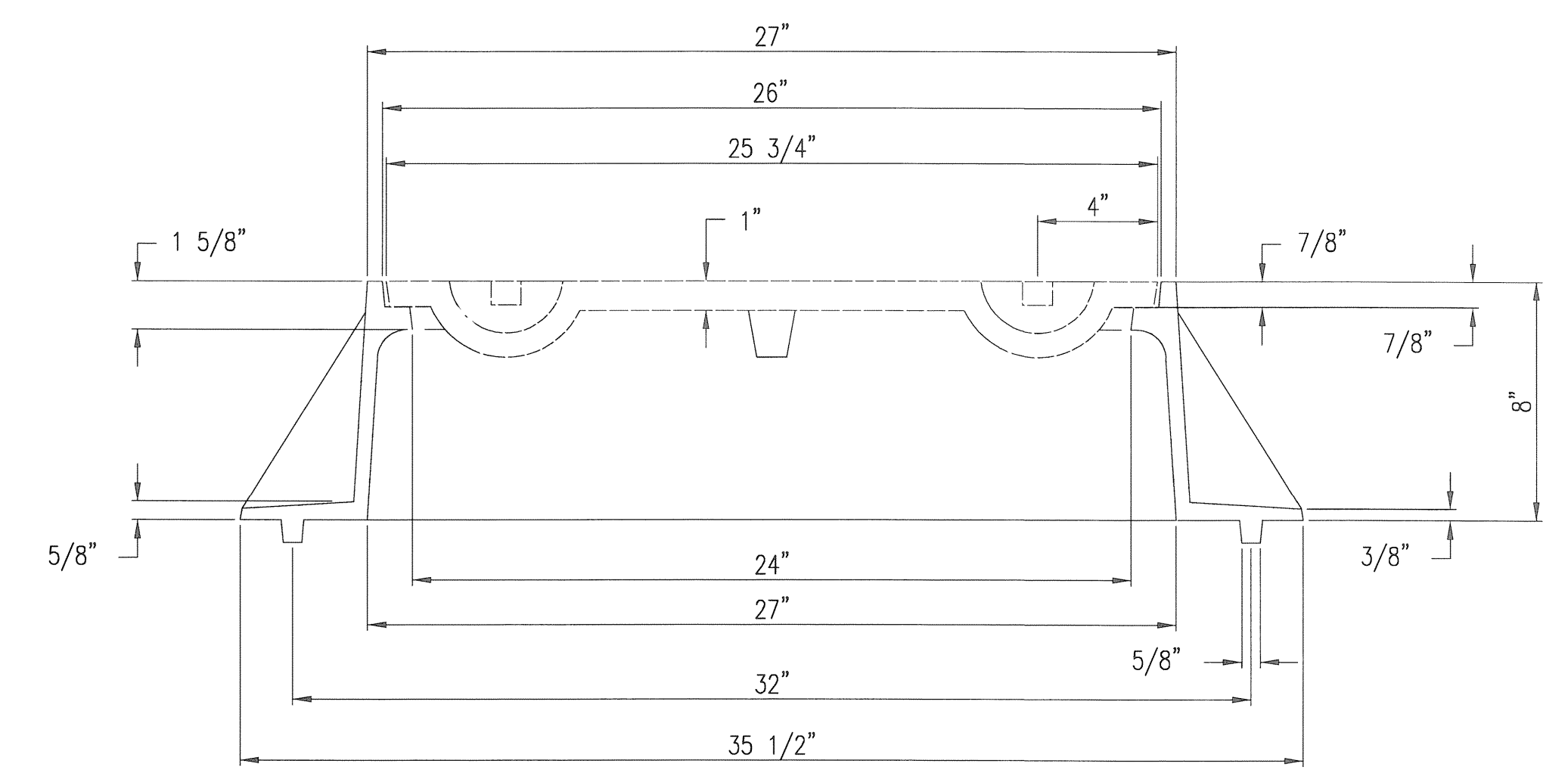
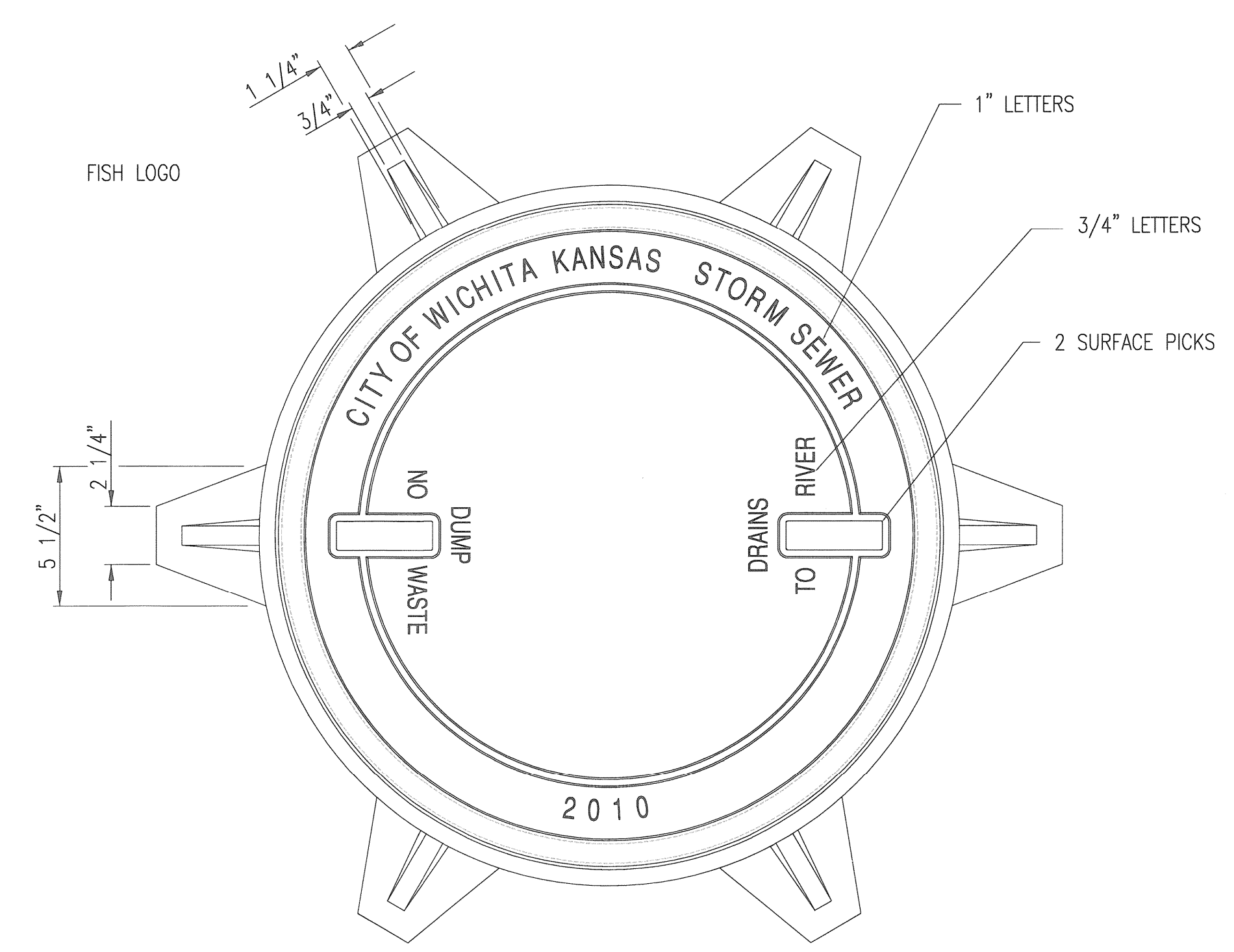
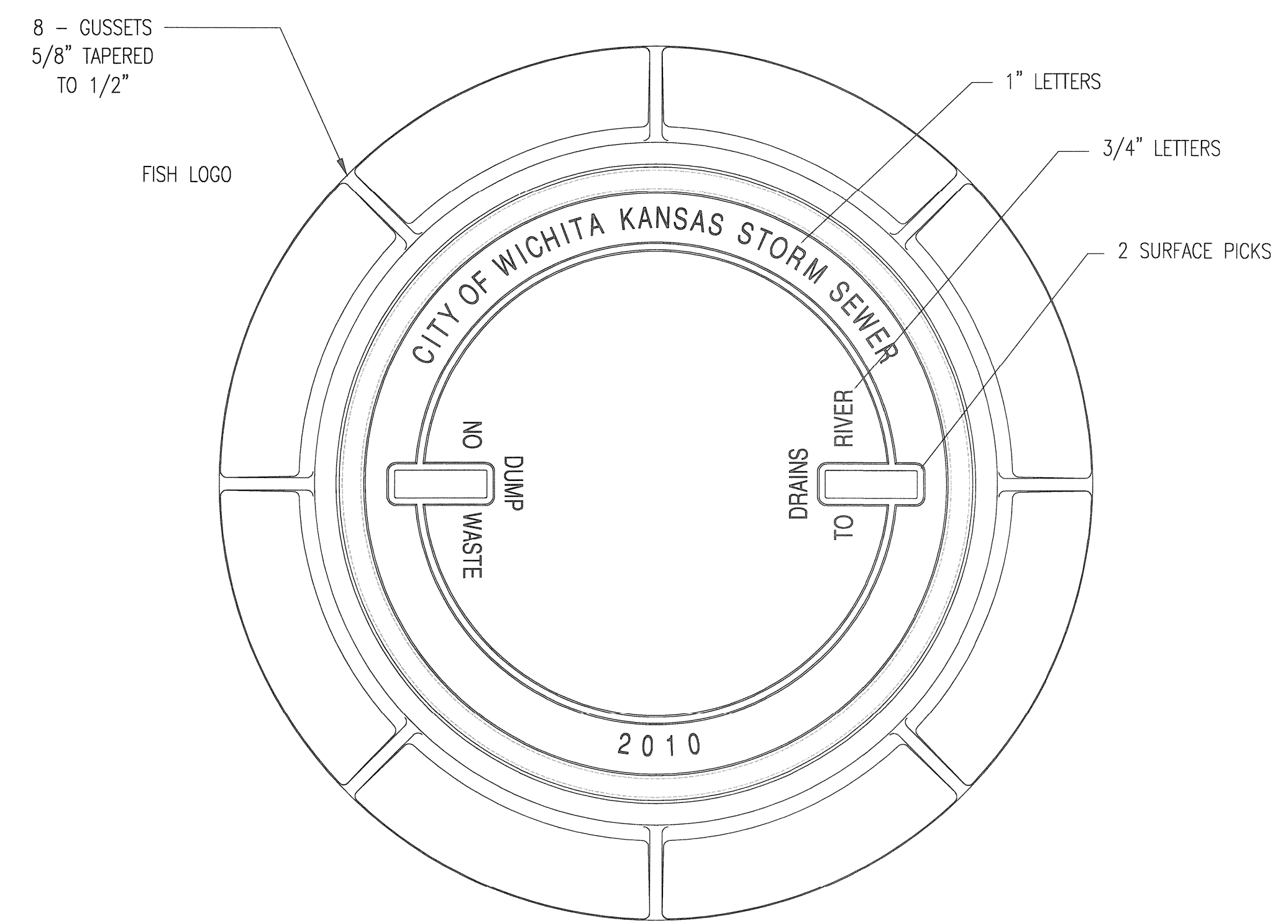


FHWA REGION NO.	STATE	PROJECT NO.	FISCAL YEAR	SHEET NO.	TOTAL SHEETS
7	KANSAS	XXX-XXXX-XX	2011	XX	XX



MANHOLE FRAME
DEETER #1261 OR EJIW #1936-Z1

INLET FRAME
DEETER #2014 OR EJIW #1936-Z4

NOTED:
1. ALL DIMENSIONS ARE TO FACE UNLESS NOTED OTHERWISE.
2. ALL DIMENSIONS ARE TO FACE UNLESS NOTED OTHERWISE.
3. ALL DIMENSIONS ARE TO FACE UNLESS NOTED OTHERWISE.

NOTED:
1. ALL DIMENSIONS ARE TO FACE UNLESS NOTED OTHERWISE.
2. ALL DIMENSIONS ARE TO FACE UNLESS NOTED OTHERWISE.
3. ALL DIMENSIONS ARE TO FACE UNLESS NOTED OTHERWISE.



MANHOLE/INLET FRAME AND COVER (STORM SEWER)		
CITY ENGINEER JAMES L. ARMOUR, P.E., L.S.		
PROJECT NUMBER	OCA NUMBER	DATE
		11/2010
CITY ENGINEER'S OFFICE		DESIGN
CITY HALL - SEVENTH FLOOR		DRAWN
455 NORTH MAIN STREET		
WICHITA, KANSAS 67202-1620		
(316) 268-4501		SHEET
		6 of 12