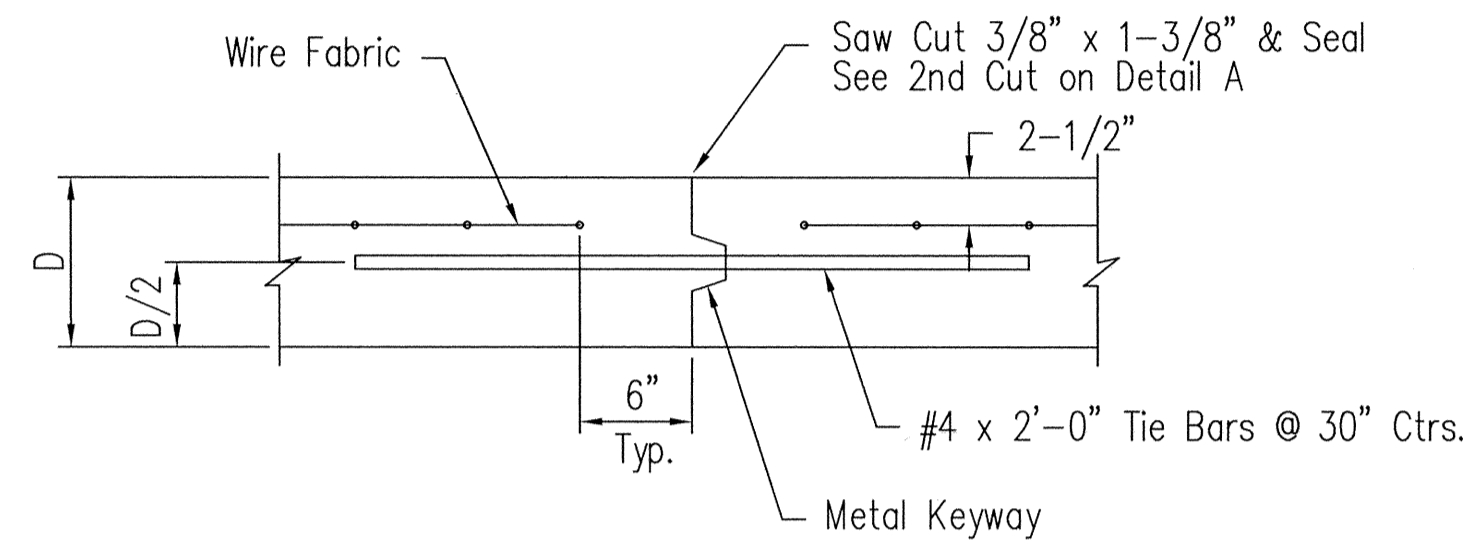
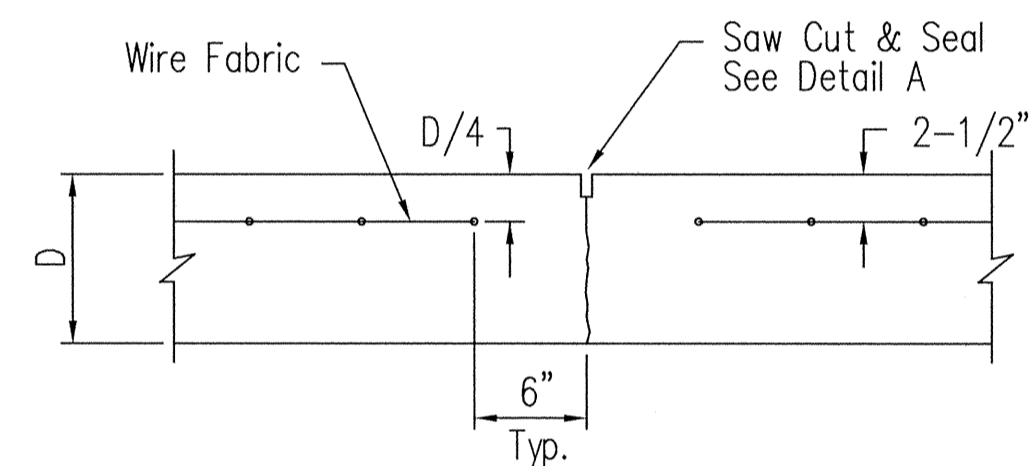


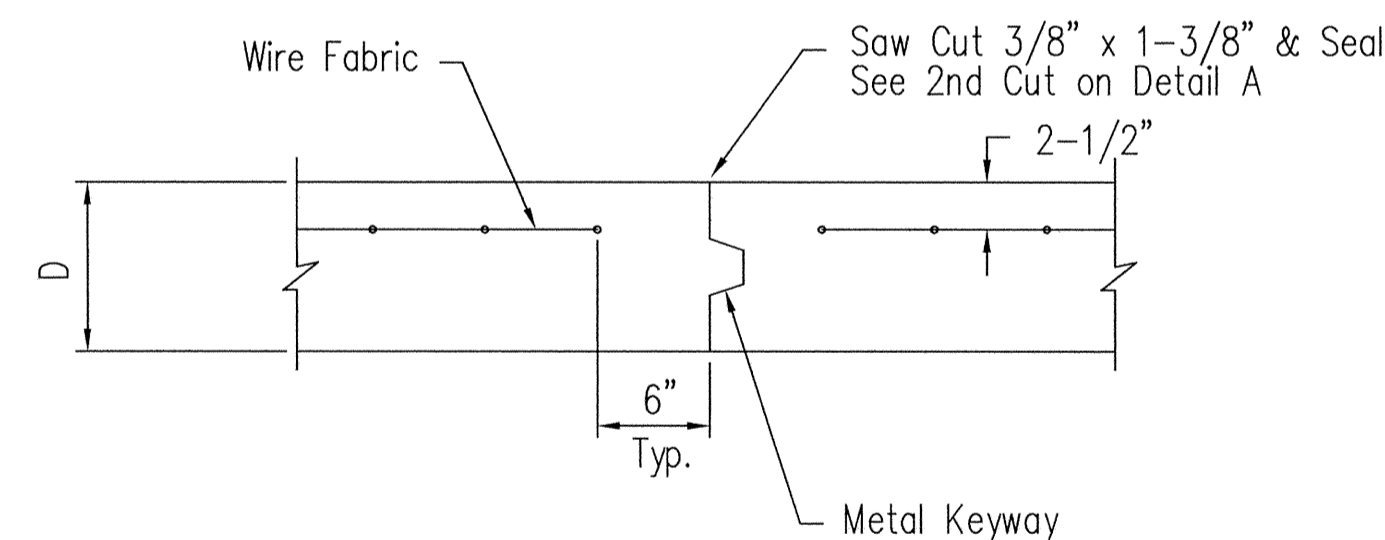
LONGITUDINAL JOINT DETAIL (L.J.)



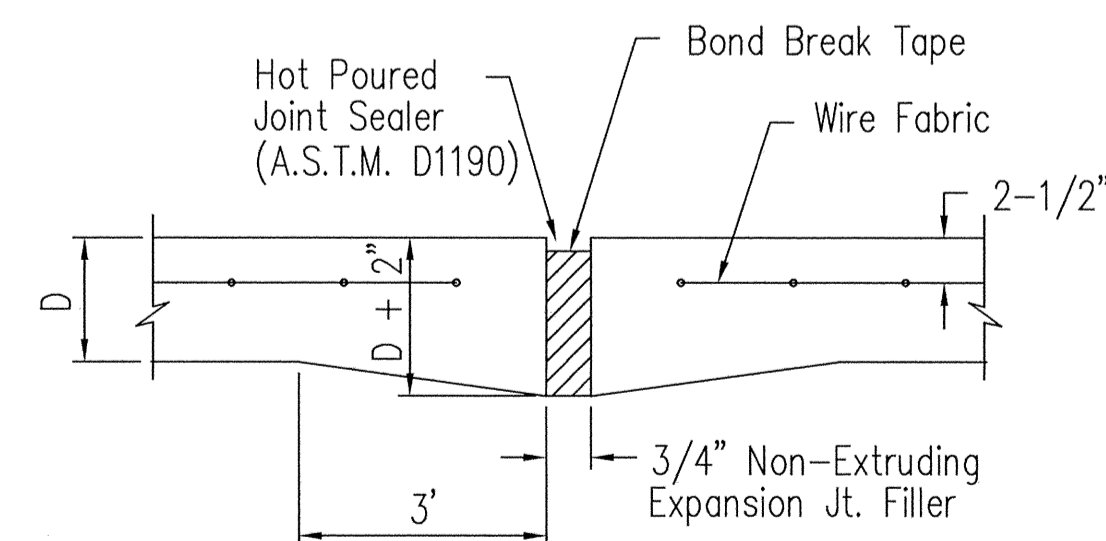
OPT. LONGITUDINAL JOINT DETAIL (L.J.)



CONTRACTION JOINT DETAIL (C.J.)

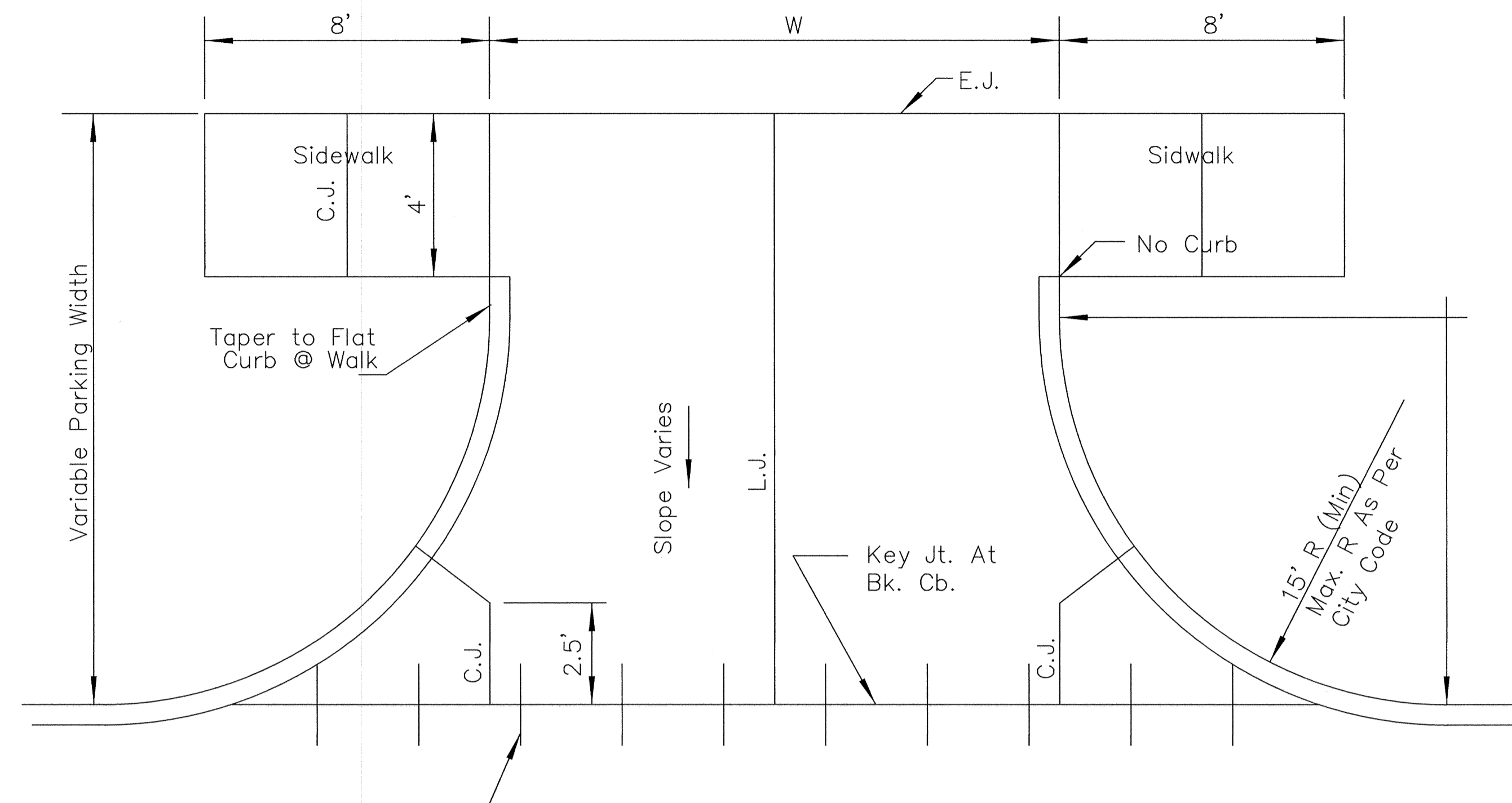


OPTIONAL CONTRACTION JOINT



EXPANSION (ISOLATION) JOINT

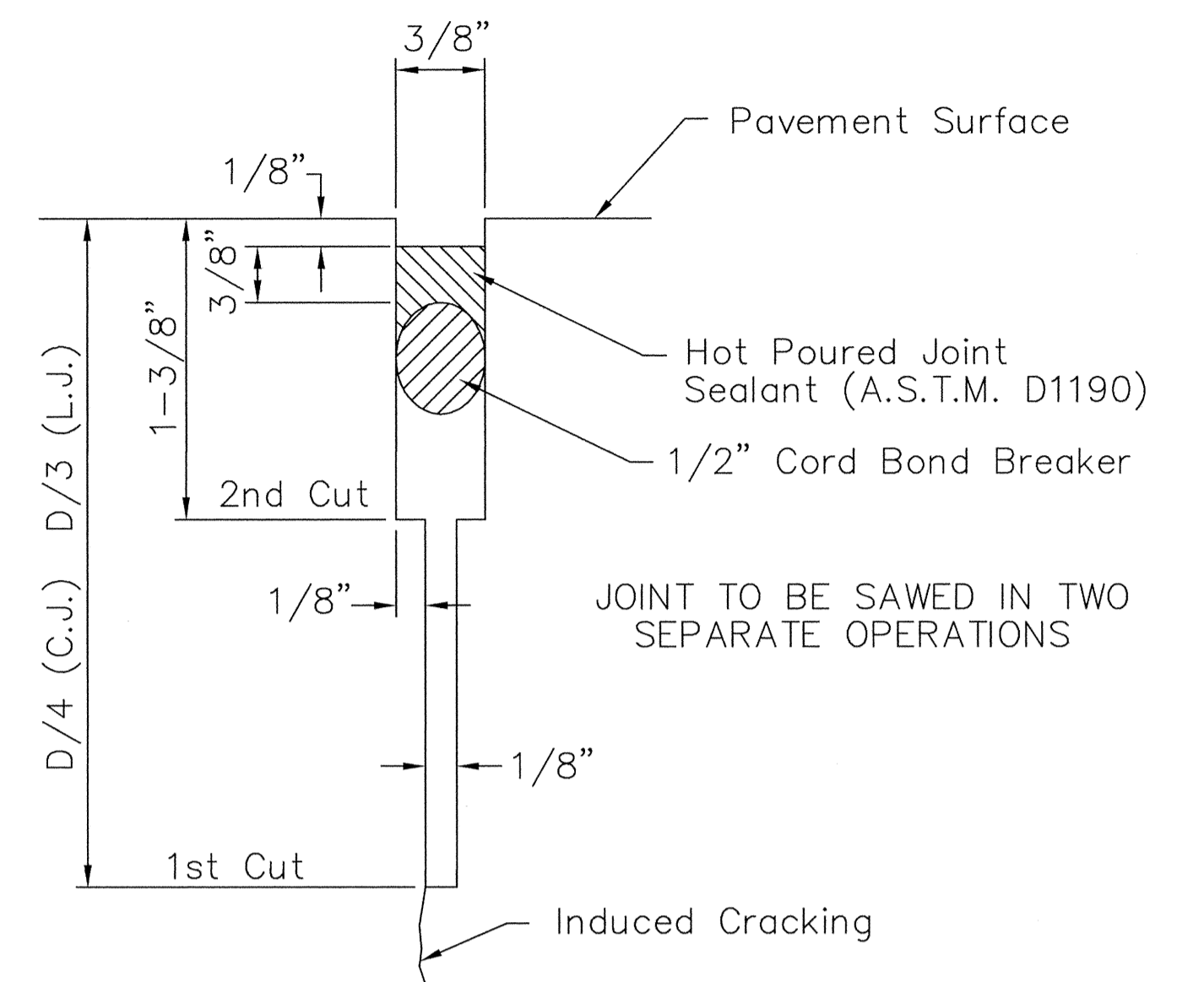
NOTE: Extra Thickness to be Subsidiary to Price of Square Yards Pavement



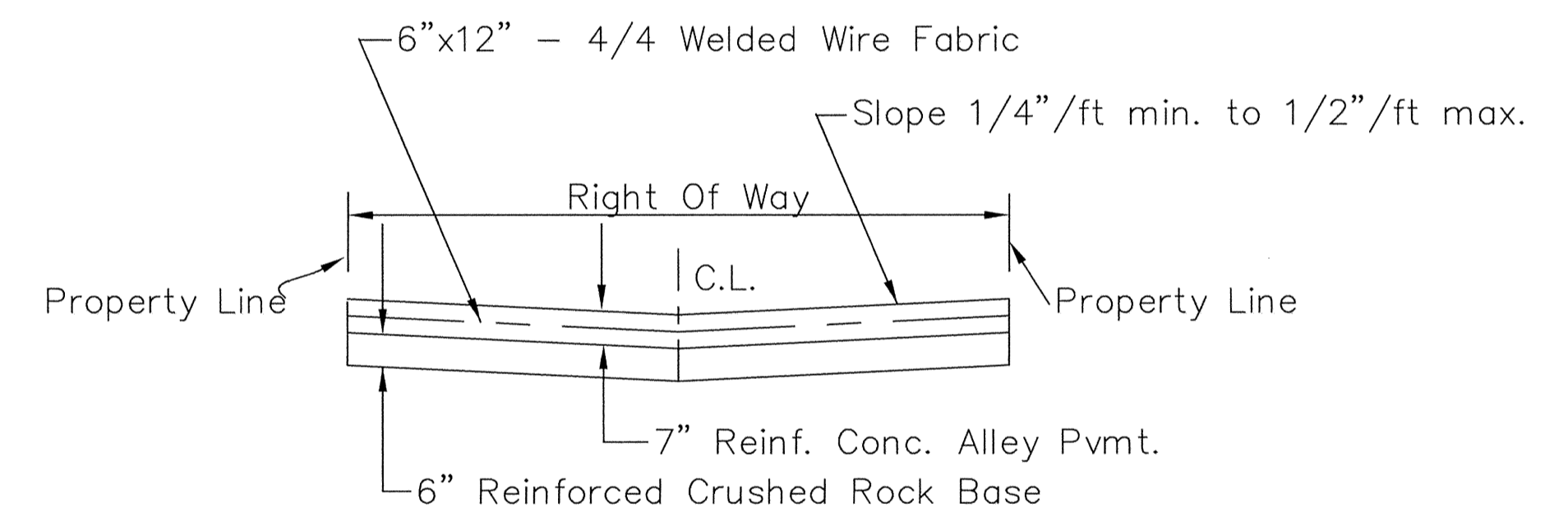
#4 Dowels 2' Long On 2.5' Ctrs.

Use Ramp-Type Approach when distance between fc. wk. & bk. cb. is 8'-0" or less. Where parking width is 8'-0" or less ramp shall be constructed full width.

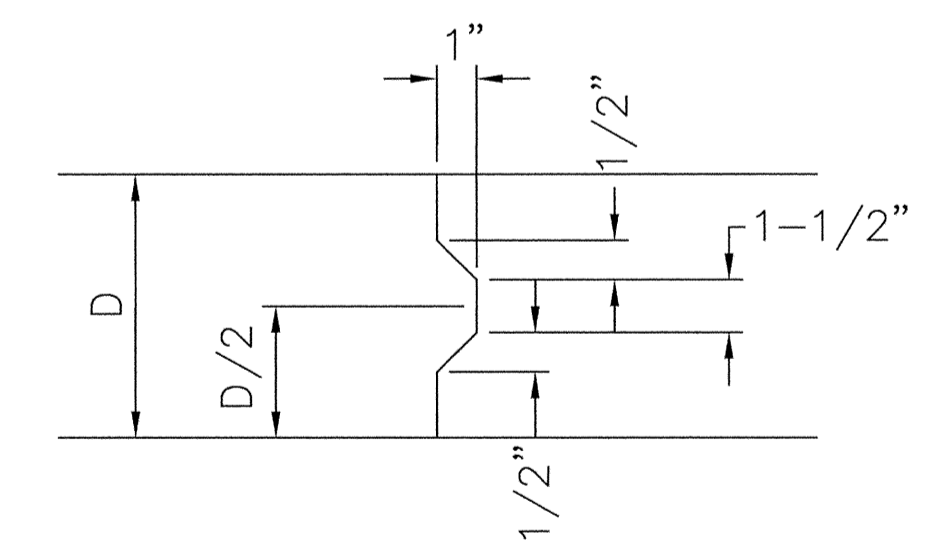
ALLEY APPROACH DETAIL



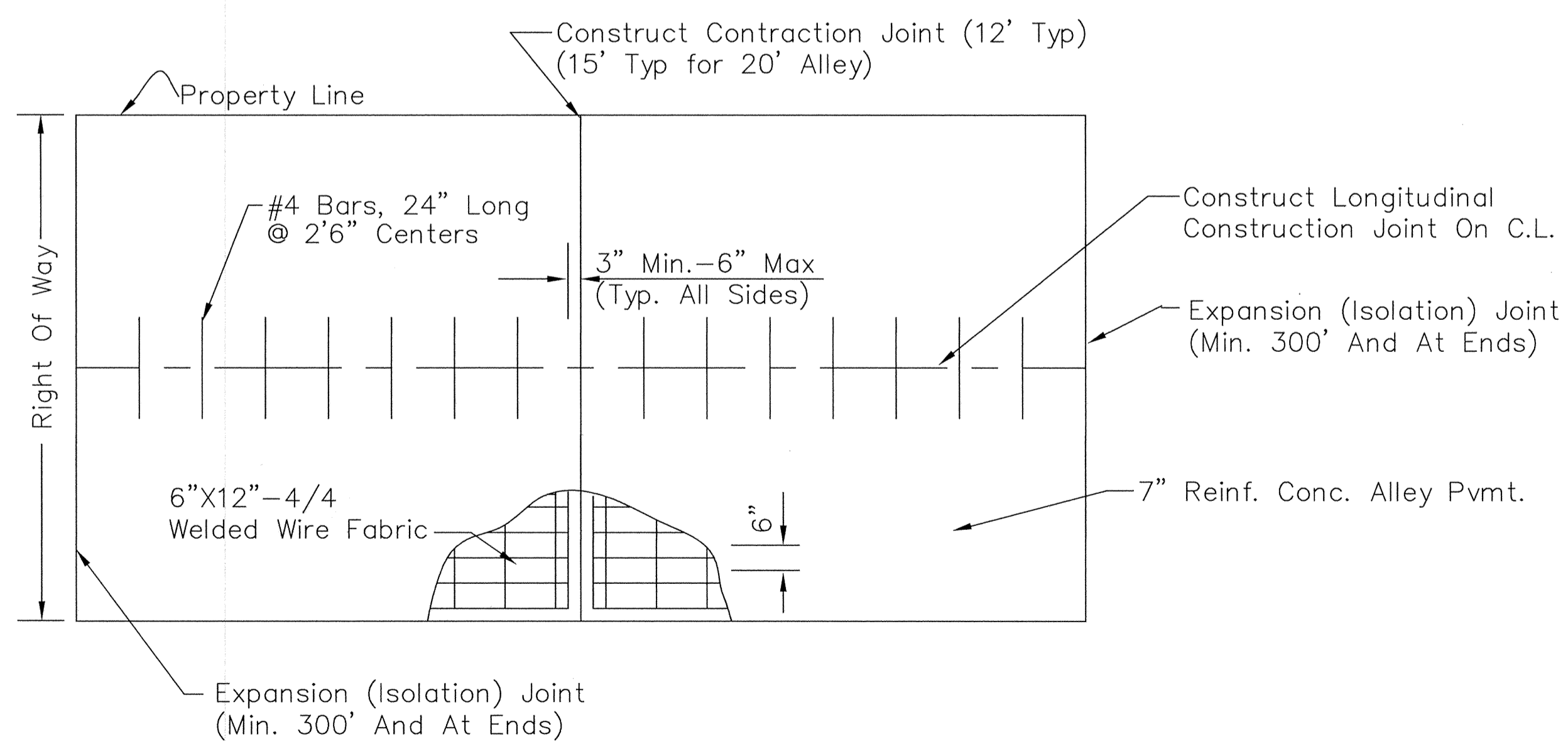
SAW JOINT DETAIL (Detail A)



TYPICAL PAVEMENT SECTION



KEYWAY DETAIL



SLAB REINFORCEMENT DETAIL

	REINFORCED CONCRETE ALLEY PAVING		
	CITY ENGINEER JAMES L. ARMOUR, P.E., L.S.		
	PROJECT NUMBER 211PPP(607879)	OCA NUMBER XXXXXX	DATE MM/YY
	CITY ENGINEER'S OFFICE CITY HALL - SEVENTH FLOOR 425 NORTH MAIN STREET WICHITA, KANSAS 67202-1620 (316) 268-4501 (316) 268-4114 FAX		DESIGN ABC
		DRAWN DEF	SHEET C-12.3

REV. 3-08-02, MCG
ALLEY PAVING.DWG