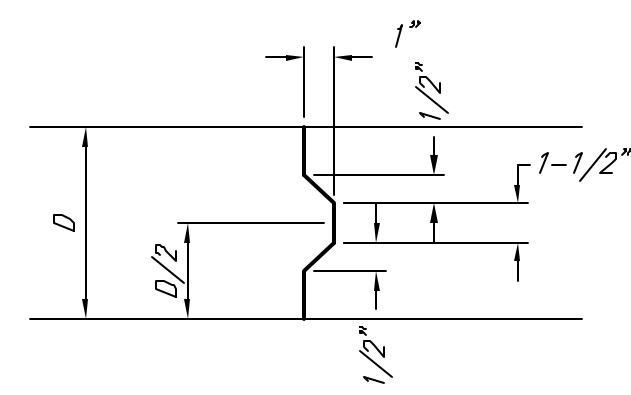
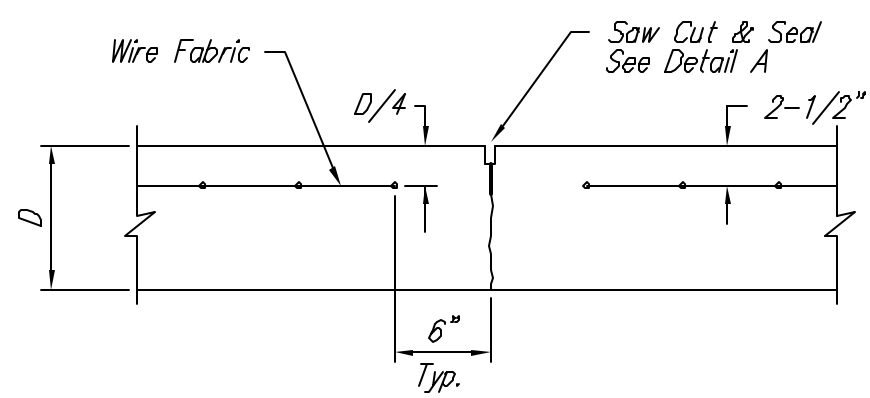


EXPANSION JOINT

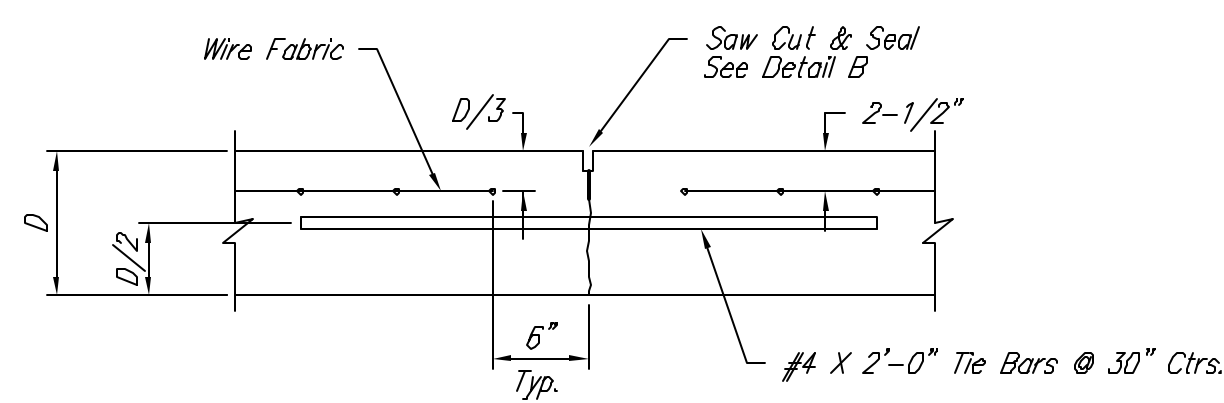
NOTE: Extra Thickness to be Subsidiary to Price of Square Yards Pavement



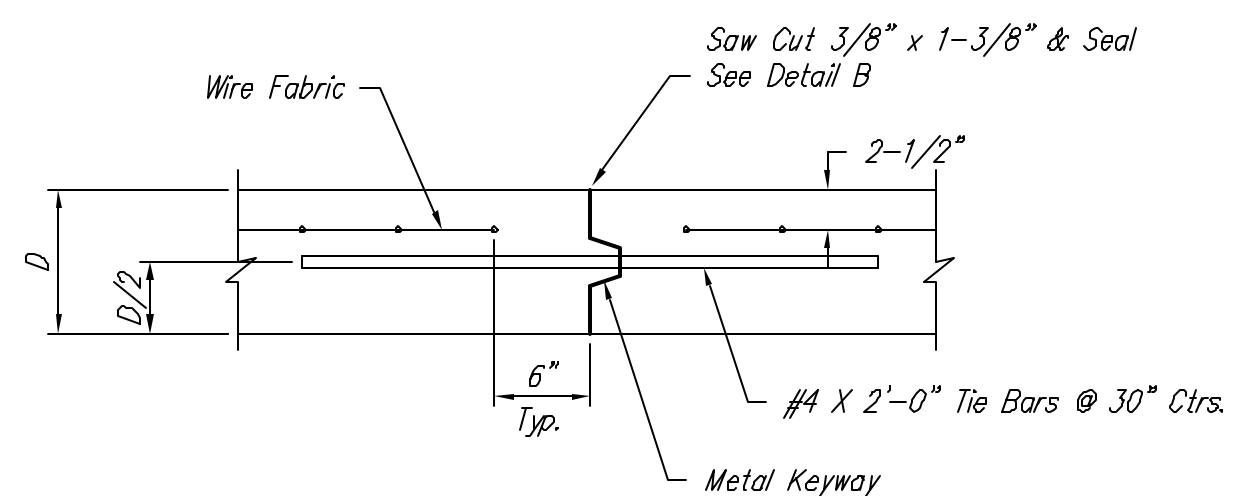
KEYWAY DETAIL



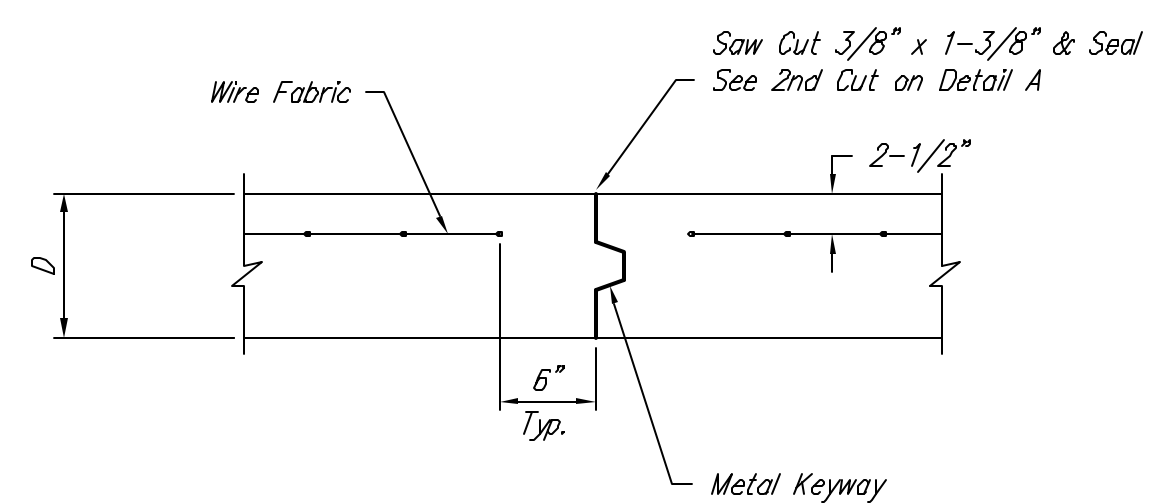
CONTRACTION JOINT DETAIL (C.J.)



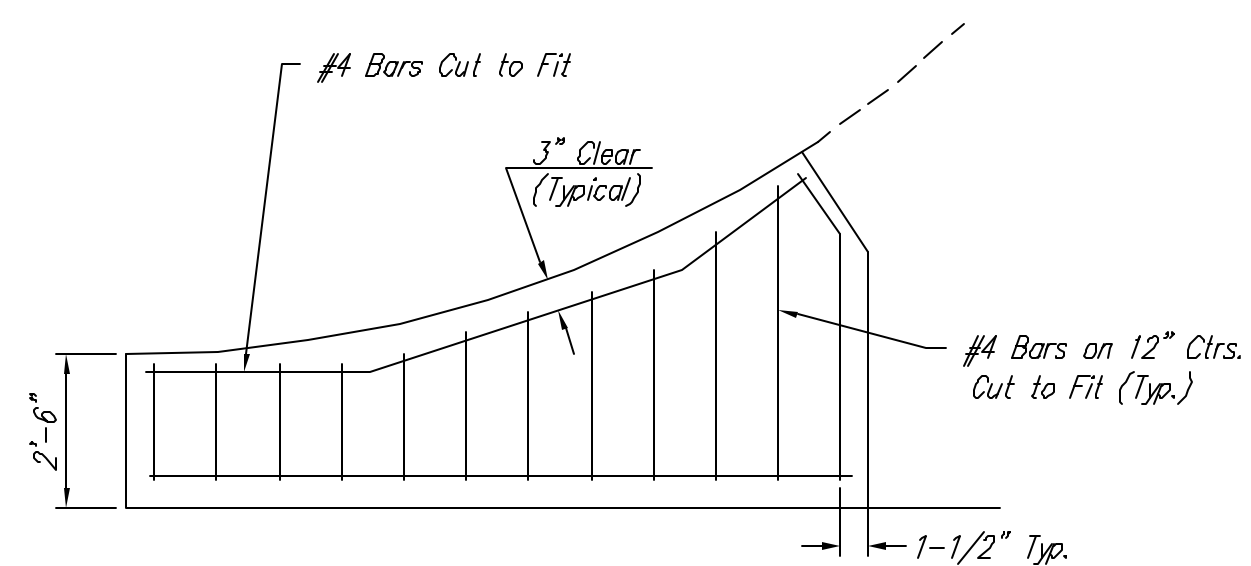
LONGITUDINAL JOINT DETAIL (L.J.)



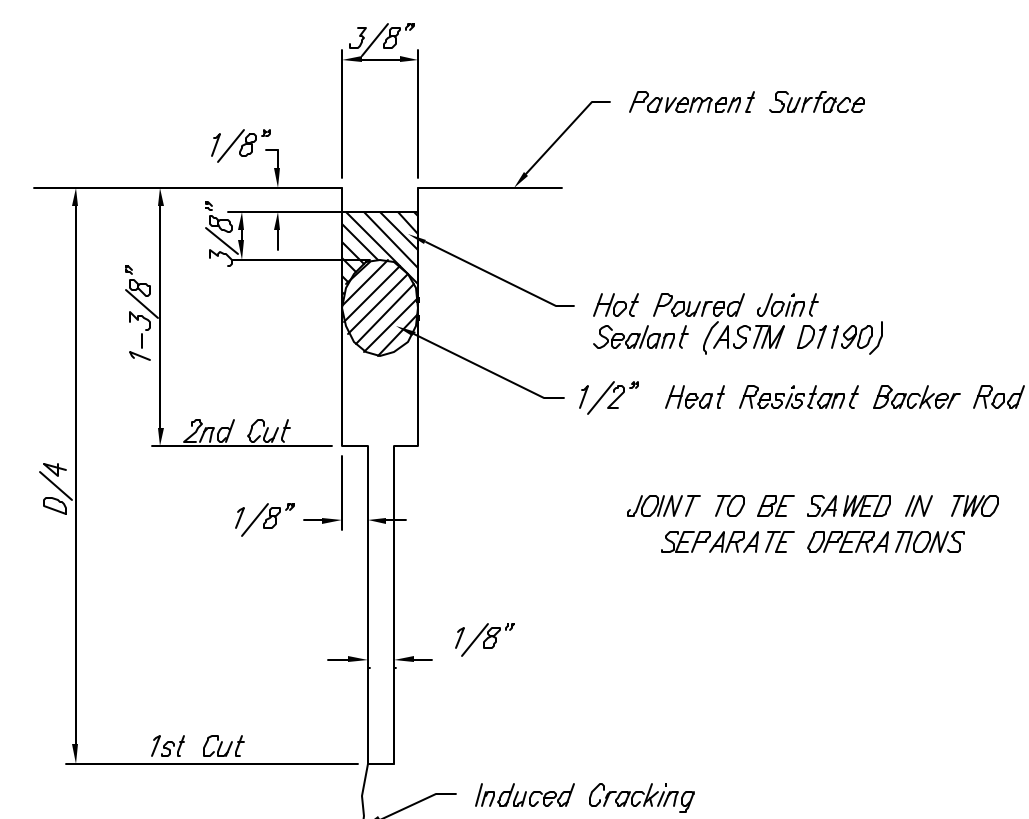
OPTIONAL LONGITUDINAL JOINT DETAIL (L.J.) (CONSTRUCTION JOINT)



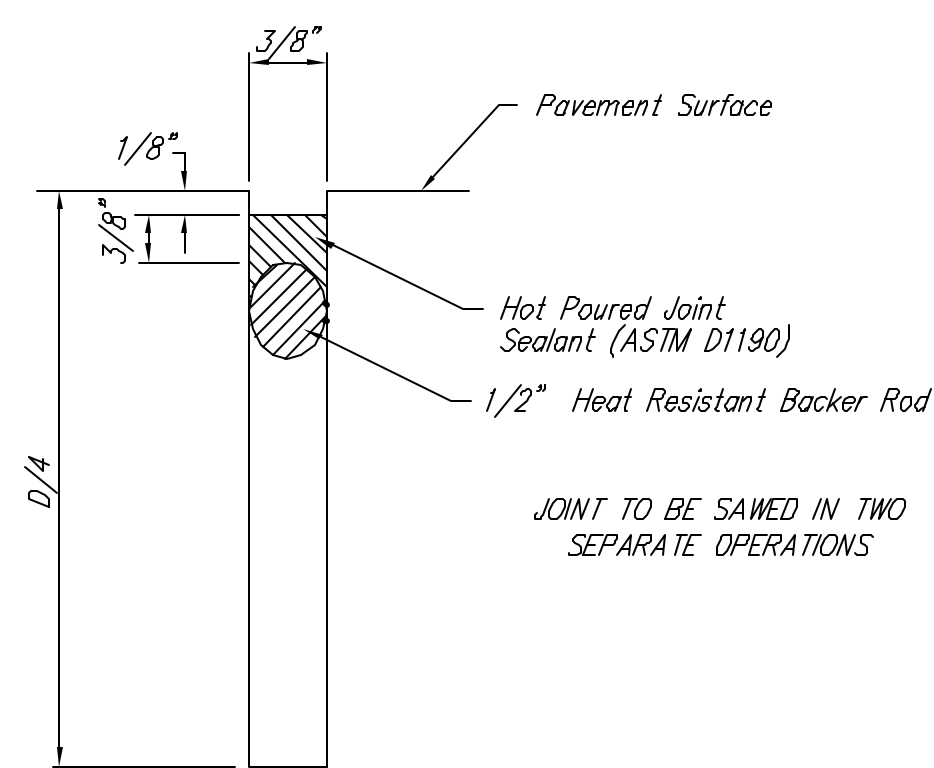
OPTIONAL CONTRACTION JOINT (CONSTRUCTION JOINT)



WING REINFORCING DETAIL

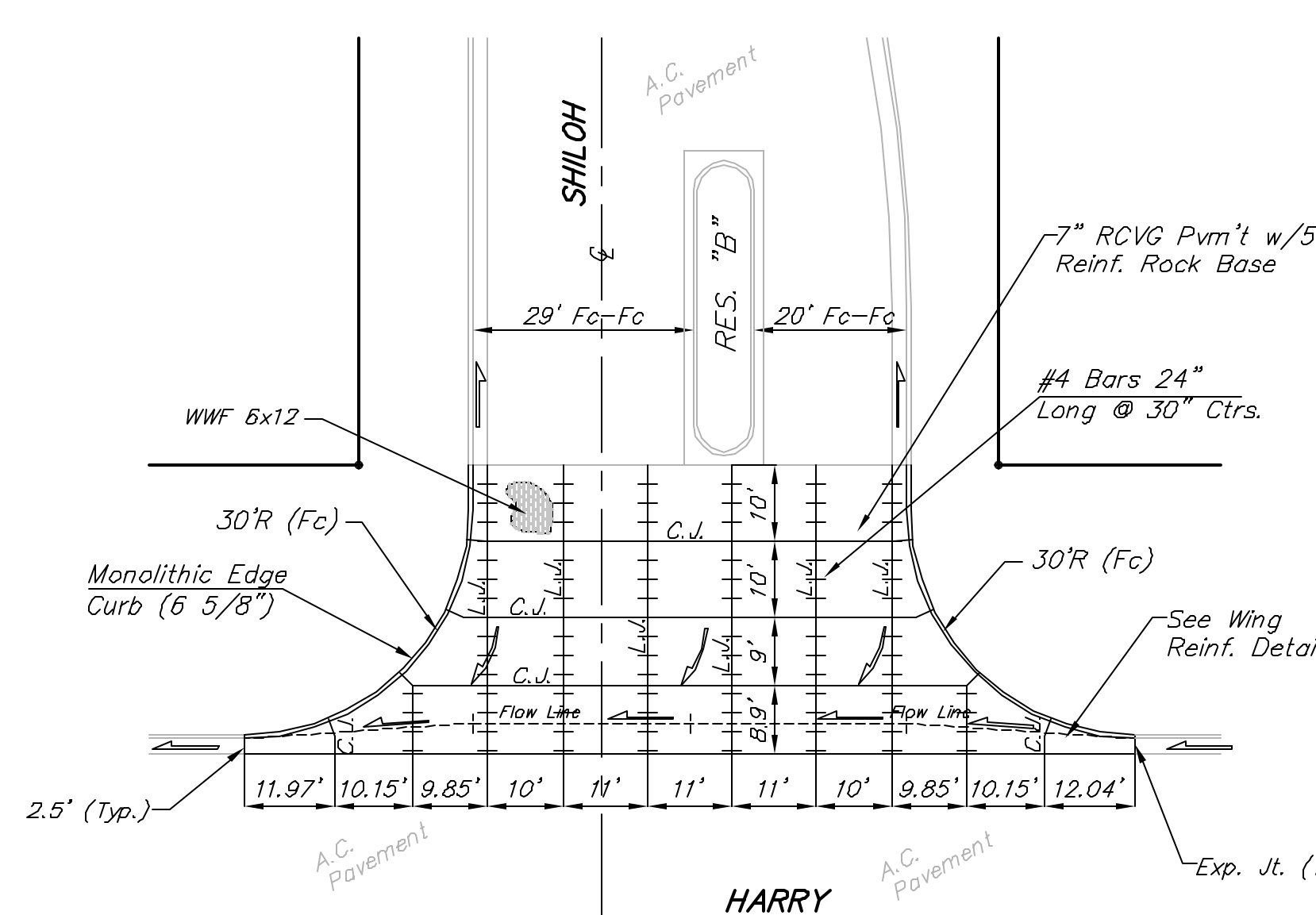
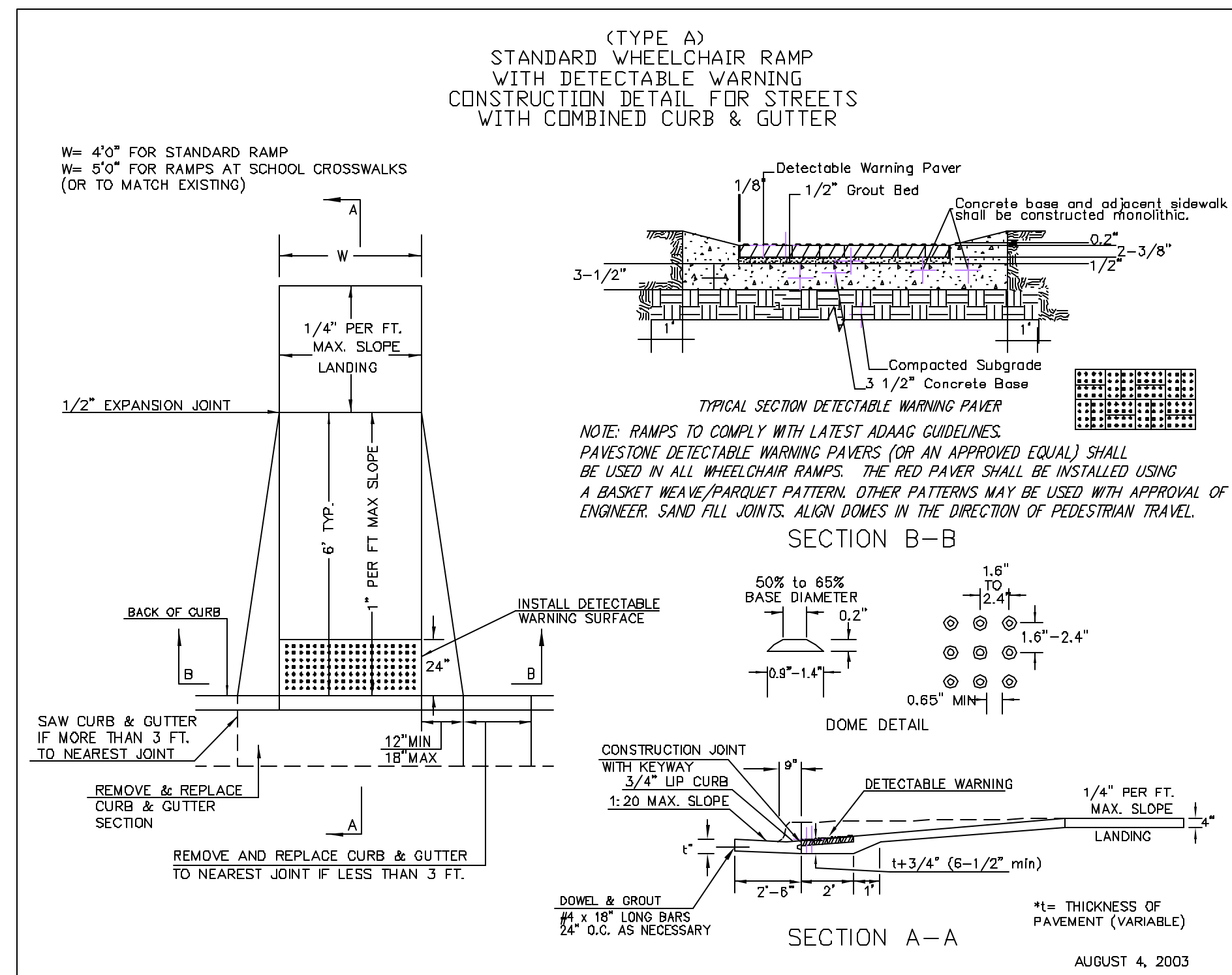


SAW JOINT DETAIL "A"

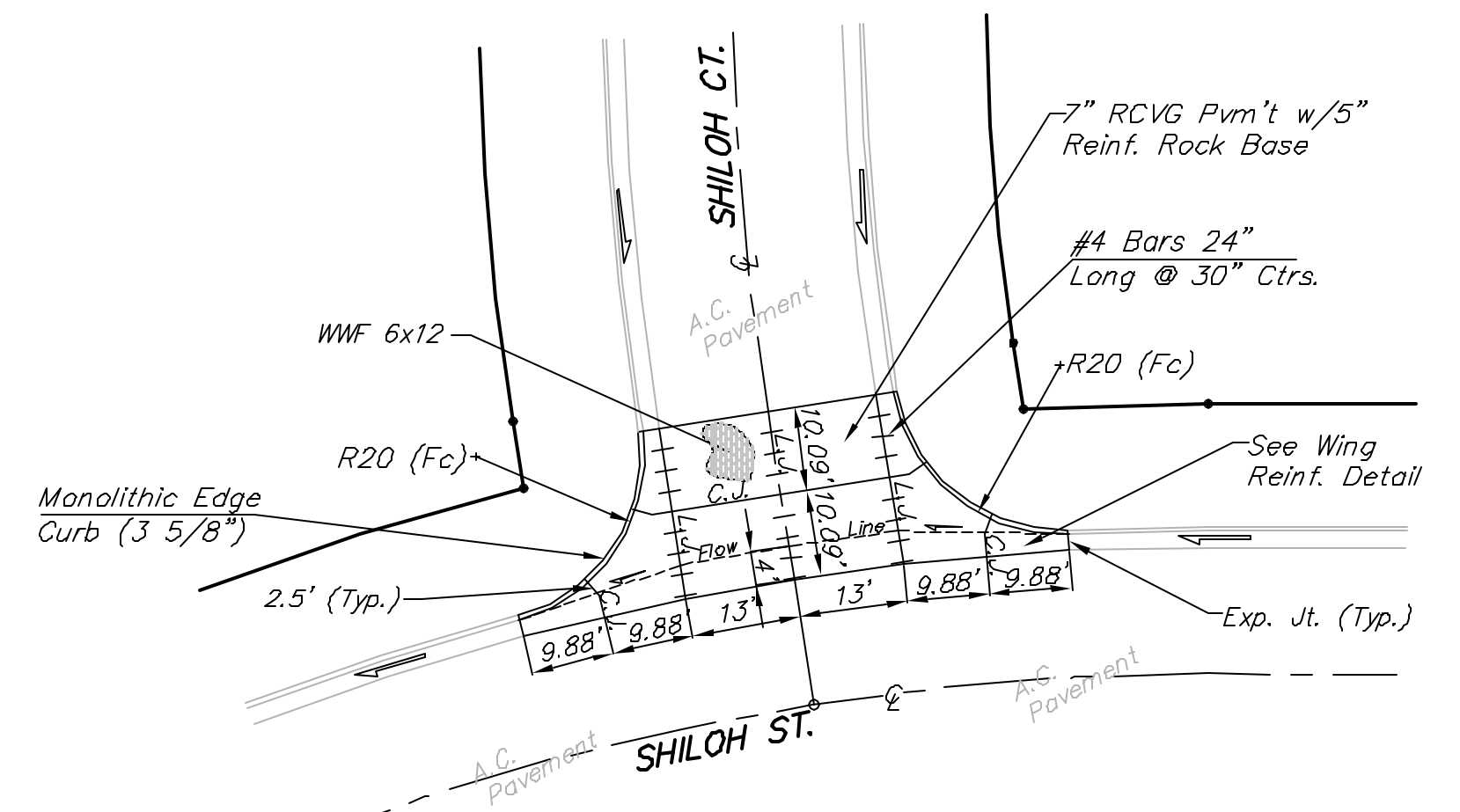


SAW JOINT DETAIL "B"

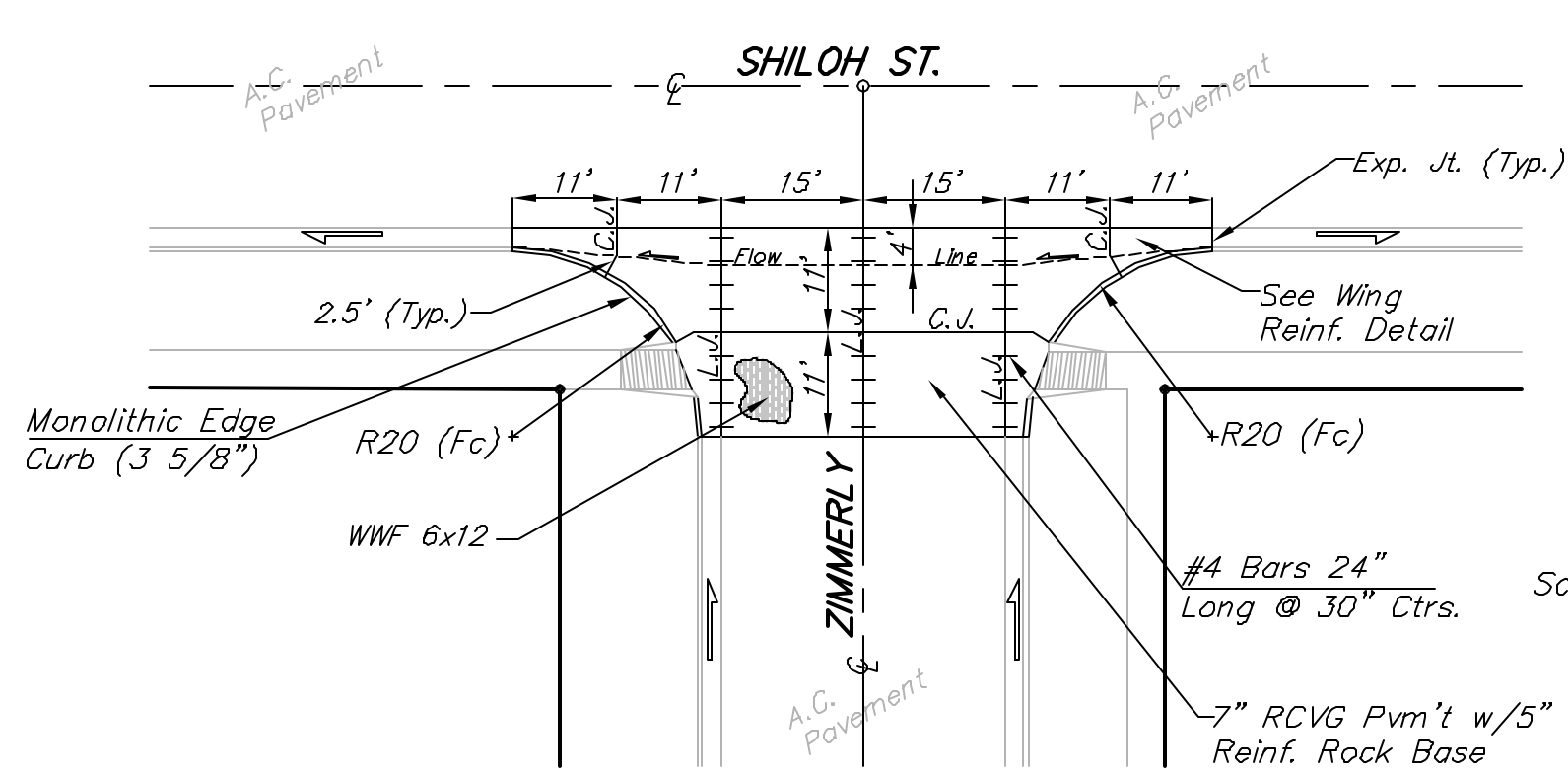
NOTE: 6" X 12" W4XW4 Wire Fabric Reinforcing Shall Be Placed So That The Wires With The 6" Spacing Will Run Parallel With The Longitudinal Joints.



Scale: 1" = 20' Horizontal



Scale: 1" = 20' Horizontal



Scale: 1" = 20' Horizontal

CRYSTAL CREEK ADDITION VALLEY GUTTER DETAILS

BAUGHMAN COMPANY P.A.
ENGINEERING, SURVEYING, & PLANNING
316-262-7271 • 315 ELLIS • WICHITA, KANSAS 67211

PROJECT NUMBER
472-83818

DESIGN STAFF DRAWN GNX APPROVED DATE 1/04 SCALE NONE SHEET 7 OF 57