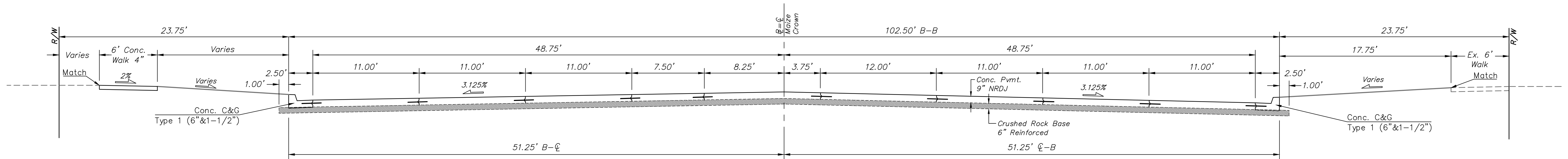
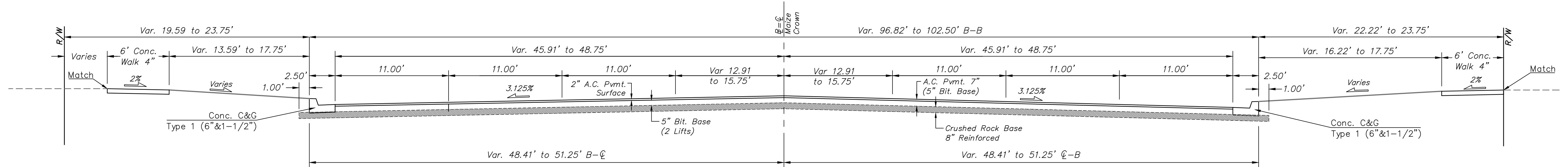


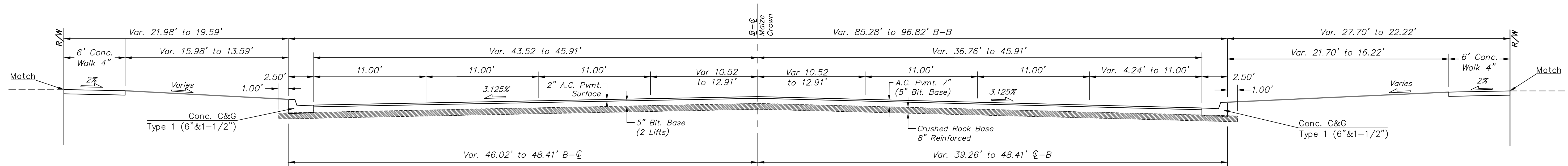
MAIZE ROAD
Station 48+00.00 to Station 48+83.19



MAIZE ROAD
Station 47+33.00 to Station 48+00.00



MAIZE ROAD
Station 46+66.50 to Station 47+35.00



MAIZE ROAD
Station 46+09.00 to Station 46+66.50

Drawing File: E:\Projects\21st & Maize-10-04-E492\Typical Paving Sections

Design: KEK
Drawn: JDM
Approved: T. Azicere
Scale: NONE

Project No. 10-04-E492 CAPITAL IMPROVEMENT PROJECT

PAVING TYPICAL SECTIONS

21st Street Maize Road

Baughman Company, P.A.
315 Ellis St. Wichita, KS 67211 P 316-263-7271 F 316-262-0149
ENGINEERING | SURVEYING | PLANNING | LANDSCAPE ARCHITECTURE

January, 2012

SHEET 8 OF 65