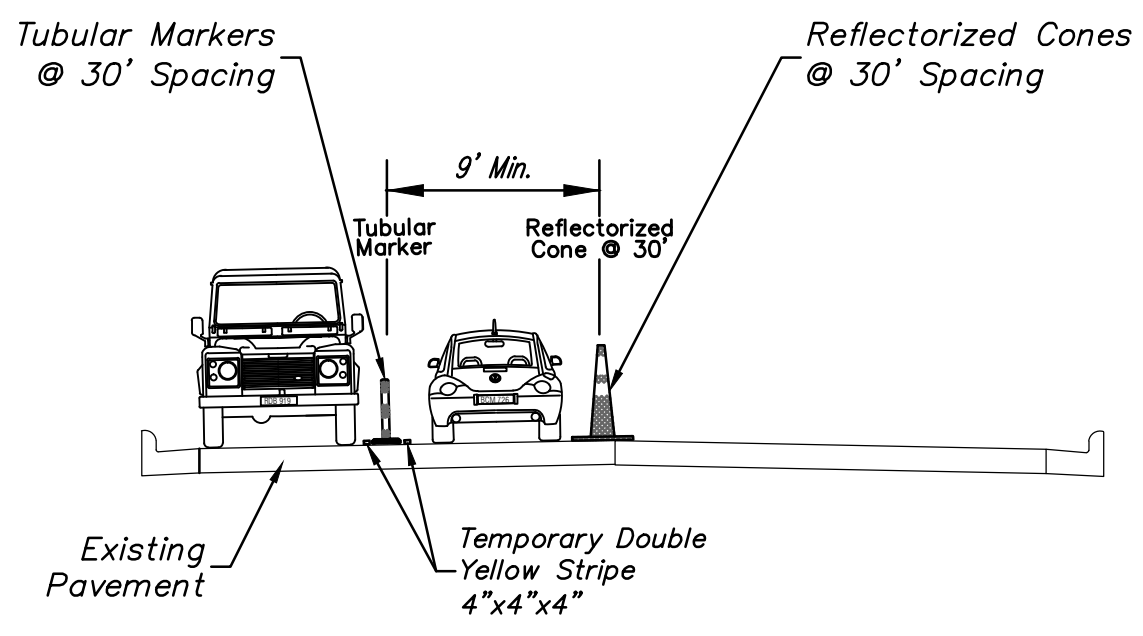
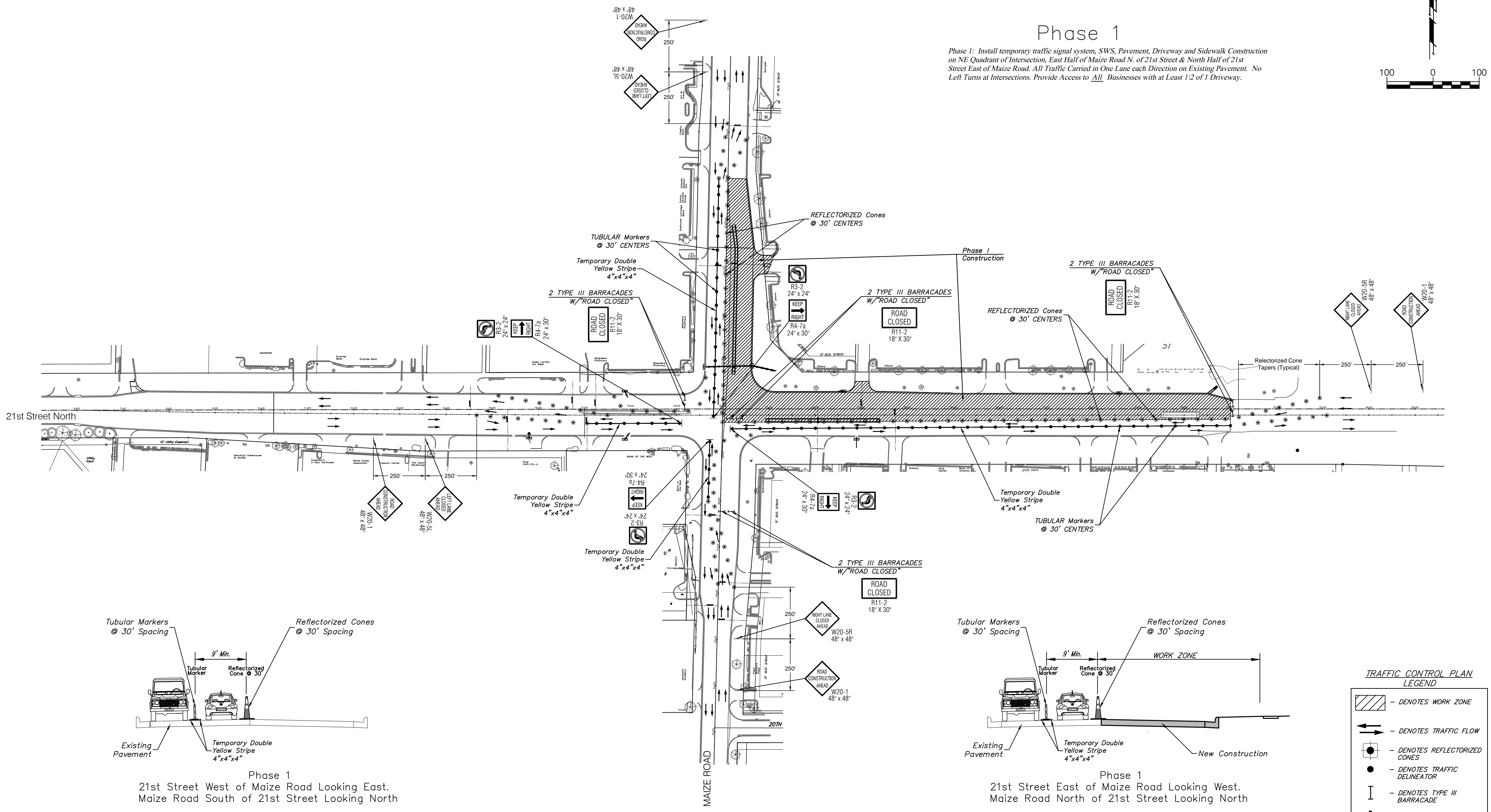
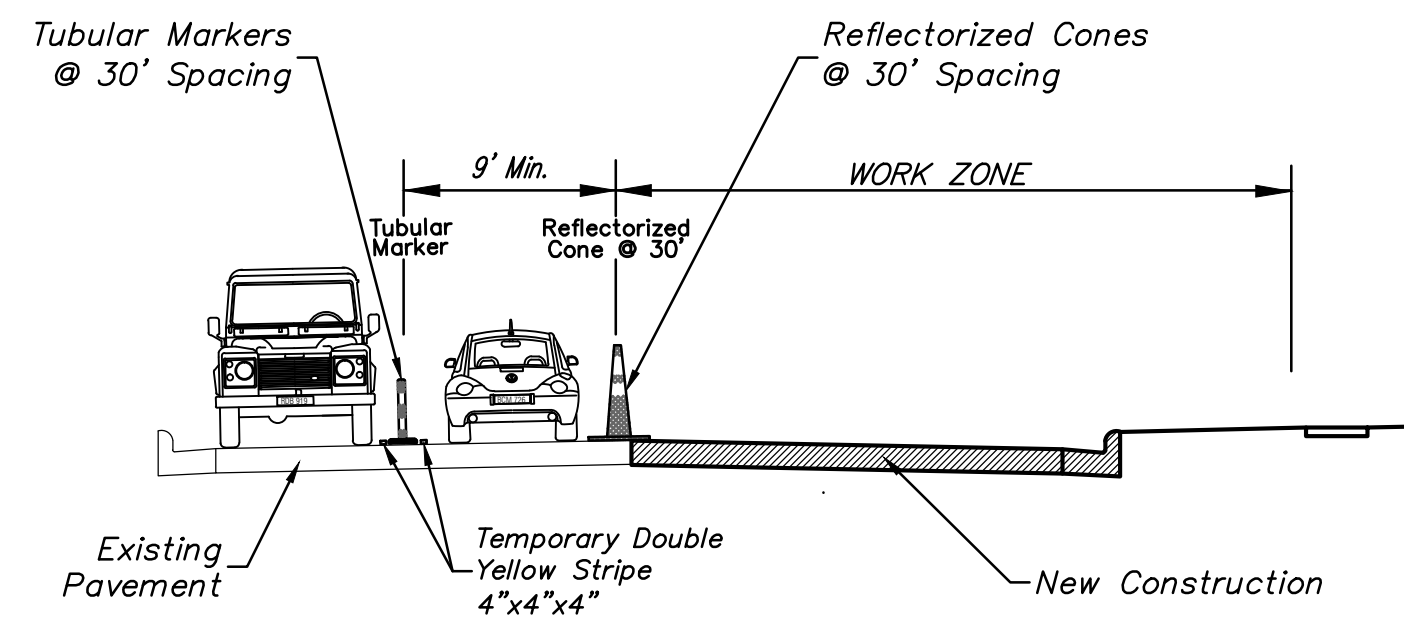


Phase 1

Phase 1: Install temporary traffic signal system, SWS, Pavement, Driveway and Sidewalk Construction on NE Quadrant of Intersection, East Half of Maize Road N. of 21st Street & North Half of 21st Street East of Maize Road. All Traffic Carried in One Lane each Direction on Existing Pavement. No Left Turns at Intersections. Provide Access to All Businesses with at Least 1/2 of 1 Driveway.



Phase 1
21st Street West of Maize Road Looking East.
Maize Road South of 21st Street Looking North



Phase 1
21st Street East of Maize Road Looking West.
Maize Road North of 21st Street Looking North

TRAFFIC CONTROL PLAN LEGEND

- DENOTES WORK ZONE
- DENOTES TRAFFIC FLOW
- DENOTES REFLECTORIZED CONES
- DENOTES TRAFFIC DELINEATOR
- DENOTES TYPE III BARRICADE
- DENOTES TRAFFIC SIGN

NO SCALE