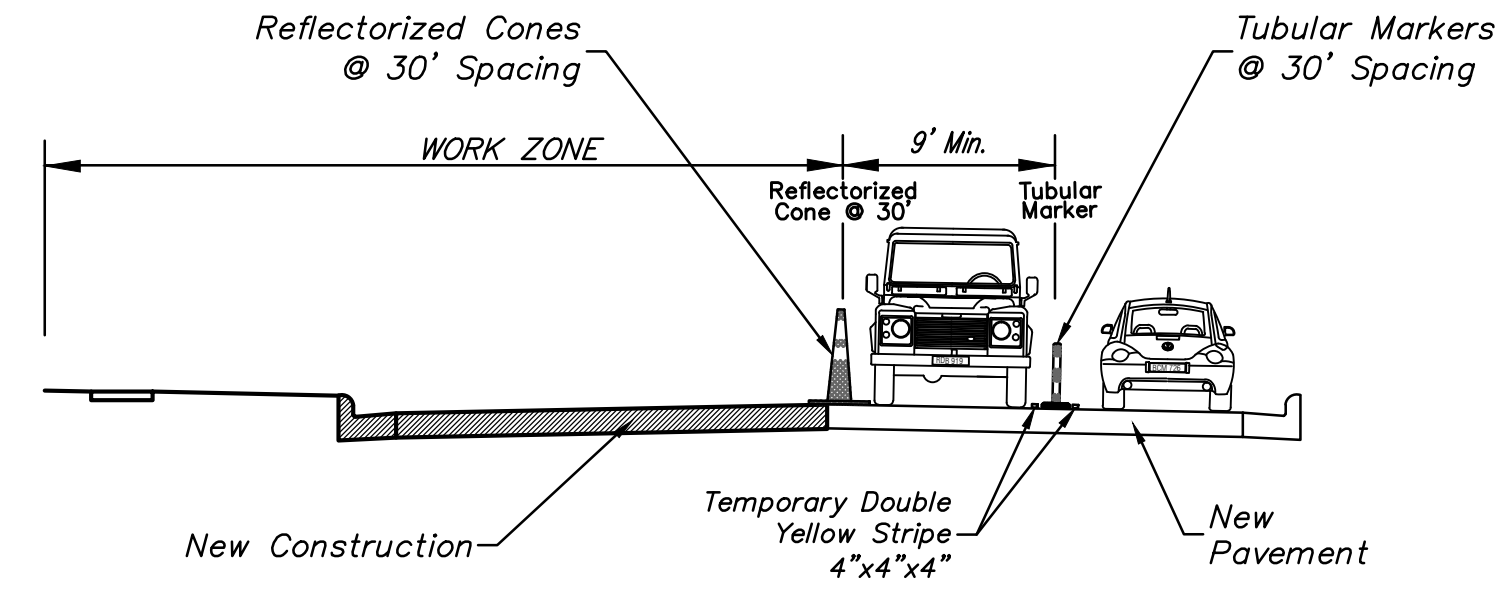
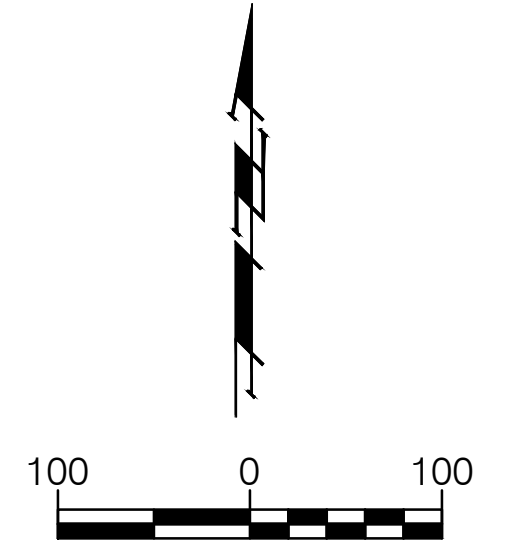
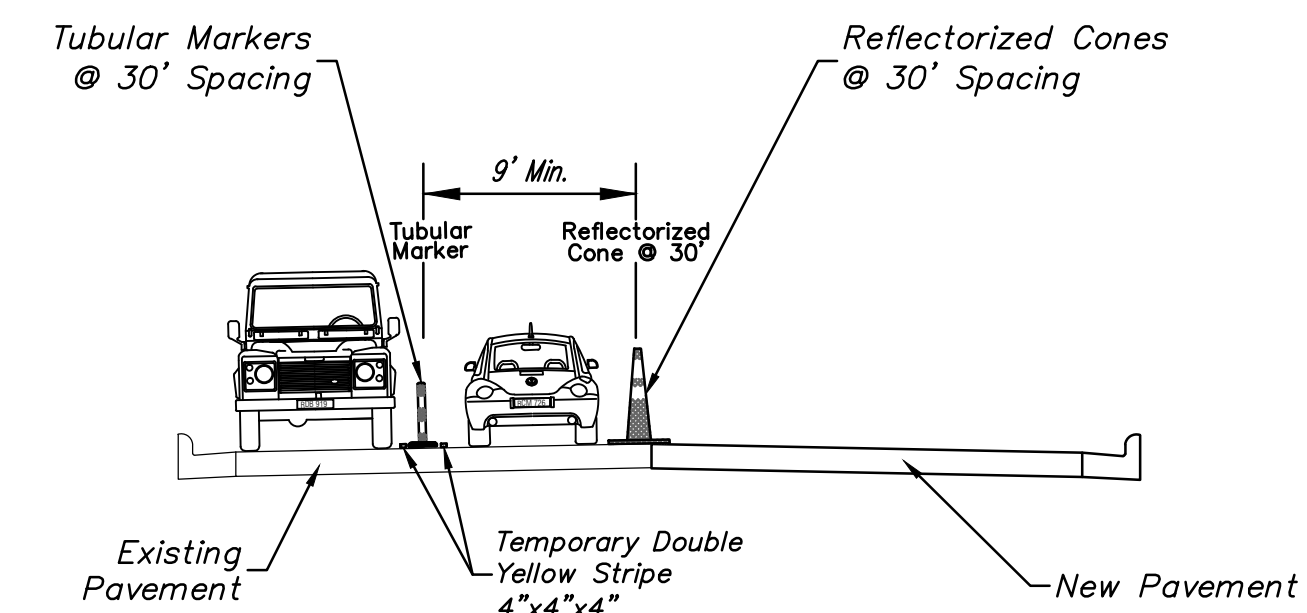


Phase 2

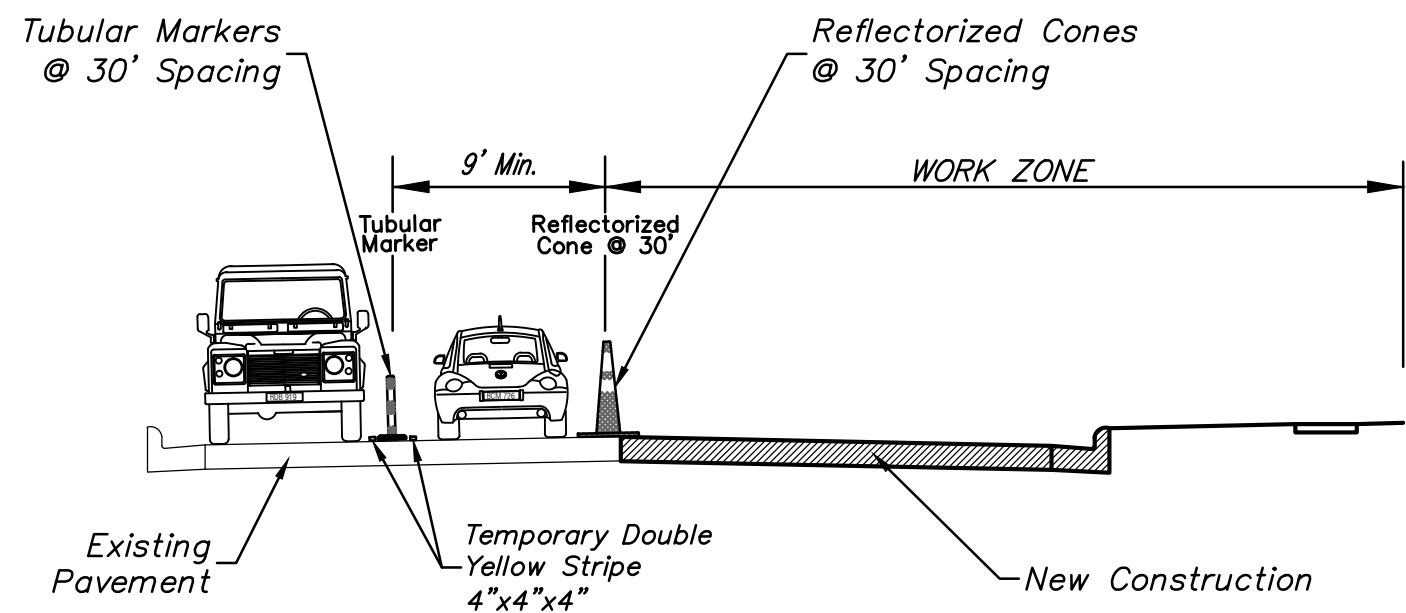
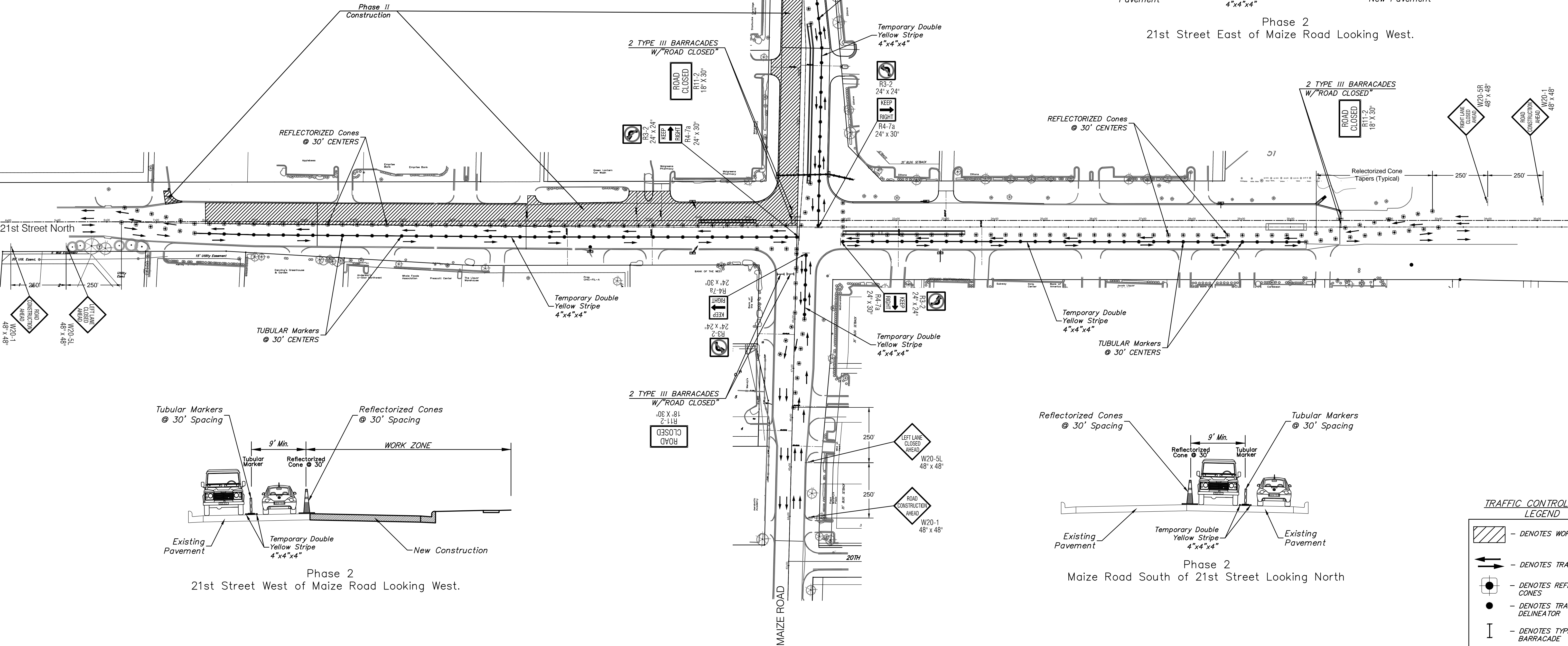
Phase 2: SWS, Pavement, Driveway and Sidewalk Construction on NW Quadrant of Intersection, West Half of Maize Road North of 21st Street & North Half of 21st Street West of Maize Road. All Traffic Carried in One Lane each Direction on Existing Pavement and New Pavement. No Left Turns at Intersections. Provide Access to All Businesses with at Least 1/2 of 1 Driveway.



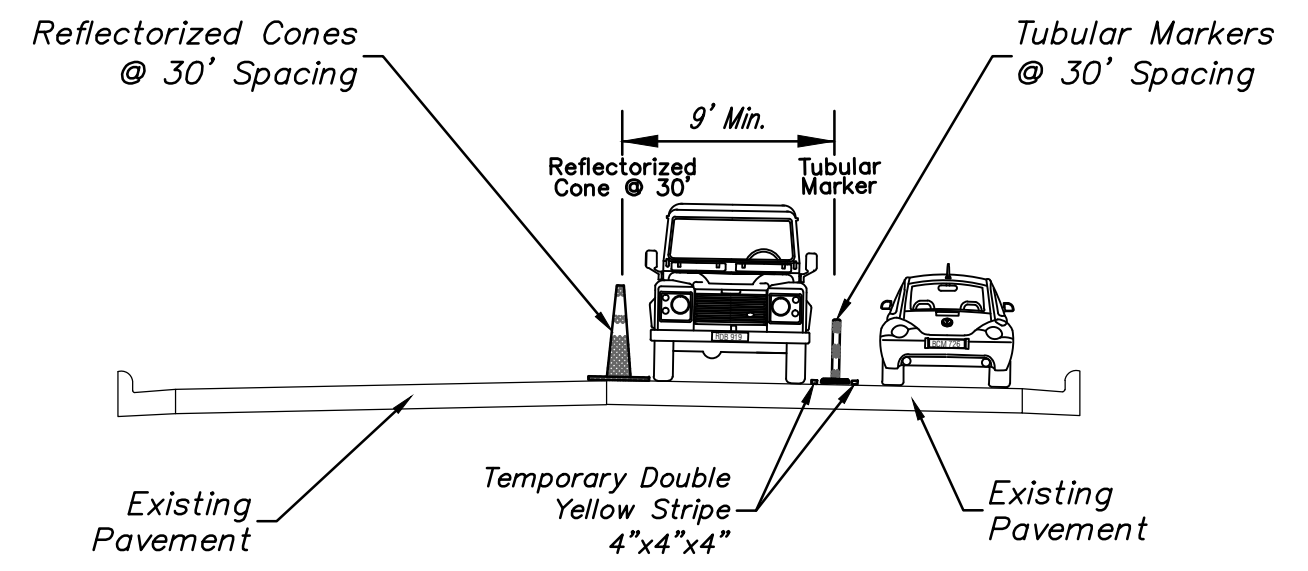
Phase 2
Maize Road North of 21st Street Looking North



Phase 2
21st Street East of Maize Road Looking West.



Phase 2
21st Street West of Maize Road Looking West.



Phase 2
Maize Road South of 21st Street Looking North

TRAFFIC CONTROL PLAN LEGEND

- DENOTES WORK ZONE
- DENOTES TRAFFIC FLOW
- DENOTES REFLECTORIZED CONES
- DENOTES TRAFFIC DELINEATOR
- DENOTES TYPE III BARRICADE
- DENOTES TRAFFIC SIGN

NO SCALE