

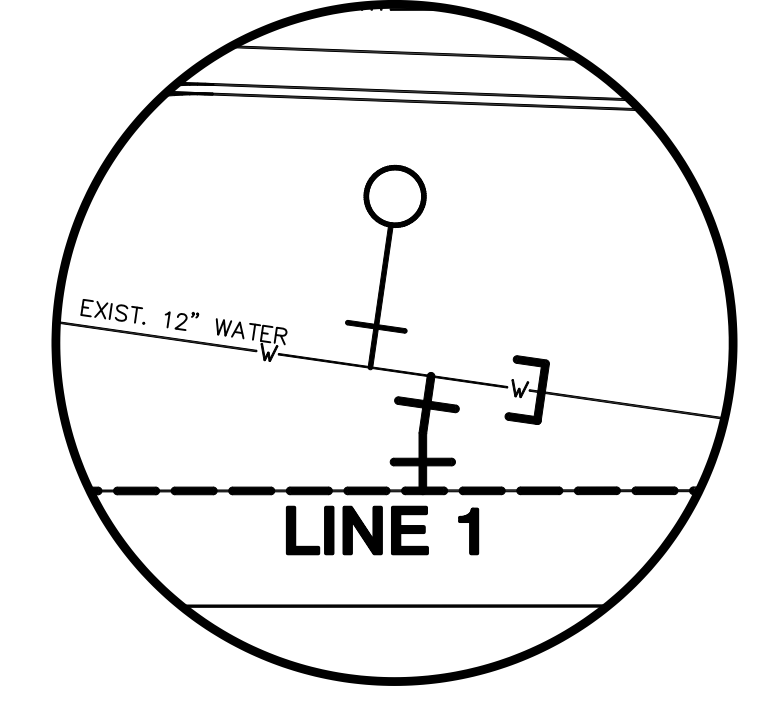
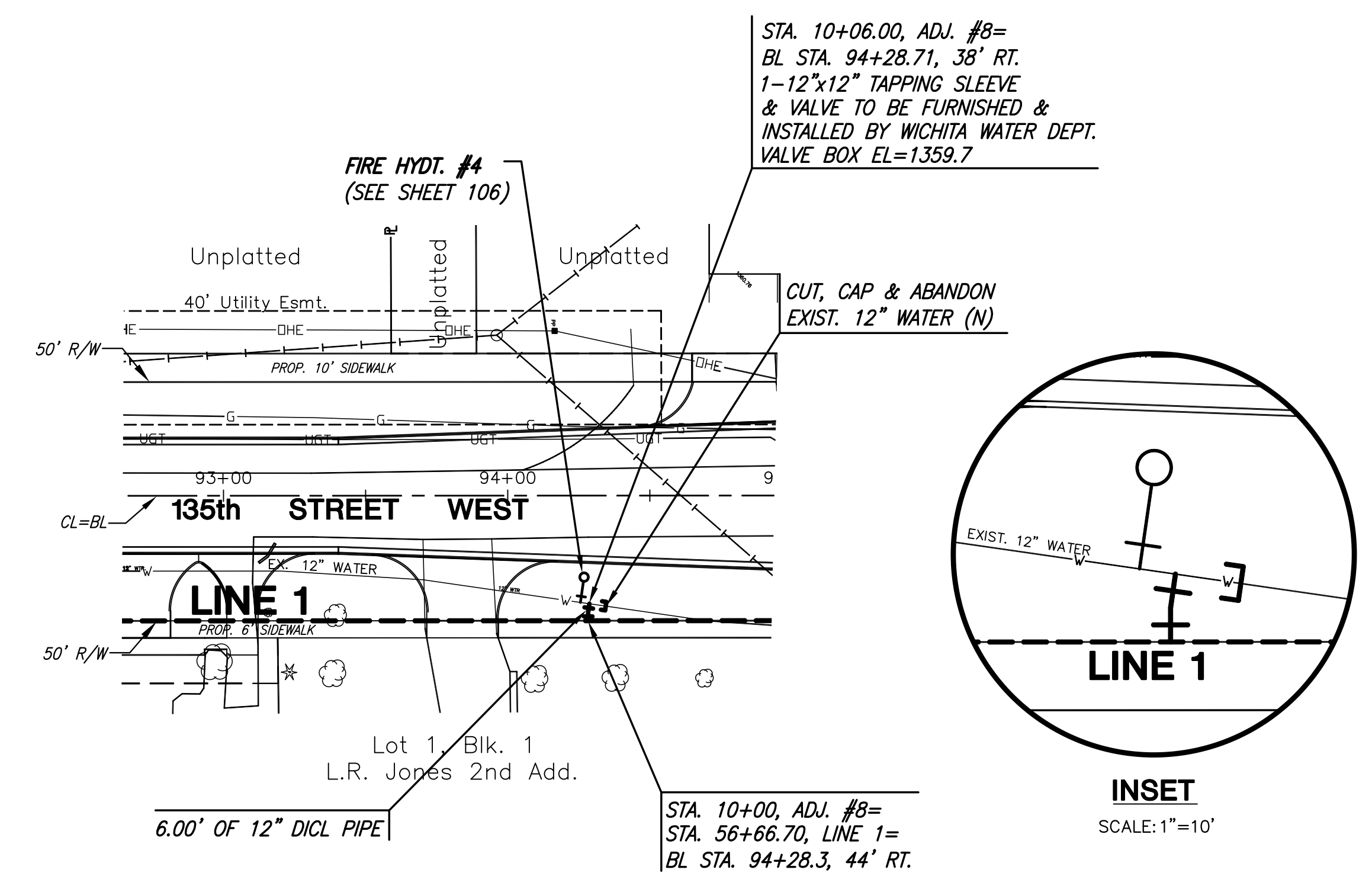
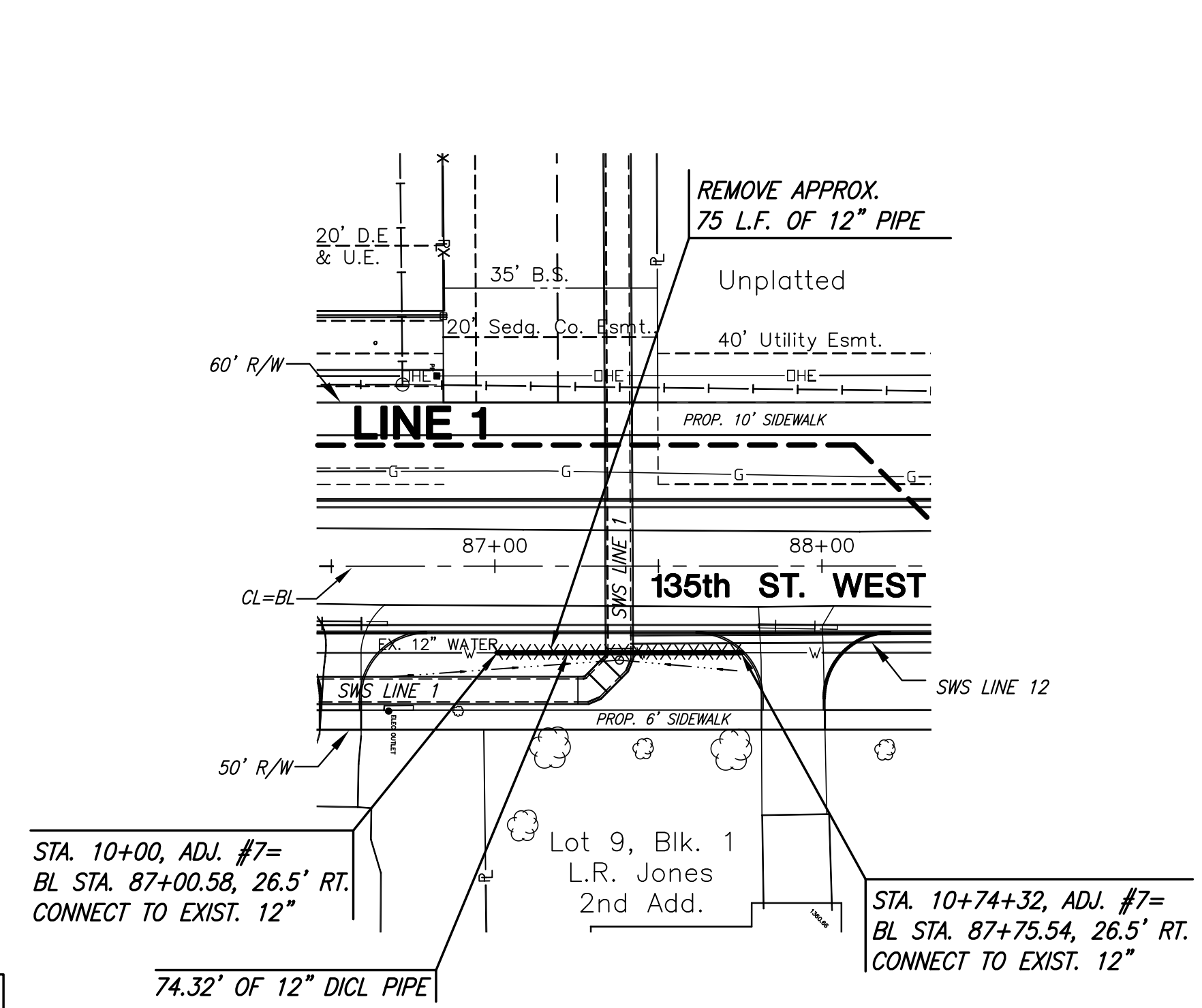
**STREET IMPROVEMENTS FOR  
135th Street West**  
from 13th Street to 21st Street North

**12" WATERLINE  
ADJUSTMENTS  
#7 - #8**  
SHEET TITLE  
MKEC PROJ #10265  
PROJECT NUMBER

DESIGN BY: JRA  
DRAWN BY: KKL  
CHECKED BY: JRA

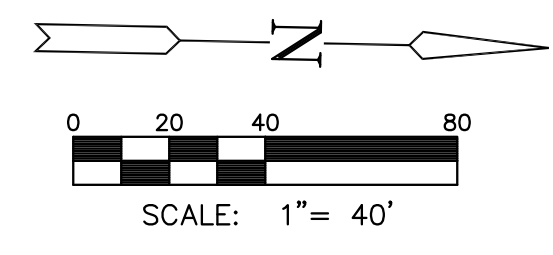
ISSUED: February 2012  
REVISED:

SHEET NO.  
**104 of 231**



**LEGEND**  
XXXXXXXX REMOVE EXIST.  
12" WATER LINE.

**NOTE:**  
CONTRACTOR TO VERIFY LOCATION OF  
EXISTING WATER LINES AND ALL OTHER  
UTILITIES PRIOR TO CONSTRUCTION.



**PLAN  
ADJUSTMENT #7**

**PLAN  
ADJUSTMENT #8**

