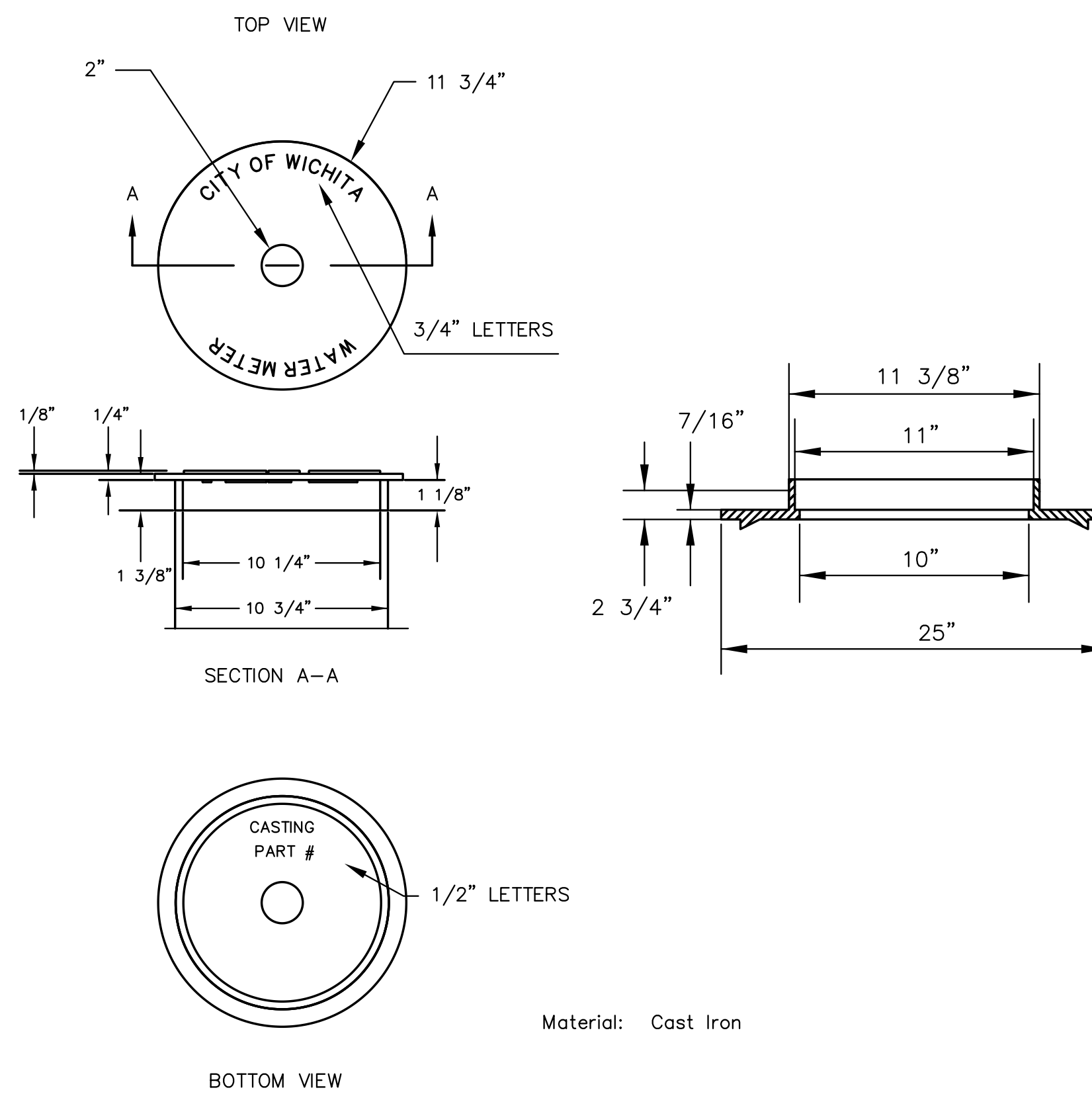
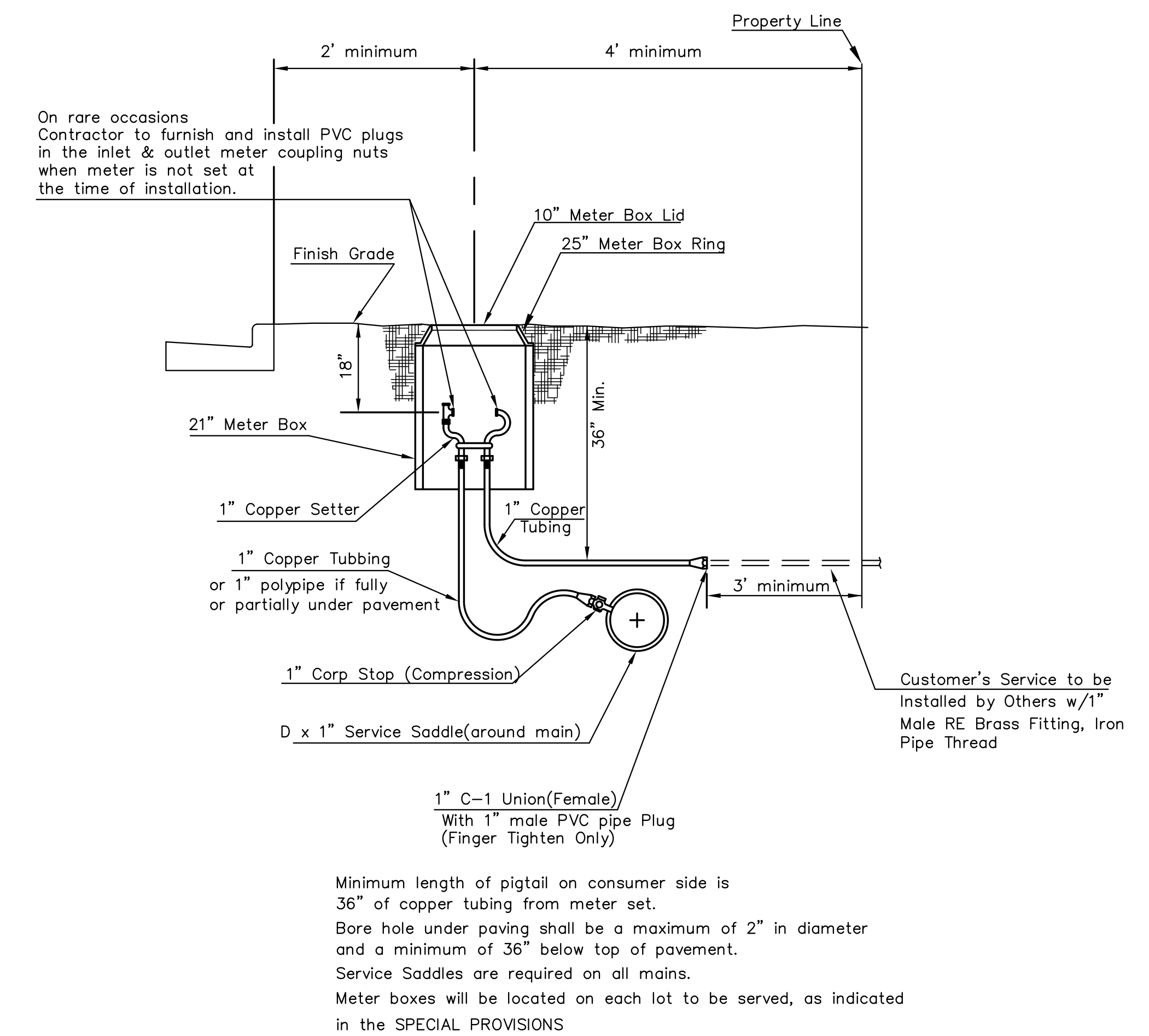


SERVICE TYPES

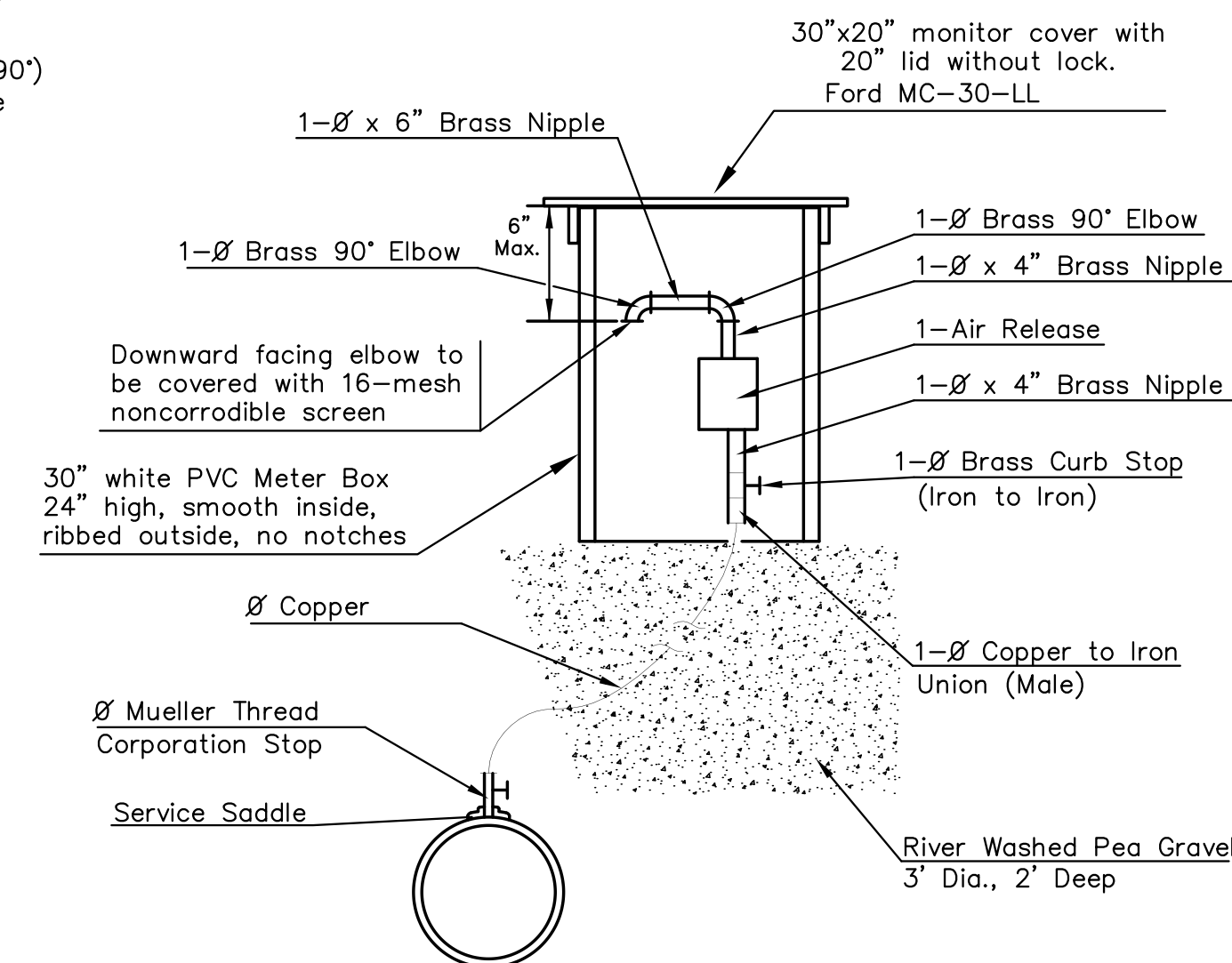


**NOT TRAFFIC RATED
RING & LID FOR 1" METER BOX**

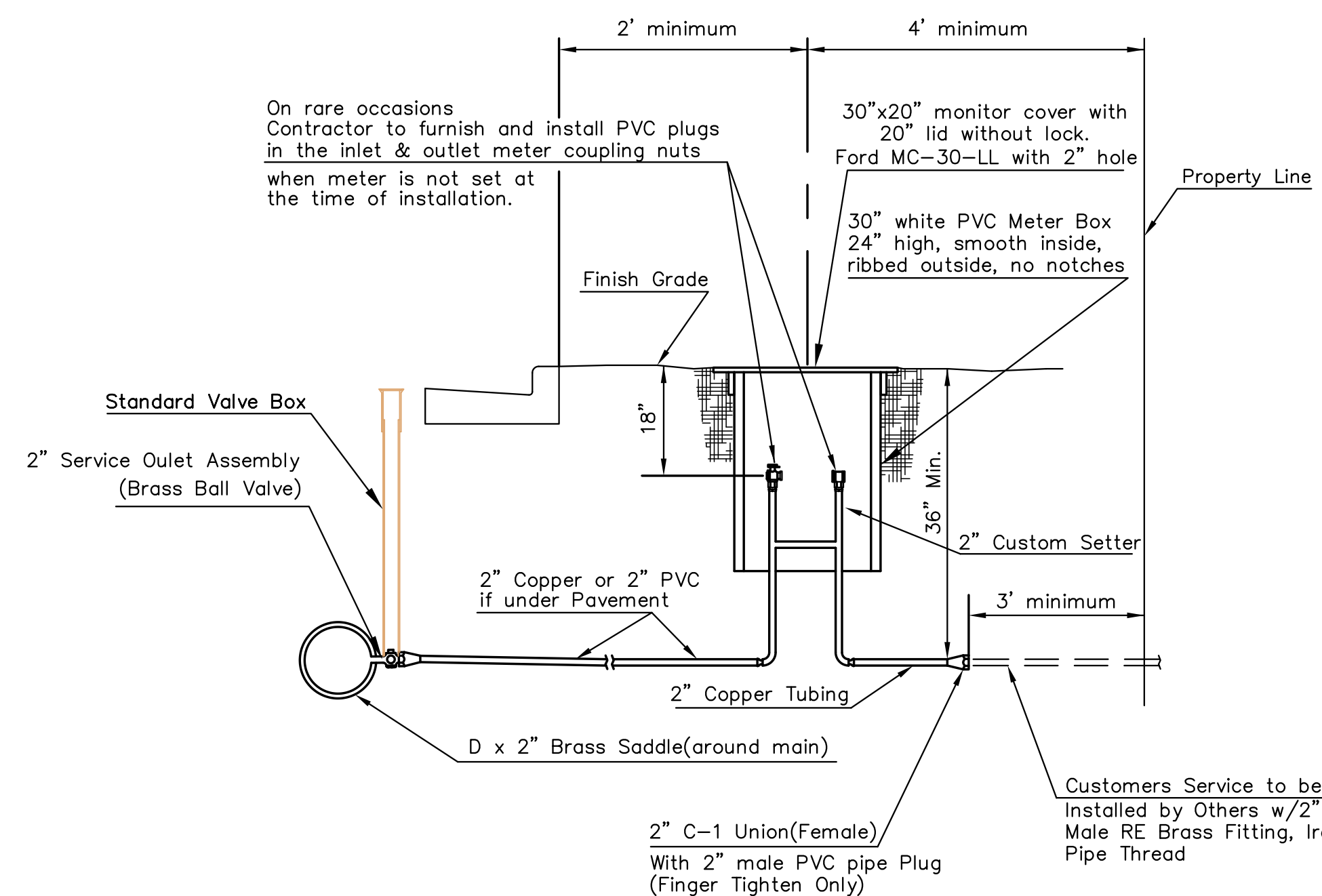


TYPICAL 1" METER SETTING

- 1 - Ø Mueller Thread Corporation Stop
- Ø Type "K" Copper Tubing
- 1 - Ø Copper to Iron Union (Male)
- 1 - Ø Brass Curb Stop (Iron to Iron)
- 2 - Øx4" Brass Nipple
- Air Release
- 2 - Ø Brass Elbows (90°)
- 1 - 1"x6" Brass Nipple
- 1 - 30" Monitor Cover
- 1 - 20" Meter Lid

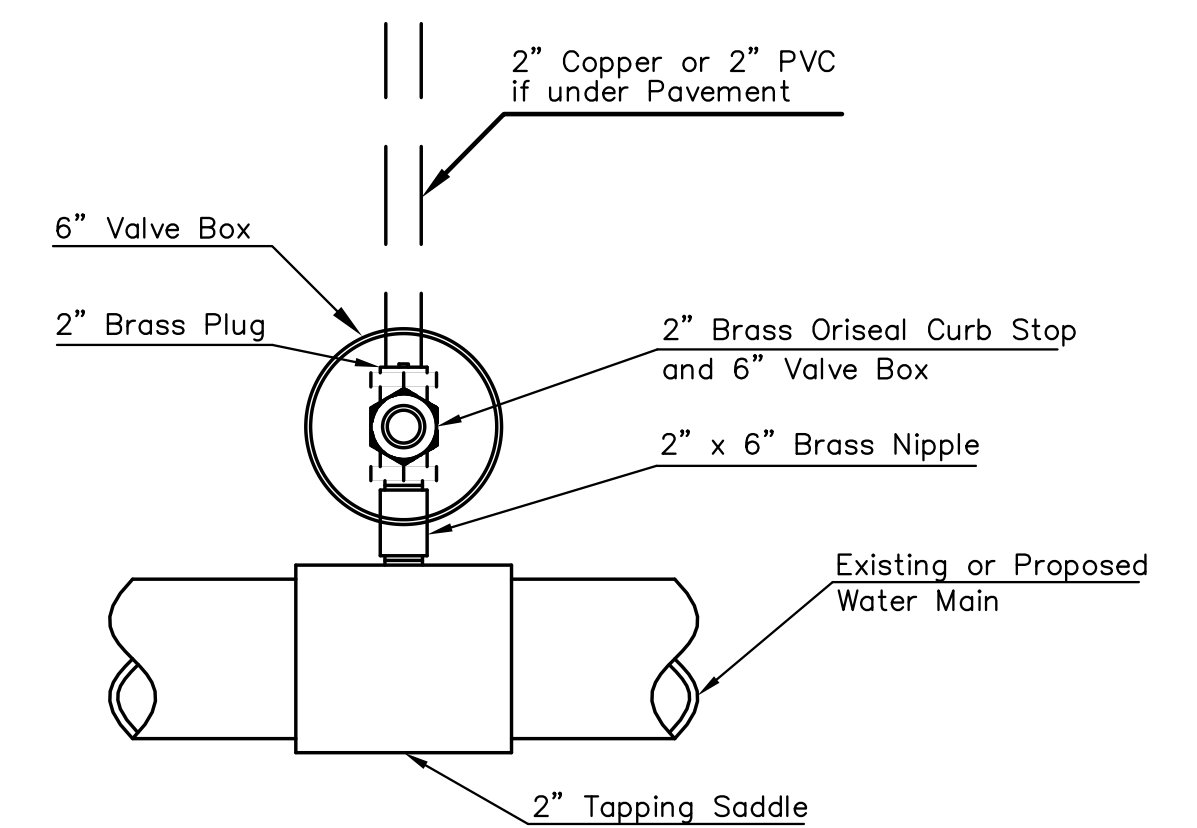


MATERIALS FOR 1" or 2" AIR RELEASE ASSEMBLY
Ø = 1" or 2"



TYPICAL 2" METER SETTING

Note: ONE VALVE STEM EXTENSION FOR EACH VALVE BURIED GREATER THAN 5'.



2" SERVICE OUTLET ASSEMBLY

<p>CITY OF WICHITA PUBLIC WORKS & UTILITIES ENGINEERING DIVISION</p>	STANDARD WATER SERVICE DETAIL		
	CITY ENGINEER JAMES L. ARMOUR, P.E., L.S.		
	PROJECT NUMBER 448-90546	OCA NUMBER 635805	DATE 12/2011
	CITY ENGINEER'S OFFICE CITY HALL - SEVENTH FLOOR 455 NORTH MAIN STREET WICHITA, KANSAS 67202-1620 (316) 268-4501		DESIGN DRAWN SHEET 108 of 231

J:\Civil\10265\DWG\WTR\10265_CD2.dwg