



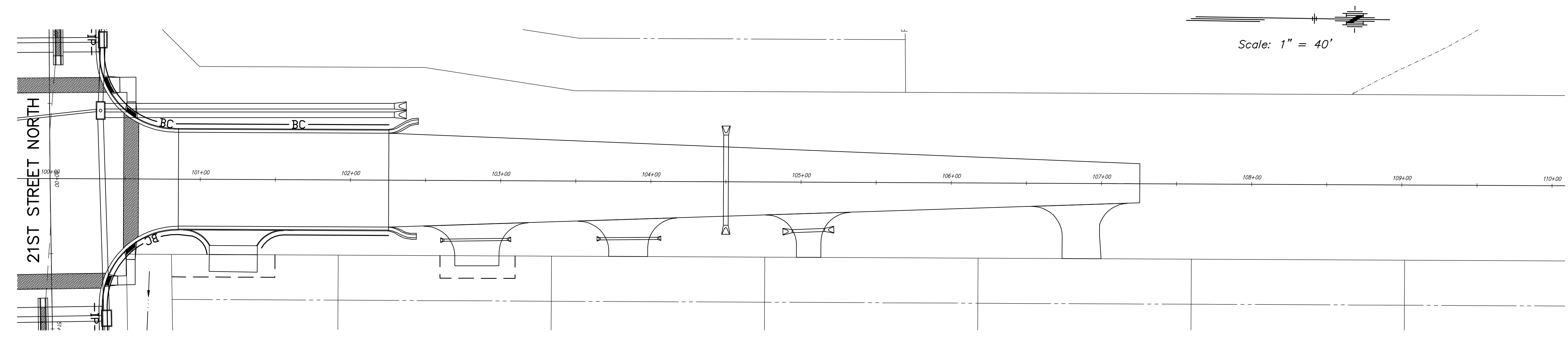
**STREET IMPROVEMENTS FOR**  
**135th Street West**  
from 13th Street to 21st Street North

**EROSION CONTROL PLAN**  
SHEET TITLE  
MKEC PROJ #10265  
PROJECT NUMBER

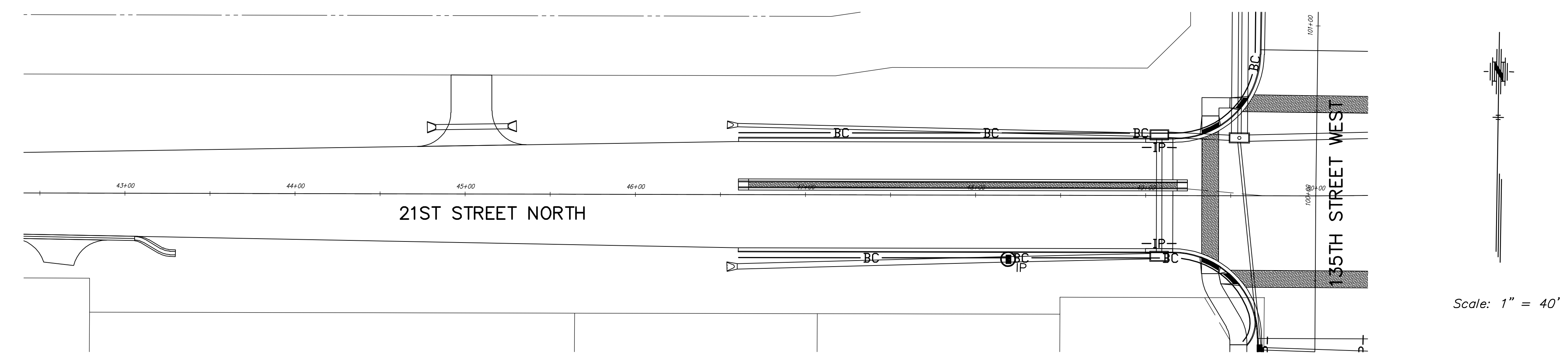
DESIGN BY: JRA  
DRAWN BY: DMU  
CHECKED BY: JRA

ISSUED: February 2012  
REVISED:

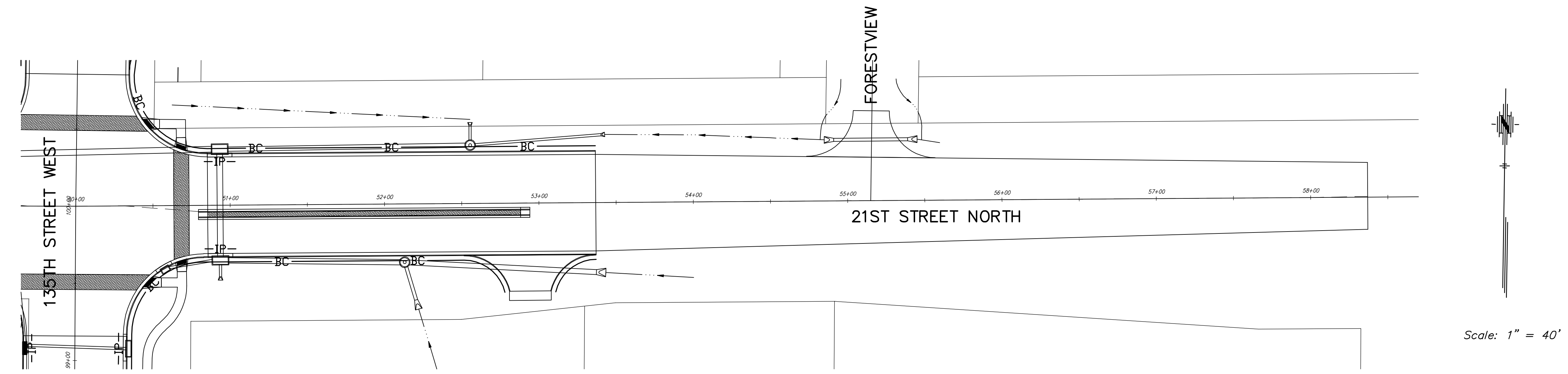
SHEET NO.  
**120 of 231**



135th STREET PLAN



21ST STREET PLAN



21ST STREET PLAN