



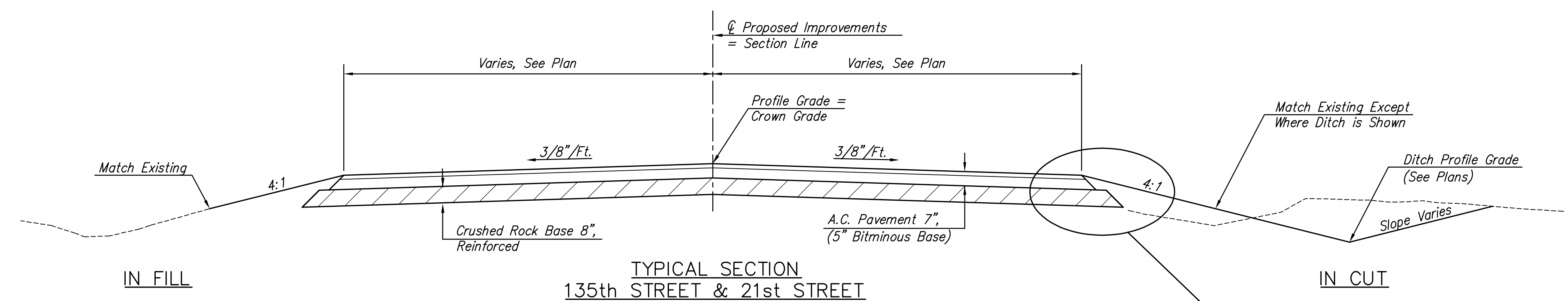
STREET IMPROVEMENTS FOR
135th Street West
from 13th Street to 21st Street North

TYPICAL SECTIONS
SHEET TITLE
MKEC PROJ #10265
PROJECT NUMBER

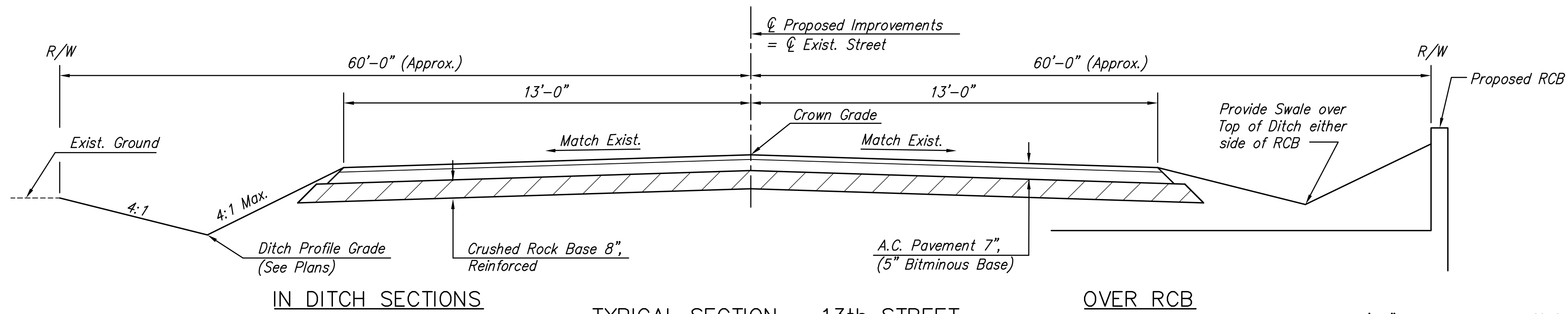
JRA
DESIGN BY
WNU
DRAWN BY
JRA
CHECKED BY

ISSUED
February 2012
REVISED

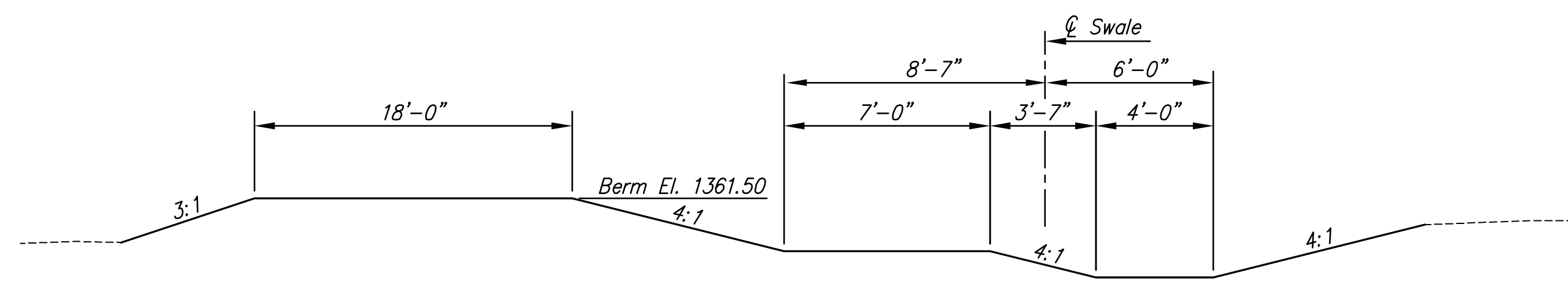
SHEET NO.
4 of 231



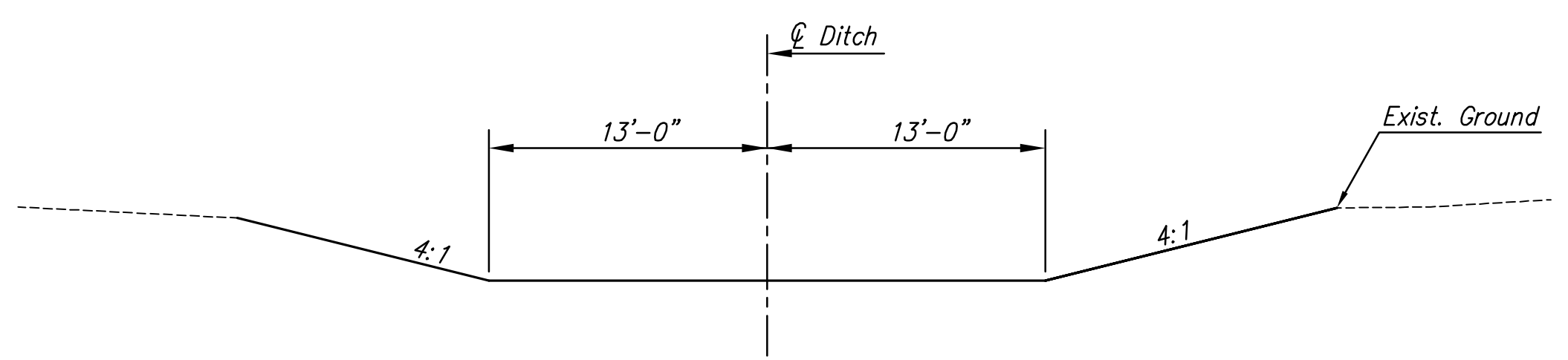
TYPICAL SECTION
135th STREET & 21st STREET
135th St. West:
Sta. 47+83.56 to Sta. 49+71.40
Sta. 102+25.48 to Sta. 107+25.48
21st St. North:
Sta. 42+65.96 to Sta. 47+65.96
Sta. 53+36.87 to Sta. 58+36.87



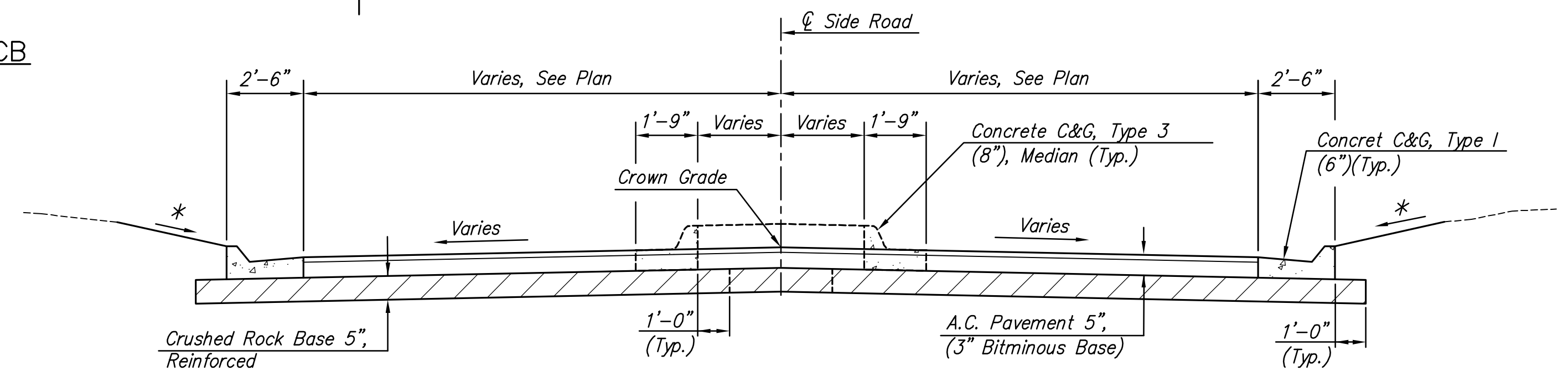
TYPICAL SECTION - 13th STREET
13TH ST. STA: 110+35.00 to 111+45.00



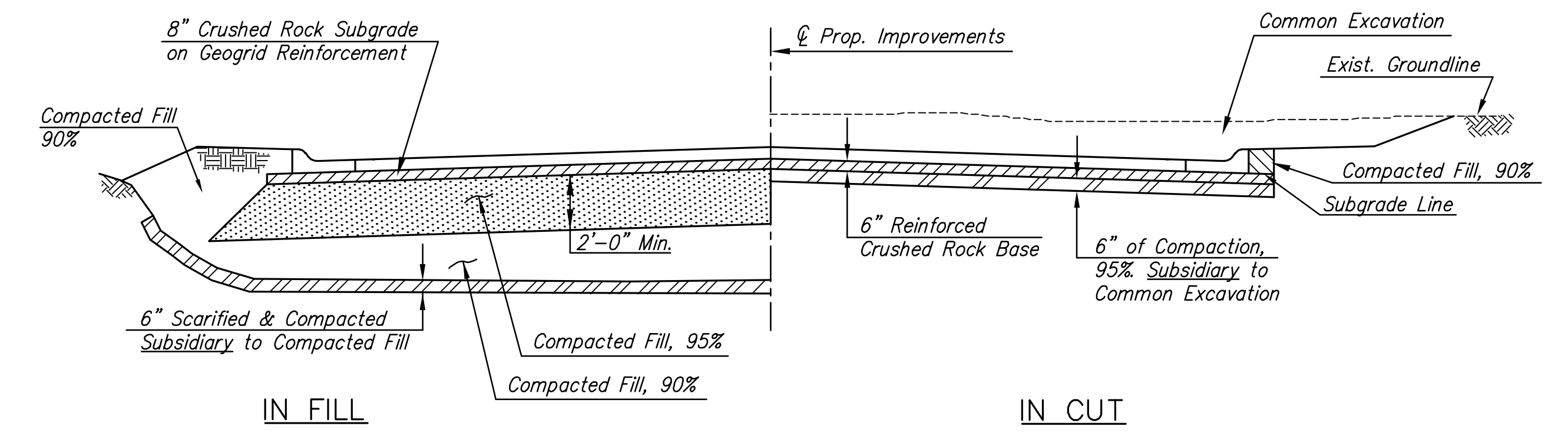
TYPICAL SECTION - SILVERTON SWALE
STORM LINE 1: Sta. 57+97.56 to Sta. 72+09.07



TYPICAL SECTION - BLATTNER DITCH
STORM LINE 27: Sta. 11+21.50 to Sta. 20+18.96



TYPICAL SECTION - SIDE ROADS
KIWI STREET: - Sta. 9+24.11 to Sta. 9+49.50 (No Median)
RIDGEPOINT STREET: - Sta. 18+23.00 to Sta. 19+49.50 (Median)
JAMESBURG STREET: - Sta. 28+54.50 to Sta. 29+49.50 (Median)
WILLOUGHBY DRIVE - Sta. 40+50.50 to Sta. 40+70.00 (No Median, No Curb, See Plan for Road Surface)



COMPACTION OF EARTHWORK

PLOTTED: Wednesday, February 22, 2012 @ 08:14AM

J:\Civil\10265\DWG\Title\10265-TS02